

Ersatzteilbuch Cobra RS125

- 2 Kühlung
- 3 Zylinderkopfabdeckung
- 4 Nockenwelle, Ventie, Zylinderkopf
- 5 Nockenwelle, Ventie, Zylinderkopf
- 6 Kettenspanner, Kette
- 7 Zylinder
- 8 Ölkühler, Kurbelgehäuseabdeckung rechts
- 9 Ölpumpe
- 10 Kickstarterarm, Kurbelgehäuseabdeckung links
- 11 Antrieb, Variomatik
- 12 Antrieb, Kupplung
- 13 Getriebe
- 14 Getriebe
- 15 Getriebe
- 16 Kurbelgehäuse
- 17 Kolben, Kurbelwelle
- 18 Luftfilter
- 19 Vergaser, Auspuff
- 20 Rahmen
- 21 Rammschutz
- 22 Aufhängung vorne, Trittbretter
- 23 Coverteile, Kotflügel
- 24 Sitz
- 25 Tank
- 26 Federbeine
- 27 Vorderreifen, Felgen vorne
- 28 Hinterreifen, Felgen hinten
- 29 Vorderbremse
- 30 Hinterbremse
- 31 Hinterbremse
- 32 Lenker, Spiegel
- 33 Hinterachse
- 34 Kette, Rammschutz unten
- 35 Lenkgestänge, Spurstangen
- 36 Lenkgestänge, Spurstangen
- 37 Frontlicht, Rücklicht
- 38 Frontlicht, Rücklicht
- 39 Starter, Lichtmaschine
- 40 Starter, Lichtmaschine
- 41 Elektrik
- 42 Elektrik
- 43 Aufkleber



Friedrich Epple GmbH

Im Erlengrund 1

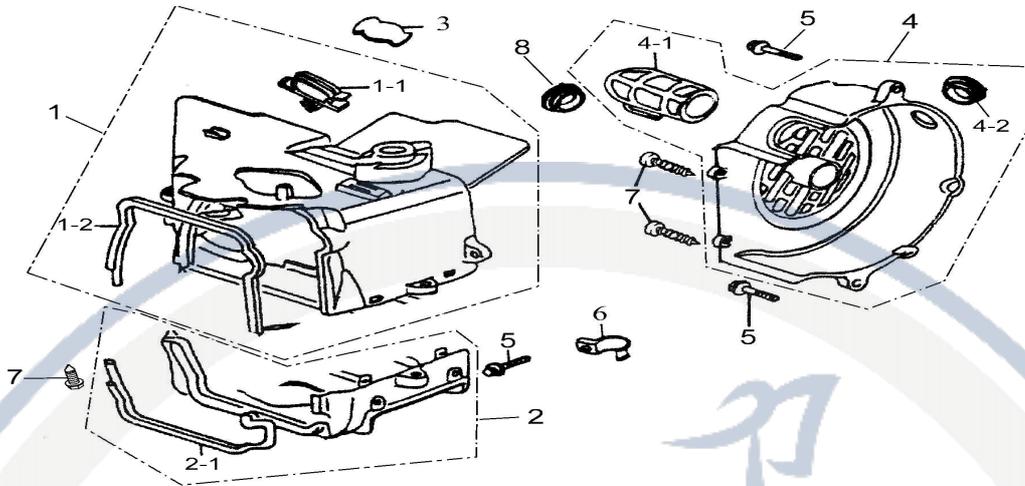
64678 Lindenfels, OT Eulsbach

Tel.: 06255 30030

E-Mail: info@motorroller.de

Web: www.motorroller.de

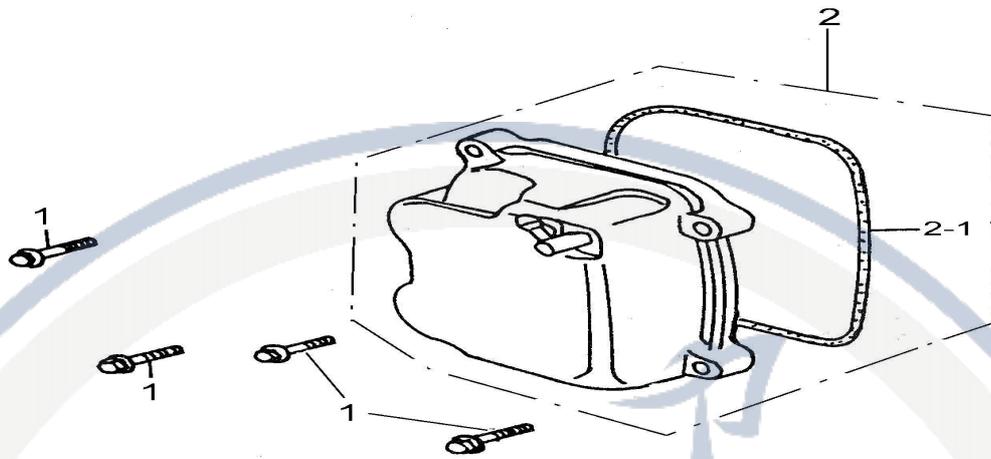
FAN COVER,SHROUD



| P/N | DESCRIPTION | PART NO. | Q'TY | REMARK |
|-------|-------------------------|----------------|------|--------|
| 1-1 | SHROUD - UPPER | 19623-119-000 | 1 | |
| 1-1-1 | BREATHER TUBE CLAMPER | 11384-119-000 | 1 | |
| 1-1-2 | SHROUD SEAL UPPER | 19635-119-000 | 1 | |
| 1-2 | SHROUD -LOWER | 19621-119-000 | 1 | |
| 1-2-1 | SHROUD SEAL-LOWER | 19625-119-000 | 1 | |
| 1-3 | RUBBER BUNG B | 19633-119-000 | 1 | |
| 1-4 | FAN COVER ASS'Y | 19610-119-000 | 1 | |
| 1-4-1 | CARBURETOR COOLING DUCT | 19615-119-000 | 1 | |
| 1-4-2 | RUBBER BUNG | 17529-119-000 | 1 | |
| 1-5 | HEX FLANGE | 96000-06025-8C | 3 | M6'25 |
| 1-6 | CLAMPER CARB DRAIN TUBE | 11353-119-000 | 1 | |
| 1-7 | CROSS TAPPING SCREW | 93904-05016-K | 4 | 5'16 |
| 1-8 | RUBBER CAP | 19611-156-000 | 1 | |

Motorroller.de
 - seit 1993 -

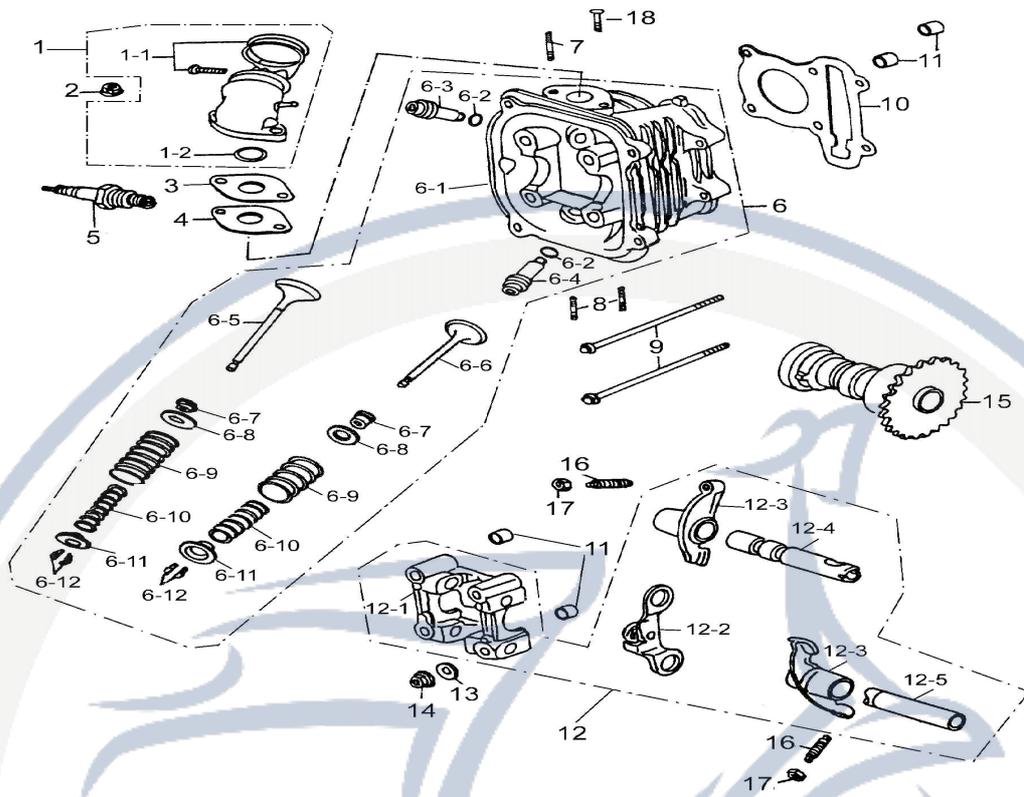
CYLINDER HEAD COVER



| P/N | DESCRIPTION | PART NO. | Q'TY | REMARK |
|-------|----------------------------|----------------|------|--------|
| 2-1 | HEX FLANGE BOLT | 96000-06025-8C | 4 | M6'25 |
| 2-2 | CYLINDER HEAD COVER ASS'Y | 12310-119-000 | 1 | |
| 2-2-1 | CYLINDER HEAD COVER GASKET | 12391-119-000 | 1 | |

Motorroller.de
 - seit 1993 -

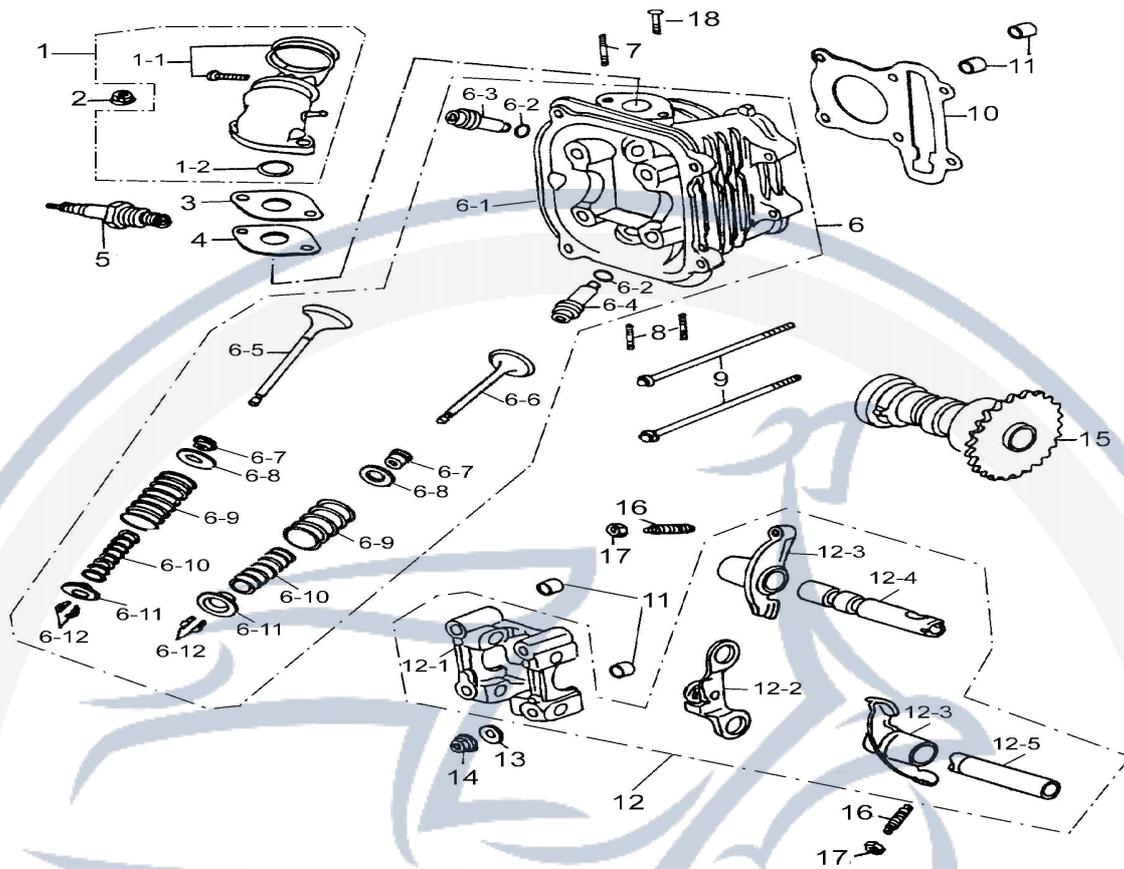
CAMSHAFT VALVE CYLINDER HEAD



| | | | | |
|--------|----------------------|-----------------|---|----------|
| 3-11 | DOWEL PIN | 94301-10140 | 4 | 10'14 |
| 3-12 | CAM SHAFT HOLDER ASS | 12210-119-000 | 1 | |
| 3-12-1 | CAMSHAFT HOLDER | 12211-119-000 | 1 | |
| 3-12-2 | PLATE COMP STOPPER | 14456-119-000 | 1 | |
| 3-12-3 | ARM VALVE ROCKER | 14431-119-000 | 2 | |
| 3-12-4 | SHAFT COMP IN | 14452-119-000 | 1 | |
| 3-12-5 | SHAFT EX ROCKER ARM | 14453-119-000 | 1 | |
| 3-13 | COPPER PLAIN WASHER | 94101-0818023-U | 4 | 8'18'2.3 |
| 3-14 | HEX FLANGE NUT | 94050-08000-C | 4 | M8 |
| 3-15 | CAMSHAFT COMP | 14400-119-000 | 1 | |
| 3-16 | SCREW TAPPEL | 90012-119-000 | 2 | |
| 3-17 | TAPPET ADJUSTING | 90206-119-000 | 2 | |
| 3-18 | SHEAR BOLT | 92200-06060-B1 | 1 | |

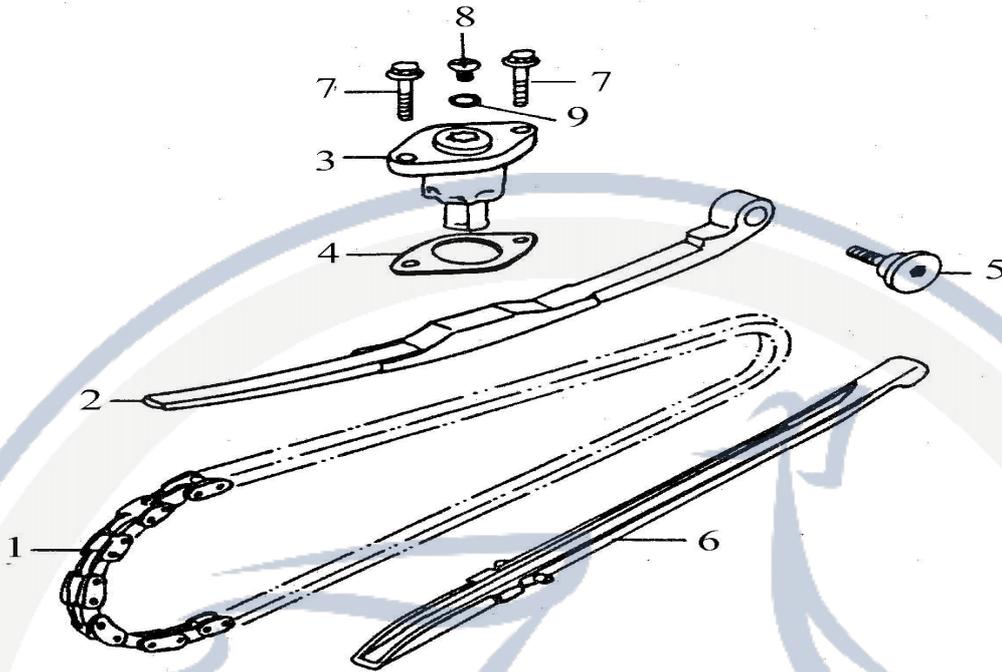
Motoroller.de
- seit 1993 -

CAMSHAFT VALVE CYLINDER HEAD



| P/N | DESCRIPTION | PART NO. | QTY | REMARK |
|--------|-------------------------|------------------|-----|---------|
| 3-1 | INAKE MAINFOLD | 17100-159-000 | 1 | |
| 3-1-1 | BAND INSULATOR | 14111-119-000 | 1 | |
| 3-1-2 | OIL-RING | 91327-119-000 | 1 | 9.5'1.6 |
| 3-2 | HEX FLANGE NUT | 94050-06000-C | 1 | M6 |
| 3-3 | CARBURETOR INSULATOR | 16213-119-000 | 1 | |
| 3-4 | CARBURETOR INSULATOR | 16229-119-000 | 1 | |
| 3-5 | SPARK PLUG | 98076-119-00A | 1 | CR7HSA |
| 3-6 | CYLINDER HEAD ASS'Y | 12200-119-000 | 1 | |
| 3-6-1 | CYLINDER HEAD | 12201-119-000 | 1 | |
| 3-6-2 | OIL-RING | 91309-119-000 | 2 | 27'2 |
| 3-6-3 | IN.GUIDE VALVE | 12204-122-000 | 1 | |
| 3-6-4 | EX.GUIDE VALVE | 12206-122-000 | 1 | |
| 3-6-5 | EX. VALVE | 14721-119-000 | 1 | |
| 3-6-6 | IN. VALVE | 14711-119-000 | 1 | |
| 3-6-7 | VALVE STEM SEAL | 12209-119-000 | 2 | |
| 3-6-8 | SEAT VALVE SPRING OUTER | 14775-119-000 | 2 | |
| 3-6-9 | VALVE OUTER SPRING | 14751-119-000 | 2 | |
| 3-6-10 | VALVE INNER SPRING | 14761-119-000 | 2 | |
| 3-6-11 | VALVE SPRING RETAINER | 14771-119-000 | 2 | |
| 3-6-12 | COTTER VALVE | 14781-119-000 | 4 | |
| 3-7 | STUD BOLT | 91001-06062-C | 1 | M6'62 |
| 3-8 | STUD BOLT | 91001-06028-C | 2 | M6'28 |
| 3-9 | HEX FLANGE BOLT | 96000-06100-08-C | 2 | M6'100 |
| 3-10 | CYLINDER HEAD GASKET | 12251-119-000 | 1 | |

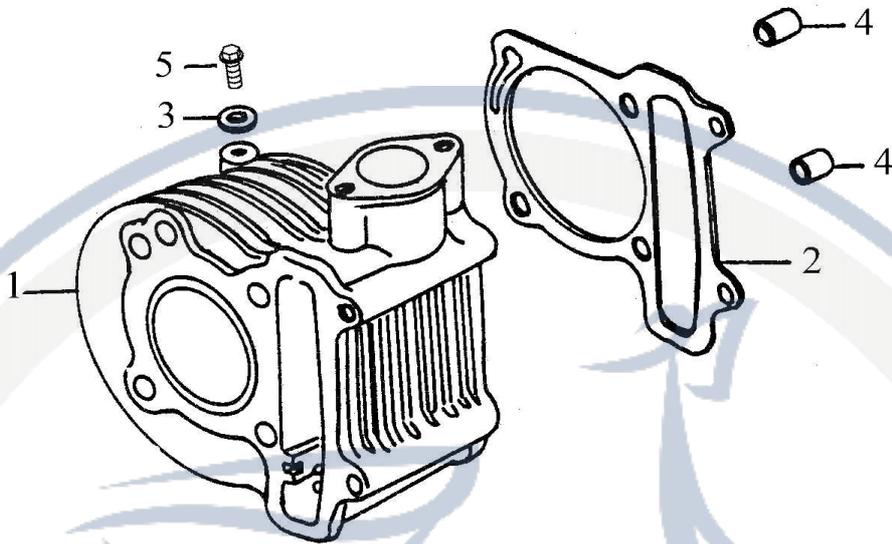
CAM CHAIN, TENSIONER



| P/N | DESCRIPTION | PART NO. | Q'TY | REMARK |
|------|-------------------------|-------------------|------|---------|
| 4-1 | CHAIN CAM | 14401-119-000 | 1 | |
| 4-2 | TENSIONER CAM CHAIN | 14550-119-000 | 1 | |
| 4-3 | LIFTER TENSIONER LIFTER | 14521-119-000 | 1 | |
| 4-4 | GASKET TENSIONER LIFTER | 14523-119-000 | 1 | |
| 4-5 | PIVOT CAM CHAIN | 14535-119-000 | 1 | M6'22 |
| 4-6 | GUIDE COMP CAM CHAIN | 14500-119-000 | 1 | |
| 4-7 | HEX FLANGE BOLT | 96000-06022-814-C | 2 | M6'22 |
| 4-8 | SCREW,PAN | 93000-06006-K | 1 | M6'6 |
| 4-9 | OIL-RING | 91309-119-000 | 1 | 9.5'1.5 |
| 3-14 | HEX FLANGE NUT | 94050-08000-C | 4 | M8 |
| 3-15 | CAMSHAFT COMP | 14400-119-000 | 1 | |
| 3-16 | SCREW TAPPEL ADJUSTING | 90012-119-000 | 2 | |
| 3-17 | TAPPET ADJUSTING | 90206-119-000 | 2 | |
| 3-18 | SHEAR BOLT | 92200-06060-B1 | 1 | |

Mototooler.de
- seit 1993 -

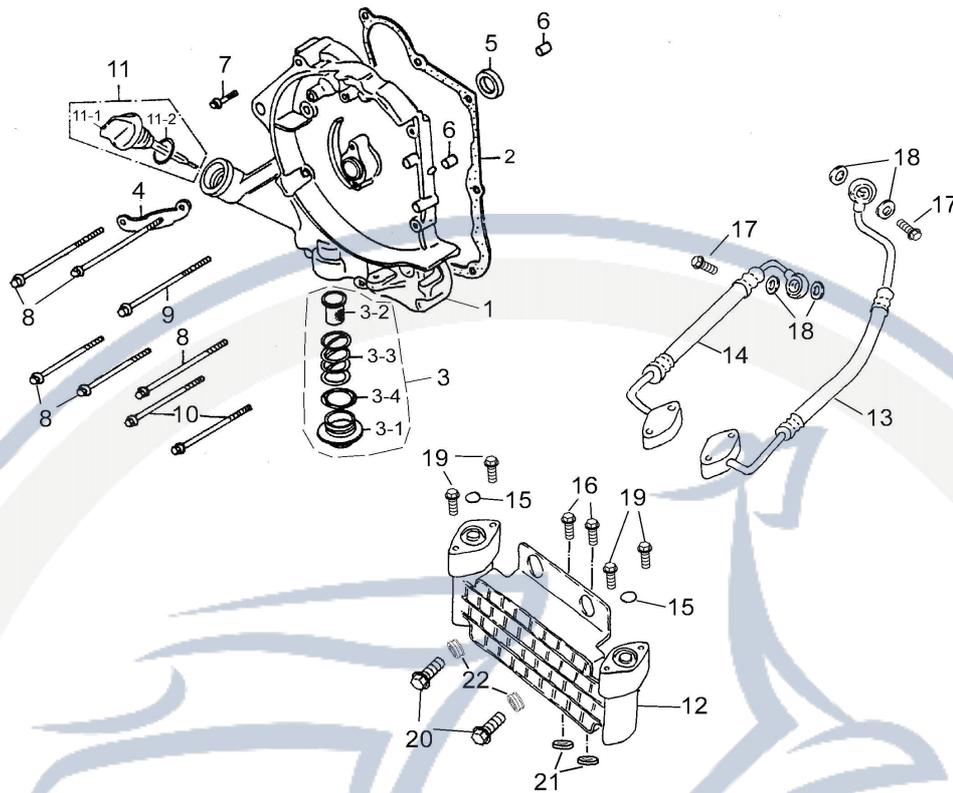
CYLINDER



| P/N | DESCRIPTION | PART NO. | Q'TY | REMARK |
|-----|---------------------|-----------------|------|----------|
| 5-1 | CYLINDER | 12101-119-000 | 1 | |
| 5-2 | CYLINDER GASKET | 12191-119-000 | 1 | |
| 5-3 | COPPER PLAIN WASHER | 94101-0612010-U | 1 | 6.5'12'1 |
| 5-4 | DOWEL PIN | 94301-10140 | 2 | 10'14 |
| 5-5 | HEX FLANGE BOLT | 96000-06012-10C | 1 | M6'12 |

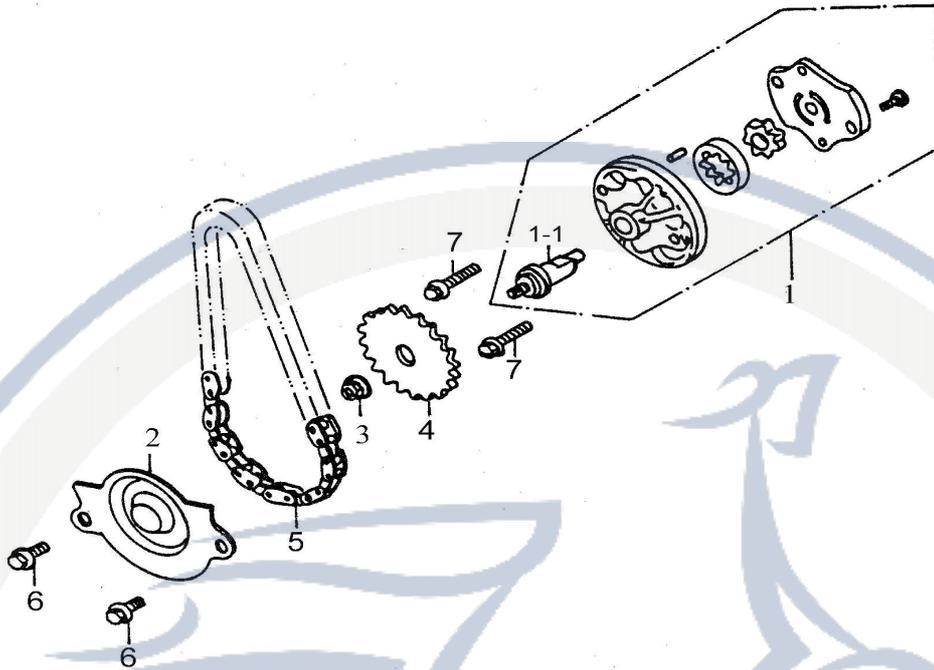
Motorroller.de
 - seit 1993 -

RIGHT CRANKCASE COVER



| P/N | DESCRIPTION | PART NO. | Q'TY | REMARK |
|--------|--------------------------|------------------|------|-----------|
| 6-1 | RIGHT CRANKCASE OVER | 11330-156-000 | 1 | |
| 6-2 | GASKET R. CRANKCASE | 11393-156-000 | 1 | |
| 6-3 | CAP TAPPET ADJUSTING | 12361-119-000 | 1 | |
| 6-3-1 | CAP TAPPET | 12360-119-000 | 1 | |
| 6-3-2 | SCREEN OIL FILTER | 15421-119-000 | 1 | |
| 6-3-3 | SPRING OIL FILTER SPRING | 15426-119-000 | 1 | |
| 6-3-4 | OIL RING | 91330-119-000 | 1 | 30.8mm |
| 6-4 | CLAMPER A.C.GENERATOR | 32961-119-000 | 1 | |
| 6-5 | OIL SEAL | 96500-19305 | 1 | 19.8'30'5 |
| 6-6 | DOWEL PIN | 94301-08140 | 2 | 8'14 |
| 6-7 | HEX FLANGE BOLT | 96000-06028-8C | 1 | M6'28 |
| 6-8 | HEX FLANGE BOLT | 96000-06095-8C | 5 | M6'95 |
| 6-9 | HEX FLANGE BOLT | 96000-06100-08-C | 1 | M6'100 |
| 6-10 | HEX FLANGE BOLT | 96000-06110-8C | 2 | M6'110 |
| 6-11 | GAUGE ASS'Y OIL LEVEL | 1565A-119-000 | 1 | |
| 6-11-1 | GAUGE OIL LEVEL | 15650-119-000 | 1 | |
| 6-11-2 | OIL RING | 91318-119-000 | 1 | 18'3 |
| 6-12 | RADIATOR | 15210-156-000 | 1 | |
| 6-13 | LIFE HOSE OUTLET | 15230-158-000 | 1 | |
| 6-14 | RIGHT HOSE INLET | 15220-158-000 | 1 | |
| 6-15 | O-RING | 91312-111-000 | 2 | 13.8x2.5 |
| 6-16 | HEX FLANGE BOLT | 96000-06012-K | 2 | M6x12 |
| 6-17 | OIL TUBE FIXED BOLT | 45456-156-000-G | 2 | M12x1.25 |
| 6-18 | PLAIN WASHER | 94101-1221320-L | 4 | 12x21.3x2 |
| 6-19 | HEX FLANGE BOLT | 96000-06025-K | 4 | M6x25 |
| 6-20 | HEX FLANGE BOLT | 96000-08012-K | 2 | M8*12 |
| 6-21 | SHAKE-PROOF RUBBER | 64320-156-000 | 2 | |
| 6-22 | SHAKE-PROOF RUBBER RING | 64321-156-000 | 2 | |

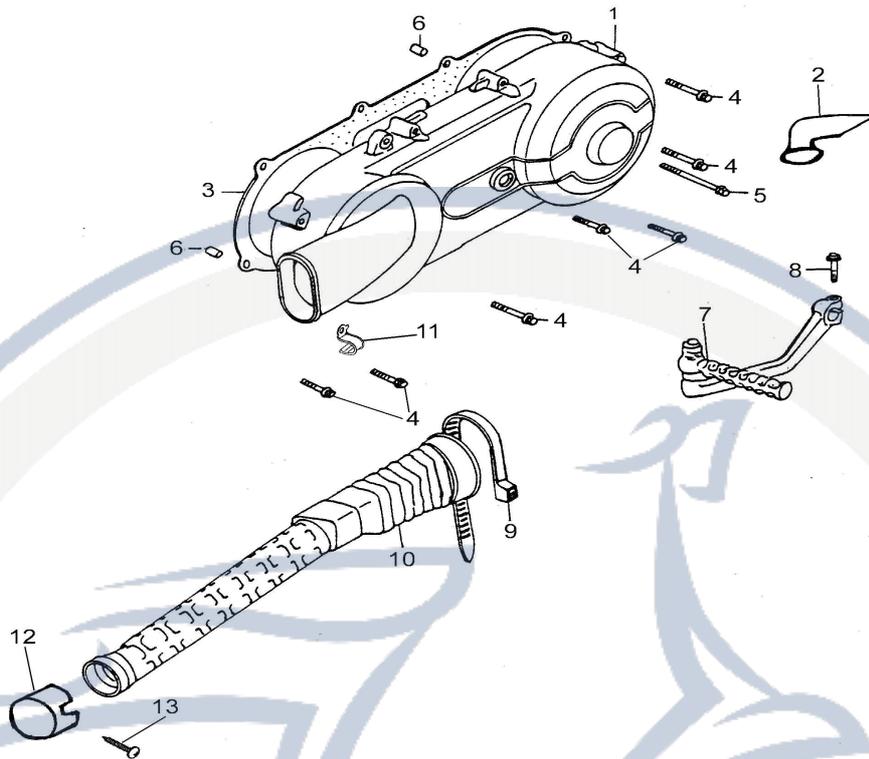
OIL PUMP



| P/N | DESCRIPTION | PART NO. | Q'TY | REMARK |
|-------|------------------------|----------------|------|--------|
| 7-1 | OIL PUMP | 15100-119-000 | 1 | |
| 7-1-1 | OIL PUMP PROIMARY AXLE | 15131-119-000 | 1 | |
| 7-2 | SEPARATOR A OIL | 15711-119-000 | 1 | |
| 7-3 | HEX FLANGE NUT | 94050-06000-C | 1 | M6 |
| 7-4 | OIL PUMP DRIVE GEAR | 15150-119-000 | 1 | |
| 7-5 | CHAIN OIL PUMP | 15141-119-000 | 1 | |
| 7-6 | HEX FLANGE BOLT | 96000-06012-8C | 2 | M6'12 |
| 7-7 | PAN BOLT | 93902-06030-8C | 2 | M6'30 |

Motorroller.de
- seit 1993 -

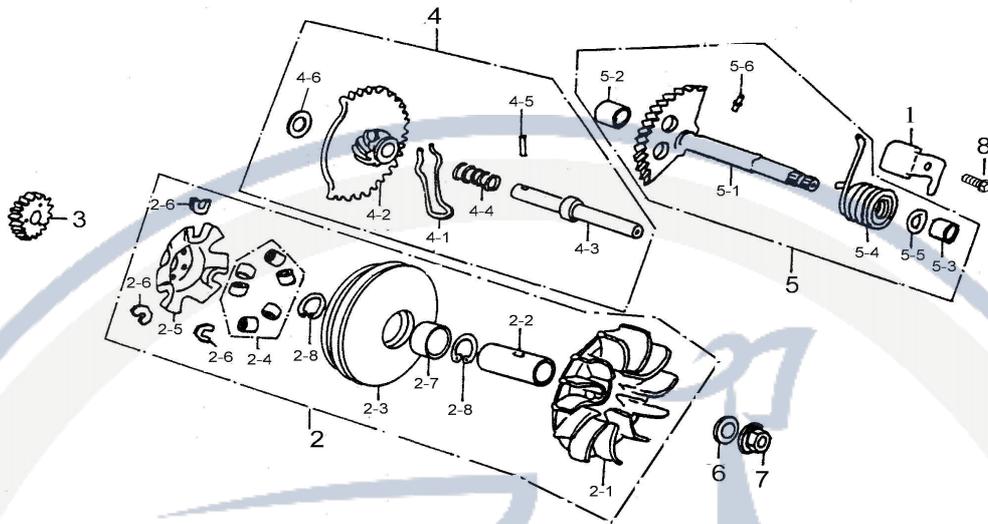
LEFT CRANKCASE COVER



| P/N | DESCRIPTION | PART NO. | Q'TY | REMARK |
|------|-------------------------|------------------|------|---------|
| 8-1 | COVER L | 11341-156-000 | 1 | |
| 8-2 | CLAMPER THROTTLE CABLE | 11211-112-000 | 1 | |
| 8-3 | GASKET L COVER | 11359-119-000 | 1 | |
| 8-4 | HEX FLANGE BOLT | 96000-06040-8C | 7 | M6'40 |
| 8-5 | HEX FLANGE BOLT | 96000-06100-08-C | 1 | M6'100 |
| 8-6 | DOWEL PIN | 94301-08140 | 2 | 8'14 |
| 8-7 | ARM ASS'Y KICK STARTER | 28300-156-000 | 1 | |
| 8-8 | HEX FLANGE BOLT | 96000-06025-K | 1 | M6'25 |
| 8-9 | STRAP | 90669-119-001 | 1 | D61 |
| 8-10 | DUCT L. CRANKCASE COVER | 11345-119-000 | 1 | |
| 8-11 | BREATHER HOSE CLIP | 11351-119-000 | 1 | |
| 8-12 | DUST PROOF RUBBER | 11349-156-000 | 1 | |
| 8-13 | TAPPING SCREW | 93903-04016-K | 1 | M4x16 - |

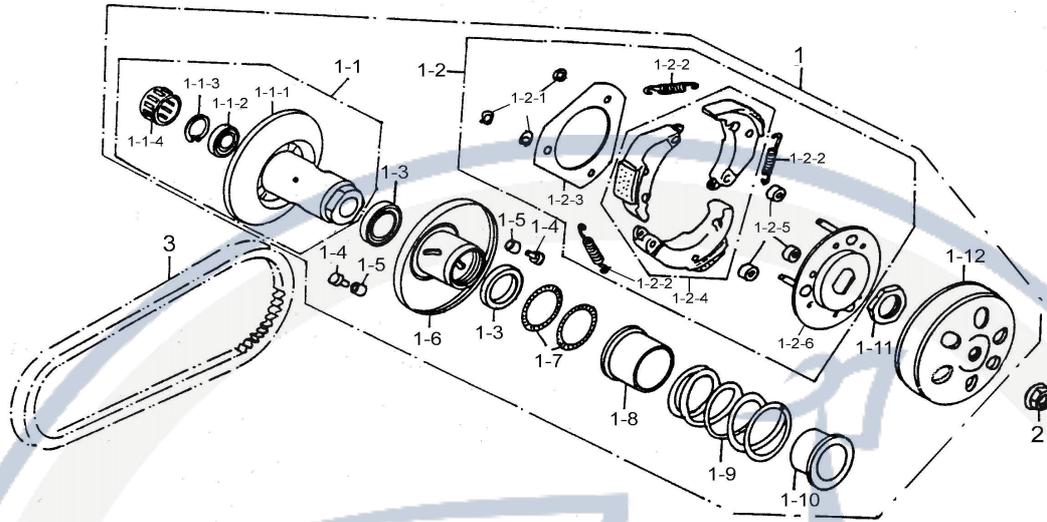
Mototroller.de
- seit 1993 -

DRIVE FACE



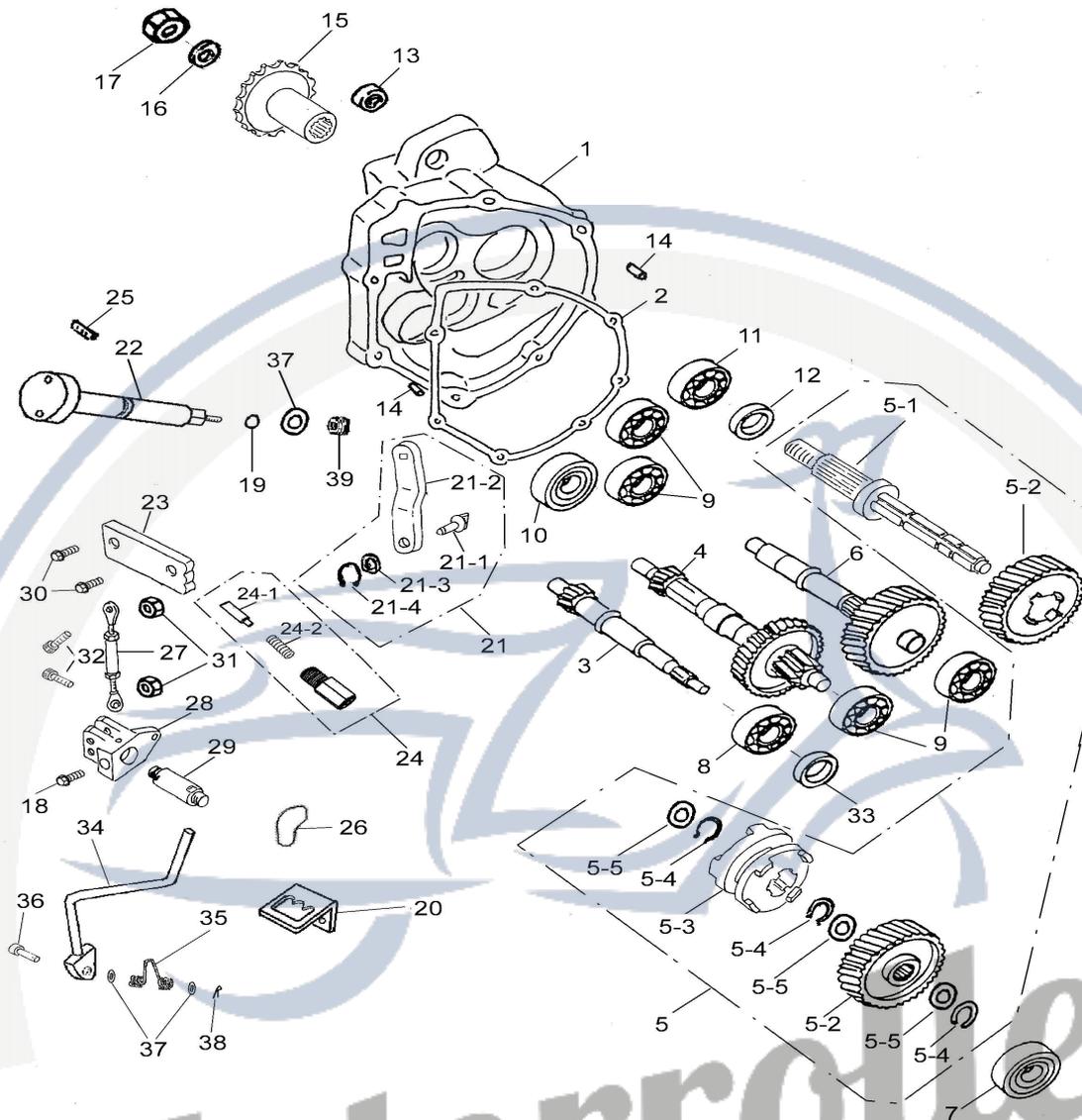
| P/N | DESCRIPTION | PART NO. | Q'TY | REMARK |
|-------|----------------------|-----------------|------|------------|
| 9-1 | PLATE KICK RETURN | 11207-119-000 | 1 | |
| 9-2 | FACE ASS'Y MOVABLE | 22103-156-000 | 1 | |
| 9-2-1 | FACE DRIVE | 22102-156-000 | 1 | |
| 9-2-2 | BOSS DRIVE FACE | 96401-152451 | 1 | 15'24'51.8 |
| 9-2-3 | PRIMARY SLIDING SLOT | 22110-156-000 | 1 | |
| 9-2-4 | ROLLER COMP WEIGHT | 22121-156-000 | 6 | 16 g |
| 9-2-5 | PLATE RAMP | 22131-156-000 | 1 | |
| 9-2-6 | SIDE PIECE | 22132-156-000 | 3 | |
| 9-2-7 | BUSH | 96401-242830 | 1 | 24'28'30 |
| 9-2-8 | INTERNAL CIR CLIP | 94512-2800R | 2 | RTW-28 |
| 9-3 | GEAR KICK DRIVE | 28211-119-000 | 1 | 20T |
| 9-4 | STARTER IDLE GEAR | 28231-119-000 | 1 | |
| 9-4-1 | SPRING STARTER GEAR | 28223-119-000 | 1 | |
| 9-4-2 | GEAR COMP STARTER | 28230-119-000 | 1 | 13T/49T |
| 9-4-3 | SHAFT STARTER IDLE | 28241-119-000 | 1 | |
| 9-4-4 | SPRING STARTER IDLE | 28242-119-000 | 1 | |
| 9-4-5 | SPECIAL PIN | 28282-119-000 | 1 | 4.5mm |
| 9-4-6 | PLAIN WASHER | 94101-1225023-C | 1 | 12'25'2.3 |
| 9-5 | STARTER SPINDLE | 28251-119-000 | 1 | |
| 9-5-1 | STARTER SPINDLE | 28250-119-000 | 1 | |
| 9-5-2 | BUSH | 96401-121612 | 1 | 12'16'12 |
| 9-5-3 | STARTER SPINDLE | 96401-141816 | 1 | 14'18'16 |
| 9-5-4 | STARTER SPRING | 28281-119-000 | 1 | |
| 9-5-5 | PLAIN WASHER | 94101-1422012-C | 1 | 14'22'1.2 |
| 9-5-6 | ROLLER | 96220-30085 | 1 | 3'8.5 |
| 9-6 | PLAIN WASHER | 94101-1225023-C | 1 | 12'25'2.3 |
| 9-7 | HEX FLANGE NUT | 94050-12000-C | 1 | M12 |
| 9-8 | HEX FLANGE BOLT | 96000-06012-8C | 1 | M6'12 |

DRIVE FACE



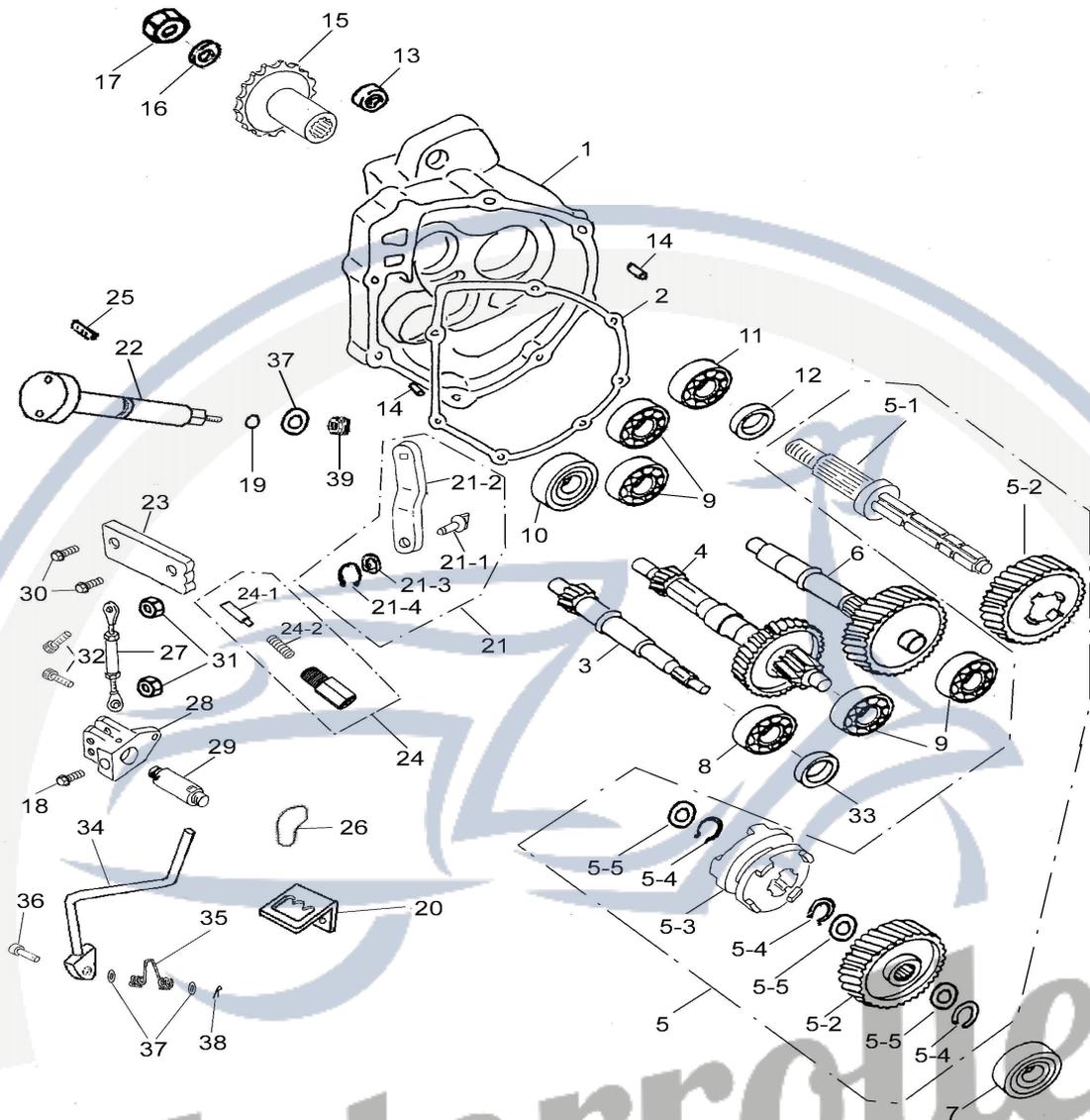
| P/N | DESCRIPTION | PART NO. | Q'TY | REMARK |
|----------|---------------------|---------------|------|-----------|
| 10-1 | DRIVE FACE ASS'Y(B) | 22000-156-000 | 1 | |
| 10-1-1 | SECONDARY FIX SLOT | 23200-119-000 | 1 | |
| 10-1-1-1 | FACE ASS'Y DRIVEN | 23210-119-000 | 1 | |
| 10-1-1-2 | RADIAL BALL BEARING | 96100-6902U | 1 | 6902U |
| 10-1-1-3 | INTERNAL CIR CLIP | 94512-280IR | 1 | IRTW-28 |
| 10-1-1-4 | NEEDLE BEARING | 96200-202918 | 1 | 20'29'18 |
| 10-1-2 | PLATE ASS'Y DRIVE | 22001-156-000 | 1 | |
| 10-1-2-1 | EXTERNAL CIR CLIP | 94511-0700E | 3 | ETW-7 |
| 10-1-2-2 | SPRING CLUTCH | 22401-119-000 | 3 | |
| 10-1-2-3 | PLATE CLUTCH SIDE | 22351-119-000 | 1 | |
| 10-1-2-4 | CLUTCH WEIGHT SET | 22535-156-000 | 3 | |
| 10-1-2-5 | RUBBER CLUTCH | 22804-119-000 | 3 | |
| 10-1-2-6 | PLATE COMP DRIVE | 22350-119-000 | 1 | |
| 10-1-3 | OIL SEAL | 96500-34414 | 2 | 34'41'4 |
| 10-1-4 | GUIDE PIN | 23225-119-000 | 3 | |
| 10-1-5 | GUIDE | 23226-119-000 | 3 | |
| 10-1-6 | SECONDARY SLIDING | 23220-119-000 | 1 | |
| 10-1-7 | OIL RING | 91336-119-000 | 2 | 36'2 |
| 10-1-8 | SECONDARY SPRING | 23237-119-000 | 1 | |
| 10-1-9 | COMPRESSION SPRING | 23233-119-000 | 1 | |
| 10-1-10 | COLLER SPRING | 23238-119-000 | 1 | |
| 10-1-11 | NUT , SPECIAL | 90202-119-000 | 1 | M28 |
| 10-1-12 | CLUTCH COVER COMP | 22100-119-000 | 1 | |
| 10-2 | HEX FLANGE NUT | 94050-12000-C | 1 | M12 |
| 10-3 | BELT DRIVE | 23100-122-000 | 1 | 743'20'30 |
| 10-4 | TEFLON RING | 21326-156-000 | 1 | |

TRANSMISSION



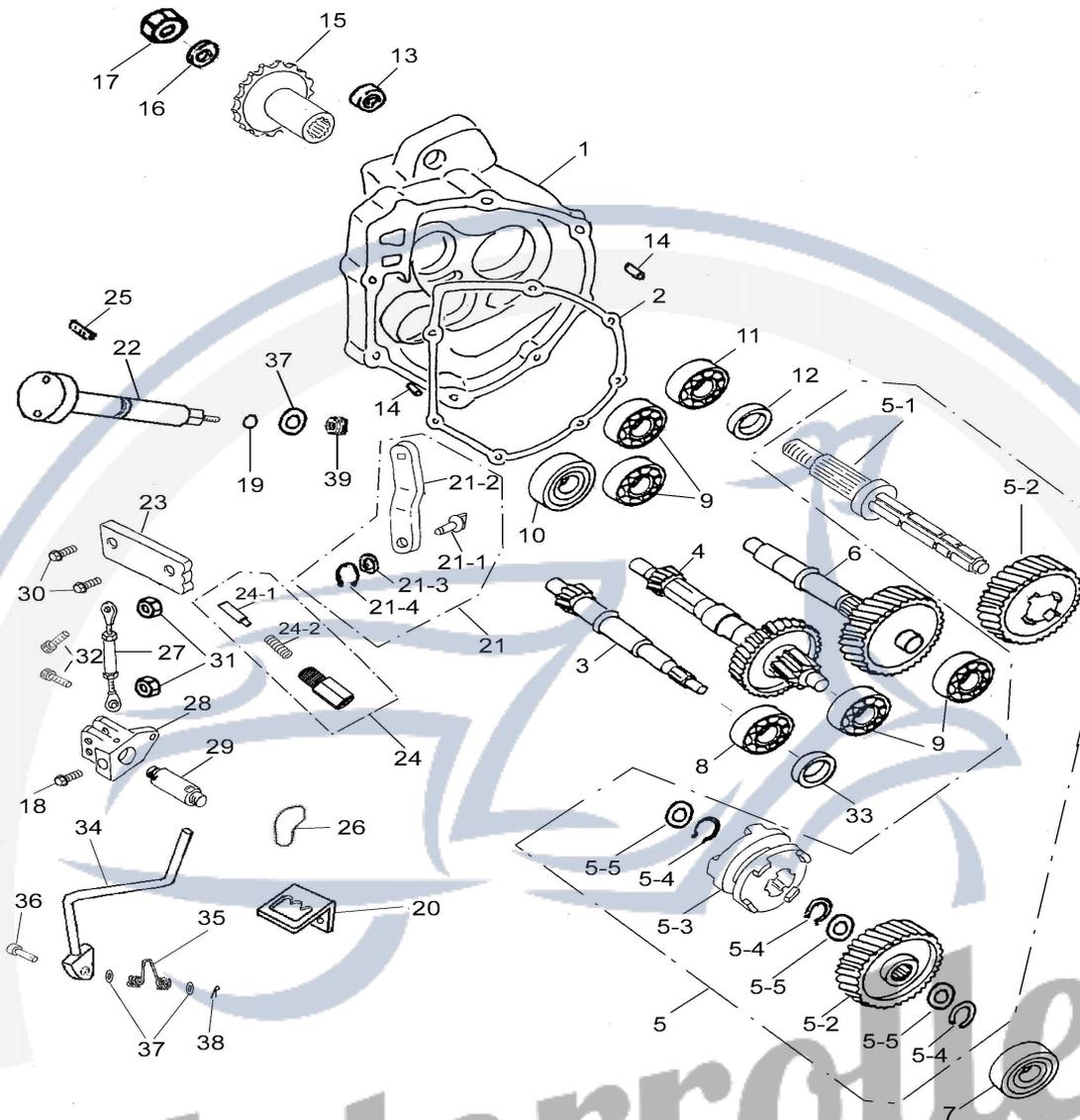
| | | | | |
|---------|------------------------|-----------------|---|---------|
| 11-13 | RUBBER BUSH | 96400-082023 | 1 | 8x20x23 |
| 11-14 | DOWEL PIN | 94301-08140 | 2 | 8x14 |
| 11-15 | DRIVE SPROCKET | 23801-159-000 | 1 | 17T |
| 11-16 | PLAIN WASHER | 94101-1629030-C | 1 | 16x29x3 |
| 11-17 | NYLON INSERT LOCK NU | 90350-16000-C | 1 | M16 |
| 11-18 | HEX FLANGE BOLT | 96000-06025-K | 1 | M6x25 |
| 11-19 | O-RING | 91312-111-000 | 1 | |
| 11-20 | FIX CATCH SUPPORT | 21323-156-000 | 1 | |
| 11-21 | TRANSMISSION FORK AS | 21310-156-000 | 1 | |
| 11-21-1 | TRANSMISSION FORK | 21311-156-000 | 1 | |
| 11-21-2 | TRANSMISSION SHAFT | 21312-156-000 | 1 | |
| 11-21-3 | SPECLAL WASHER | 23437-156-000 | 1 | |
| 11-21-4 | C - CINCLIP | 23438-156-000 | 1 | |
| 11-22 | TRANSMISSION LINK | 21313-156-000 | 1 | |
| 11-23 | TRANSMISSION POSITIOI | 21314-156-000 | 1 | |
| 11-24 | TRANSMISSION POSITIOI | 21315-156-000 | 1 | |
| 11-24-1 | TRANSMISSION FIX PIN | 21324-156-000 | 1 | |
| 11-24-2 | TRANSMISSION FIX SPRII | 21325-156-000 | 1 | |

TRANSMISSION



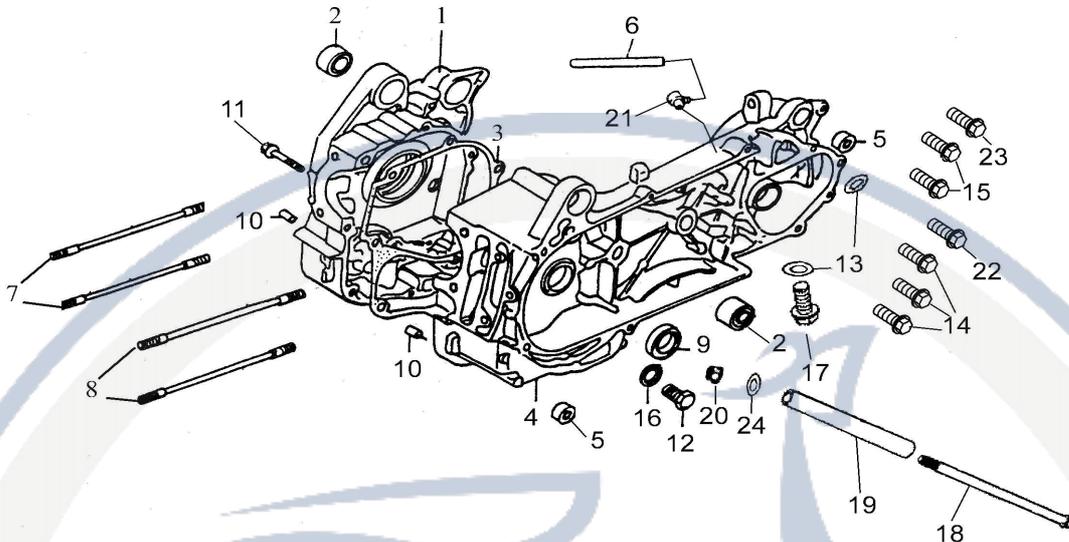
| | | | | |
|-------|---------------------------------|-----------------|---|----------|
| 11-25 | HEX SOCKET FIX BOLT | 91001-05008-K | 1 | M5x8 |
| 11-26 | TRANSMISSION LEVER ROD | 21322-156-000 | 1 | |
| 11-27 | TRANSMISSION FORK LINK | 21316-156-000 | 1 | |
| 11-28 | TRANSMISSION SET | 21317-156-000 | 1 | |
| 11-29 | TRANSMISSION SET FIX LINK ASS,Y | 21318-156-000 | 1 | |
| 11-30 | HEX FLANGE BOLT | 96000-06012-C | 2 | .. M6x12 |
| 11-31 | NYLON INSERT LOCK NUT | 90350-06000-K | 2 | M6 |
| 11-32 | HEX SOCKET BOLT | 91000-06025-K | 2 | M6x25 |
| 11-33 | OIL SEAL | 96500-20326 | 1 | 20x32x6 |
| 11-34 | TRANSMISSION LEVER | 21319-156-000 | 1 | |
| 11-35 | TRANSMISSION LEVER SPRING | 21320-156-000 | 1 | |
| 11-36 | TRANSMISSION LEVER FIX PIN | 21321-156-000 | 1 | |
| 11-37 | PLAIN WASHER | 94101-0816015-C | 3 | 8x16x1.5 |
| 11-38 | COTTER PIN | 94201-24190 | 1 | |
| 11-39 | HEX NUT WITH SERRATION | 90350-08000-UK | 1 | |

TRANSMISSION



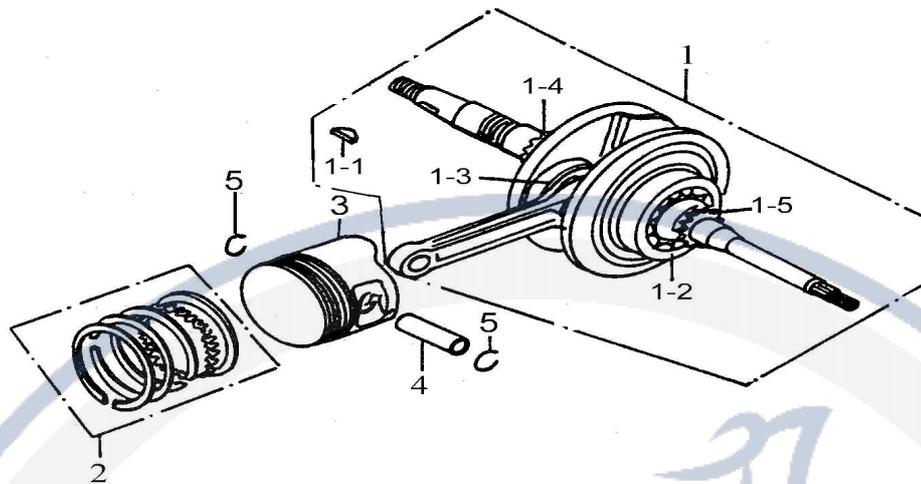
| P/N | DESCRIPTION | PART.NO. | Q"TY | REMARK |
|--------|----------------------|---------------|------|-----------|
| 11-1 | MISSION COVER | 21301-158-000 | 1 | |
| 11-2 | MISSION COVER GASKET | 21395-156-000 | 1 | |
| 11-3 | SHAFT , DRIVE | 23411-119-000 | 1 | |
| 11-4 | MAIN AXLE COMP | 23420-156-000 | 1 | |
| 11-5 | SHAFT , FINAL ASS,Y | 23440-156-000 | 1 | |
| 11-5-1 | SHAFT , FINAL | 23431-156-000 | 1 | |
| 11-5-2 | GEAR , TRANSMISSION | 23434-156-000 | 2 | |
| 11-5-3 | CLUTCH | 28430-156-000 | 1 | |
| 11-5-4 | C - CIRCLIP | 23436-156-000 | 3 | |
| 11-5-5 | SPECIAL WASHER | 23435-156-000 | 3 | |
| 11-6 | COUNTER SHAFT ASS'Y | 23433-156-000 | 1 | |
| 11-7 | BEARING | 96100-62030 | 1 | CS05 6203 |
| 11-8 | BEARING | 96100-62040 | 1 | C3 6204 |
| 11-9 | BEARING | 96100-62020 | 4 | CS05 6202 |
| 11-10 | BEARING | 96100-TMB301 | 1 | TMB301 |
| 11-11 | BEARING | 96100-6004U | 1 | 6004LU |
| 11-12 | OIL SEAL | 96500-27427 | 1 | |

CRANKCASE



| P/N | DESCRIPTION | PART NO. | Q'TY | REMARK |
|-------|---------------------------|------------------|------|-----------|
| 12-1 | RIGHT CRANKCASE | 11101-159-000 | 1 | |
| 12-2 | BUSH ENGINE HANGER RUBBER | 96400-102820 | 2 | 10'28'20 |
| 12-3 | GASKET CRANKCASE | 11191-122-000 | 1 | |
| 12-4 | LEFT CRANKCASE | 11201-159-000 | 1 | |
| 12-5 | RUBBER BUSHING | 96400-082023 | 2 | 8'20'23 |
| 12-6 | TUBE BREATHER | 16615-113-000 | 1 | |
| 12-7 | STUD BOLT | 91001-08181-C | 2 | M8'181 |
| 12-8 | STUD BOLT | 91001-08187-C | 2 | M8'187 |
| 12-9 | OIL SEAL | 96500-19305 | 1 | 19.8'30X5 |
| 12-10 | DOWEL PIN | 94301-08140 | 2 | 8'14 |
| 12-11 | HEX FLANGE BOLT | 96000-06050-C | 1 | M6'50 |
| 12-12 | HEX FLANGE BOLT | 96000-12015-14C | 1 | M12'15 |
| 12-13 | PLAIN WASHER (ALUMINUM) | 94101-0816020 | 2 | 8x16x2 |
| 12-14 | HEX FLANGE BOLT | 96000-06060-08-C | 3 | M6x60 |
| 12-15 | HEX FLANGE BOLT | 96000-06065-08-C | 3 | M6x65 |
| 12-16 | PLAIN WASHER | 94101-1221320-L | 1 | 12'21.3'2 |
| 12-17 | HEX FLANGE BOLT | 96000-08012-10C | 2 | M8x12 |
| 12-18 | HEX FLANGE BOLT | 96000-10197-C | 1 | M10x197 |
| 12-19 | ENGING SPACER COLLAR | 11150-156-000 | 1 | 10*17*125 |
| 12-20 | NYLON INSERT LOCK NUT | 90350-10000-C | 1 | M10 |
| 12-21 | BREATHER JOINT | 16610-113-000 | 1 | |
| 12-22 | HEX FLANGE BOLT | 96000-06045-08-C | 1 | M6x45 |
| 12-23 | HEX FLANGE BOLT | 96000-06070-08-C | 1 | M6*70 |
| 12-24 | PLAIN WASHER | 94101-1022020-C | 1 | 10*22*2 |

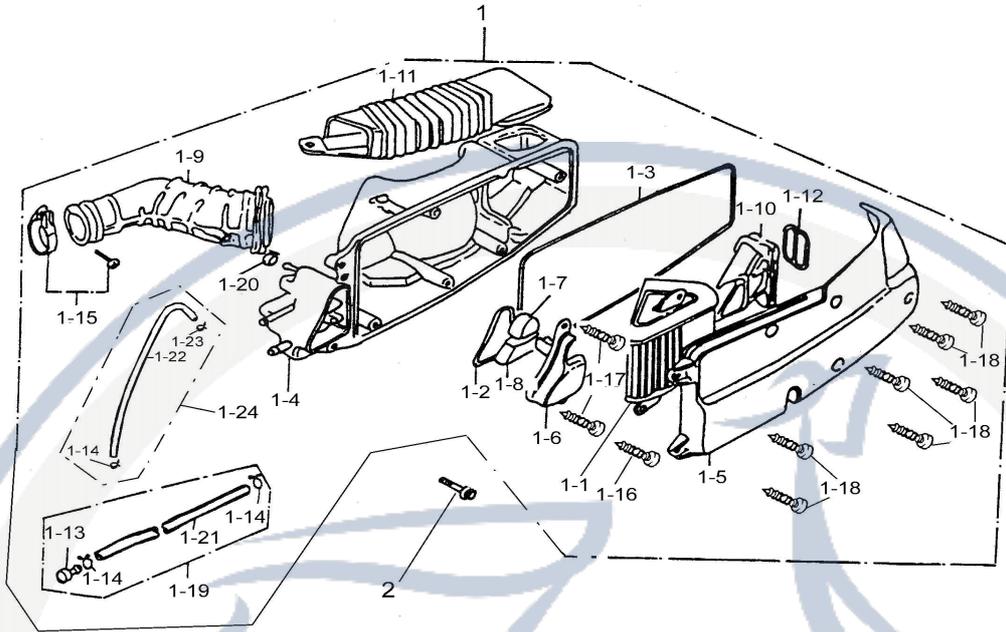
CRANK SHAFT,PISTON



| P/N | DESCRIPTION | PART NO. | Q'TY | REMARK |
|--------|-----------------------|---------------|------|----------|
| 13-1 | CRANKSHAFT ASS'Y | 13000-119-000 | 1 | |
| 13-1-1 | SEMICYCLE KEY | 90471-119-000 | 1 | 25'4'14 |
| 13-1-2 | BEARING | CSSC04A86CS12 | 2 | |
| 13-1-3 | NEEDLE BEARING | 96200-283313 | 1 | |
| 13-1-4 | TIMING GEAR | 14311-119-000 | 1 | 17T |
| 13-1-5 | CAM TRANSMISSION GEAR | 14322-119-000 | 1 | |
| 13-2 | PISTION RING SET | 13011-119-000 | 1 | |
| 13-3 | PISTON | 13100-119-000 | 1 | |
| 13-4 | PISTON PIN | 13111-119-000 | 1 | 10x15x42 |
| 13-5 | CLIP PISTON PIN | 13115-119-000 | 2 | |

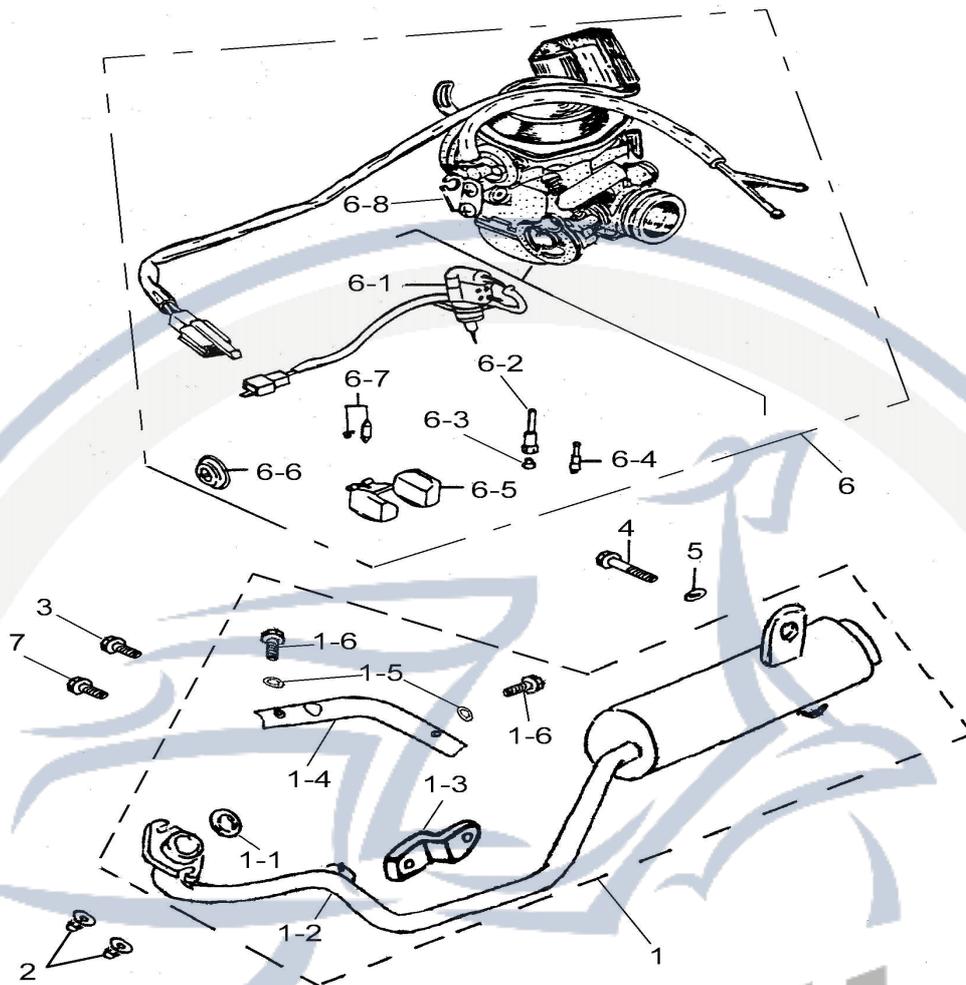
Motorroller.de
 - seit 1993 -

AIR CLEANER



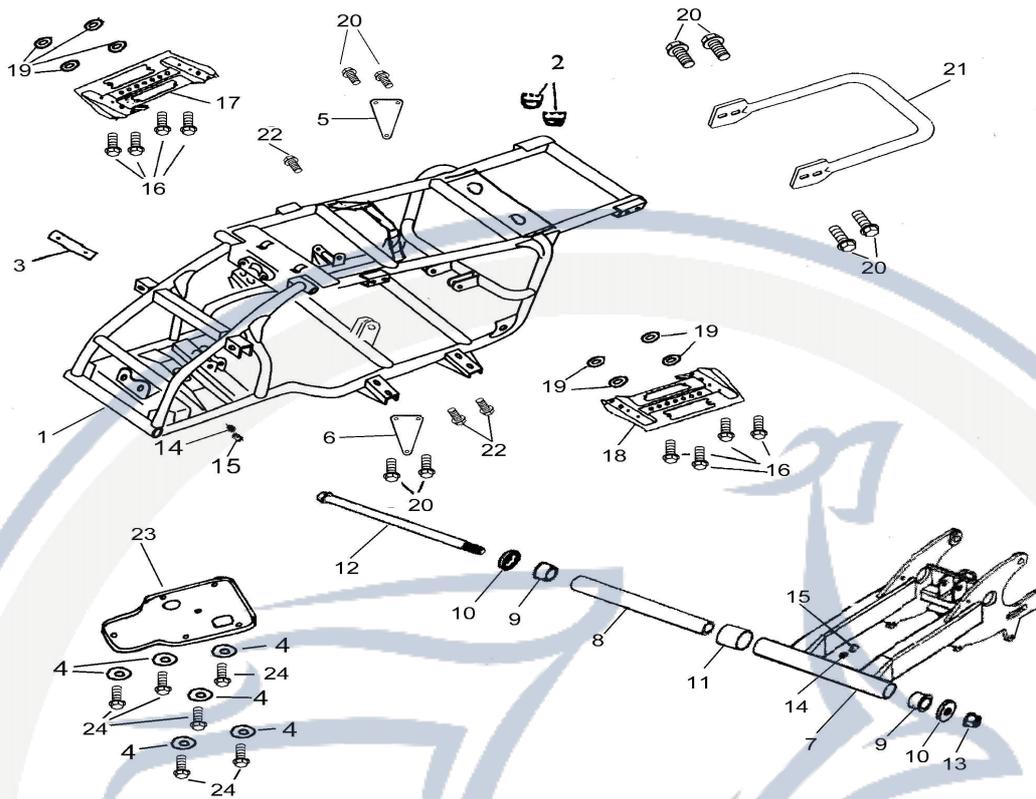
| P/N | DESCRIPTION | PART NO. | Q'TY | REMARK |
|---------|----------------------------|-------------------|------|----------|
| 14-1 | AIR CLEANER ASS'Y | 17200-156-000 | 1 | |
| 14-1-1 | AIR CLEANER ELEMENT | 17205-119-000 | 1 | |
| 14-1-2 | SEAL OIL CATCH | 17212-119-000 | 1 | |
| 14-1-3 | SEAL OIL CLEANER COVER | 17213-119-000 | 1 | |
| 14-1-4 | AIR CLEANER CASE | 17206-119-000 | 1 | |
| 14-1-5 | CLEANER CASE CAP | 17207-119-000 | 1 | |
| 14-1-6 | COVER OIL CATCH | 17232-119-000 | 1 | |
| 14-1-7 | FILTER BREATHER | 17234-119-000 | 1 | |
| 14-1-8 | FILTER OIL CATCH | 17235-119-000 | 1 | |
| 14-1-9 | AIR CLEANER JOINT | 17253-119-000 | 1 | |
| 14-1-10 | DUCT AIR CLEANER IN | 17255-119-000 | 1 | |
| 14-1-11 | DUCT AIR CLEANER CASE | 17257-119-000 | 1 | |
| 14-1-12 | SPRING IN DUCT | 17258-119-000 | 1 | |
| 14-1-13 | PLUG BREATHER TUBE | 17370-119-000 | 1 | |
| 14-1-14 | CLIP | 94510-12000 | 3 | 12mm |
| 14-1-15 | INTAKE MANIFOLD HOSE CLAMP | 14110-119-000 | 1 | |
| 14-1-16 | PAN PHILLIPS BOLT | 93500-05010-K | 2 | M5*10 |
| 14-1-17 | TAPPING SCREW TRUSS HEAD | 93903-04012-K | 2 | 4*12 |
| 14-1-18 | TAPPING SCREW TRUSS HEAD | 93903-05020-K | 7 | 5*20 |
| 14-1-19 | TUBE ASS'Y DRAIN | 17360-119-000 | 1 | |
| 14-1-20 | CLAMP TUBE | 94509-09000 | 1 | |
| 14-1-21 | TUBE VINYL | 94400-08012 | 1 | 8*12*240 |
| 14-1-22 | BREATHER TUBE | 11211-119-000 | 1 | 6*8.5 |
| 14-1-23 | CLIP | 94510-08000 | 1 | 8*0.8 |
| 14-1-24 | BREATHER TUBE ASS'Y | 11210-119-000 | 1 | |
| 14-2 | HEX FLANGE BOLT | 96000-06032-814-C | 2 | M6*32 |

EXHANST MUFFLER,CARBURETOR



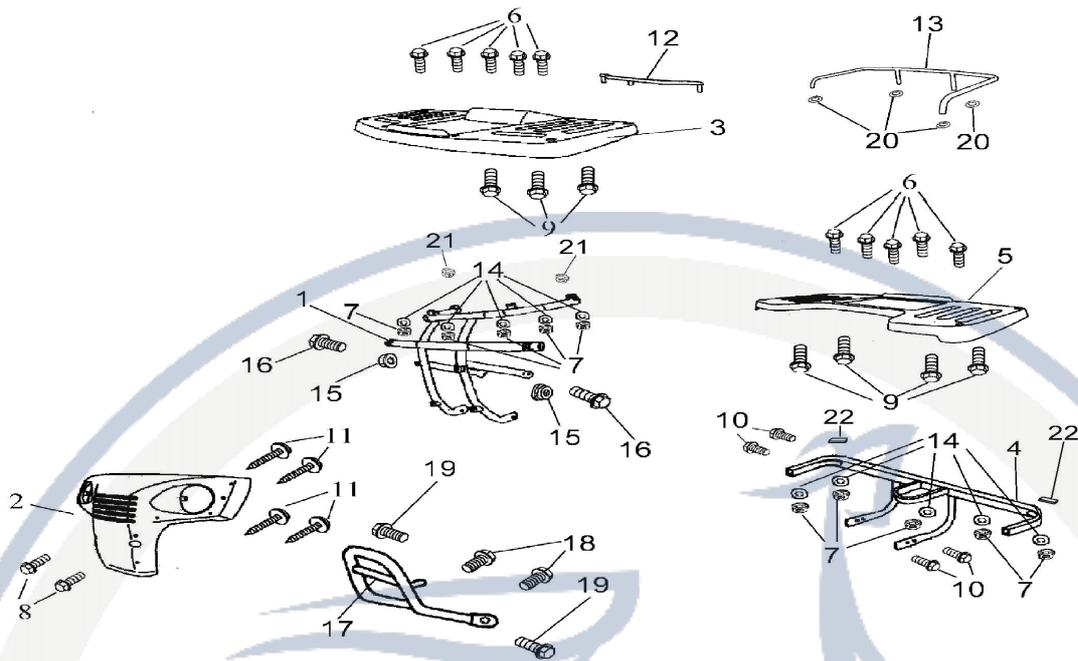
| P/N | DESCRIPTION | PART NO. | Q'TY | REMARK |
|--------|-------------------------|-----------------|------|-----------|
| 15-1 | EXHAUST PIPE ASS'Y | 18300-156-001 | 1 | |
| 15-1-1 | EXHAUST PIPE GASKET | 18291-119-000 | 1 | 25.4*34*4 |
| 15-1-2 | EXHAUST PIPE | 18301-156-001 | 1 | |
| 15-1-3 | EXHAUST PIPE FIX PLATE | 18317-156-000 | 1 | |
| 15-1-4 | EXHAUST PIPE PROTECTOR | 18315-156-001 | 1 | |
| 15-1-5 | GASKET | 94102-0613010 | 2 | 6*13*1 |
| 15-1-6 | HEX FLANGE BOLT | 93500-060010 | 2 | M6*10 |
| 15-2 | NUT CAP | 90301-06000-C | 2 | M6 |
| 15-3 | HEX FLANGE BOLT | 96000-08016-K | 1 | M8x16 |
| 15-4 | HEX FLANGE BOLT | 96000-08030-K | 1 | M8x30 |
| 15-5 | PLAIN WASHER | 94101-1022020-C | 1 | 10*22*2 |
| 15-6 | CARBURETOR ASS'Y | 16100-119-000 | 1 | |
| 15-6-1 | PLUNGER STARTER | 17215-119-000 | 1 | |
| 15-6-2 | NEEDLE NOZZLE | 16105-119-000 | 1 | |
| 15-6-3 | MAIN NOZZLE | 16108-119-000 | 1 | #112 |
| 15-6-4 | PILOT JET | 16110-119-000 | 1 | #35 |
| 15-6-5 | FLOAT | 16118-119-000 | 1 | |
| 15-6-6 | PLUNGER FILM | 16048-119-000 | 1 | |
| 15-6-7 | PLUNGER FILM | 16117-119-000 | 1 | |
| 15-6-8 | THROTTLE CABLE FIX SEAT | 16120-119-000 | 1 | |
| 15-7 | HEX FLANGE BOLT | 96000-08025-K | 1 | M8x25 |

FRAME BODY



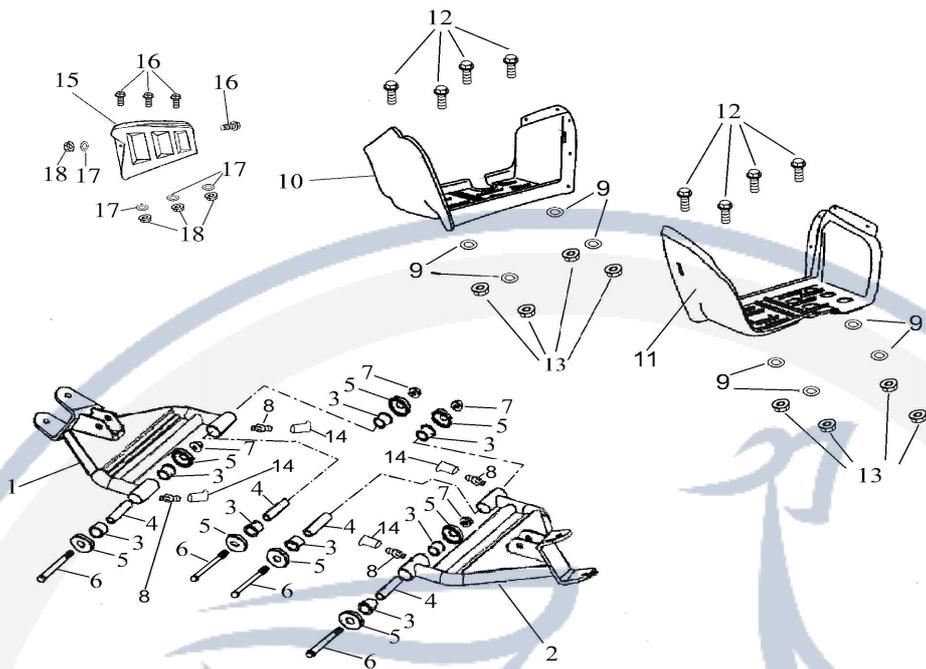
| P/N | DESCRIPTION | PART NO. | Q'TY | REMARK |
|-------|------------------------------|----------------|------|------------|
| 16-1 | FRAME COMP | 50100-159-001 | 1 | |
| 16-2 | SEAT RUBBER | 77220-131-000 | 2 | Æ37xÆ13x23 |
| 16-3 | FLANGE NUMBER PLATE | 50130-131-000 | 1 | |
| 16-4 | SPRING WASHER | 94111-07500-K | 6 | |
| 16-5 | RIGHT ENGING BRACKET PLATE | 50351-158-000 | 1 | |
| 16-6 | LEFT ENGING BRACKET PLATE | 50355-158-000 | 1 | |
| 16-7 | SWING ARM SUB ASS'Y | 52410-156-001 | 1 | |
| 16-8 | SWING ARM SPACER TUBE | 52420-131-000 | 1 | |
| 16-9 | GREASE CONTAIN SEAT | 52421-131-000 | 2 | |
| 16-10 | SWING ARM SEAT COVER | 52422-131-000 | 2 | |
| 16-11 | RUBBER SLEEVE | 52423-156-000 | 1 | |
| 16-12 | HEX FLANGE BOLT | 96000-14290-C | 1 | M14x290 |
| 16-13 | INSERT LOCK NUT | 90350-14000-UC | 1 | M14 |
| 16-14 | GREASE VALVE | 51300-131-000 | 2 | |
| 16-15 | GREASE VALVE RUBBER CAP | 51301-131-000 | 2 | |
| 16-16 | HEX FLANGE BOLT | 96000-08012-K | 8 | M8x12 |
| 16-17 | RIGHT FOOTWELL BOTTOM BOARD | 51105-156-000 | 1 | |
| 16-18 | LETF FOOTWELL BOTTOM BOARD | 51120-156-000 | 1 | |
| 16-19 | FOOT REST GROMMER | 64320-151-000 | 8 | |
| 16-20 | HEX FLANGE BOLT | 96000-08014-K | 8 | M8x14 |
| 16-21 | REAR HANDLE | 50105-159-000 | 1 | |
| 16-22 | HEX FLANGE BOLT | 96000-08040-K | 3 | M8x40 |
| 16-23 | HEX FLANGE BOLT | 96000-08035-K | 4 | M8x35 |
| 16-24 | PROTECTION FRAME BOTTOM BOAF | 50106-156-000 | 1 | |
| 16-25 | HEX WASHER FACE BOLT | 96000-06008-K | 6 | M6x8 |

BUMPER FRONT AND REAR RACK



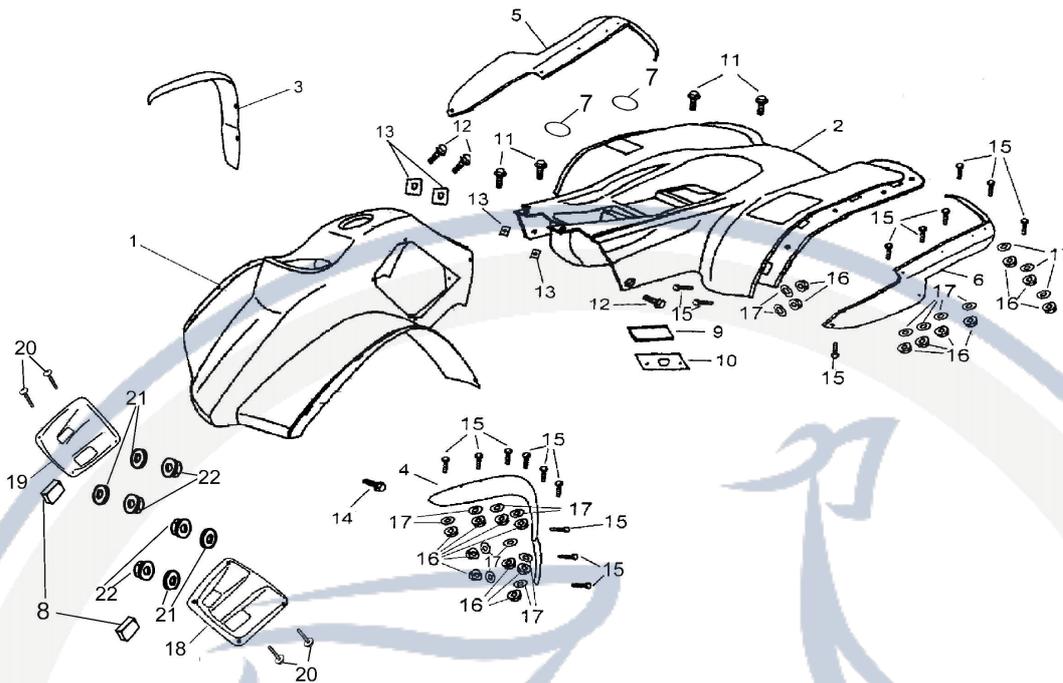
| P/N | DESCRIPTION | PART NO. | Q'TY | REMARK |
|-------|-------------------------|-----------------|------|--------|
| 17-1 | BUMPER | 50450-156-001 | 1 | |
| 17-2 | BUMPER COVER | 50461-159-000 | 1 | |
| 17-3 | FRONT RACK | 81100-156-000 | 1 | |
| 17-4 | REAR IRON RACE | 81111-159-000 | 1 | |
| 17-5 | REAR RACK | 81110-156-000 | 1 | |
| 17-6 | PLAN PHILLIPS BOLT WITH | 96318-06032-K | 10 | M6x32 |
| 17-7 | NYLON INSEKT LOCK NUT | 90350-06000-K | 10 | M6 |
| 17-8 | PLAN PHILLIPS BOLT | 93100-05016-K | 2 | M5x16 |
| 17-9 | HEX FLANGE BOLT | 96000-06016-K | 7 | M6x16 |
| 17-10 | HEX FLANGE BOLT | 96000-08012-K | 4 | M8x12 |
| 17-11 | TAPPING SCREW | 93903-05016-K | 4 | M5x16 |
| 17-12 | FRONT RAILING | 81101-156-000 | 1 | |
| 17-13 | REAR RAILING | 81112-156-000 | 1 | |
| 17-14 | PLAIN WASHER | 94101-0613010-K | 10 | 6x13x1 |
| 17-15 | HEX FLANGE NUT | 94050-06000-K | 2 | |
| 17-16 | HEX FLANGE BOLT | 96000-06016-K | 2 | |
| 17-17 | BUMPER | 50455-156-001 | 1 | |
| 17-18 | HEX FLANGE BOLT | 96000-06040-K | 2 | M6x40 |
| 17-19 | HEX FLANGE BOLT | 96000-08014-K | 2 | M8x14 |
| 17-20 | PLAIN WASHER | 94101-0618010-K | 4 | 6x18x1 |
| 17-21 | NYLON INSEKT LOCK NUT | 90350-05000-K | 2 | M5 |
| 17-22 | ANTI-VIBRATION RUBBER | 81113-153-000 | 2 | |

SWING ARM, FOOTREST



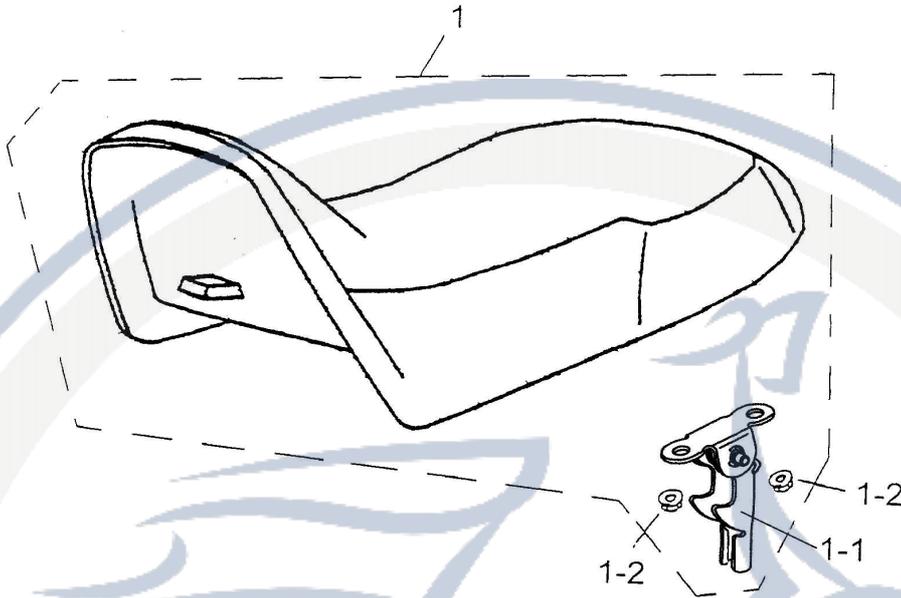
| P/N | DESCRIPTION | PART NO. | Q'TY | REMARK |
|-------|-------------------------|-----------------|------|------------|
| 18-1 | RIGHT SUSPENSION ARM | 53030-156-001 | 1 | |
| 18-2 | SUSPENSION ARM | 53130-156-001 | 1 | |
| 18-3 | SUSPENSION ARM BUSH | 53135-156-000 | 8 | 15.5*21*18 |
| 18-4 | SPACER TUBE | 53140-156-000 | 4 | 10*15*55 |
| 18-5 | DUST PROOF RUBBER | 52426-156-000 | 8 | |
| 18-6 | HEX FLANGE BOLT | 96000-10075-KL | 4 | M10x75 |
| 18-7 | HEX FLANGE NUT | 94050-10000-C | 4 | M10 |
| 18-8 | GREASE VALVE | 51300-131-000 | 4 | |
| 18-9 | PLAIN WASHER | 94101-0613010-K | 8 | 6x13x1 |
| 18-10 | RIGHT FOOTREST | 64300-156-002 | 1 | |
| 18-11 | LEFT FOOTREST | 64310-156-001 | 1 | |
| 18-12 | HEX BOLT WITH WASHER | 92000-06016-K | 8 | M6x16 |
| 18-13 | NYLON INSERT LOCK NUT | 90350-06000-K | 8 | M6 |
| 18-14 | GREASE VALVE RUBBER CAP | 51301-131-000 | 4 | |
| 18-15 | HEAT SHIELD | 50480-156-000 | 1 | |
| 18-16 | PAN PHILLIPS BOLT | 93100-05016-K | 4 | M5*16 |
| 18-17 | PLAIN WASHER | 94101-0514010-K | 4 | 5*14*1 |
| 18-18 | NYLON INSERT LOCK NUT | 90350-05000-K | 4 | M5 |

FENDER



| P/N | DESCRIPTION | PART.NO. | Q'TY | REMARK |
|-------|----------------------------|-----------------|------|------------|
| 19-1 | FRONT FENDER (GREEN) | 61100-156-G606 | 1 | Green |
| 19-1 | FRONT FENDER (BLUE) | 61100-156-B385 | 1 | Blue |
| 19-2 | REAR FENDER (GREEN) | 61000-156-G606 | 1 | Green |
| 19-2 | REAR FENDER (BLUE) | 61000-156-B385 | 1 | Blue |
| 19-3 | FRONT RH. MUDFLAP | 61105-156-000 | 1 | |
| 19-4 | FRONT LH. MUDFLAP | 61110-156-000 | 1 | |
| 19-5 | REAR RH. MUDFLAP | 61006-159-000 | 1 | |
| 19-6 | REAR LH. MUDFLAP | 61011-159-000 | 1 | |
| 19-7 | O-RING | 91313-131-000 | 2 | f60.5´f2.4 |
| 19-8 | ANTI-VIBRATION RUBBER | 81113-153-000 | 2 | |
| 19-9 | BATTERY RUBBER | 31510-131-000 | 1 | |
| 19-10 | PROTECTOR PAD | 80140-131-000 | 1 | |
| 19-11 | HEX BOLT WITH PLAIN WASHER | 92000-06016-K | 4 | M6´16 |
| 19-12 | WASHER | 96318-06016-K | 4 | M6´16 |
| 19-13 | U PLATE NUT | 90344-06000-C | 4 | M6 |
| 19-14 | HEX BOLT WITH FIX WASHER | 92003-06016-K | 2 | |
| 19-15 | PAN PHILLIPS BOLT | 93100-05012-K | 46 | M5´12 |
| 19-16 | NYLON INSERT LOCK NUT | 90350-05000-K | 46 | M5 |
| 19-17 | PLAIN WASHER | 94101-0514010-K | 46 | f5´f14´1mm |
| 19-18 | LEFT DECORATE COVER | 17660-156-000 | 1 | |
| 19-19 | RIGHT DECORATE COVER | 17650-156-000 | 1 | |
| 19-20 | PAN PHILLIPS BOLT | 93100-04016-K | 4 | M4x16 |
| 19-21 | PLAIN WASHER | 94101-0412010-K | 4 | 4*12*1 |
| 19-22 | NYLON INSERT LOCK NUT | 90350-04000-K | 4 | M4 |

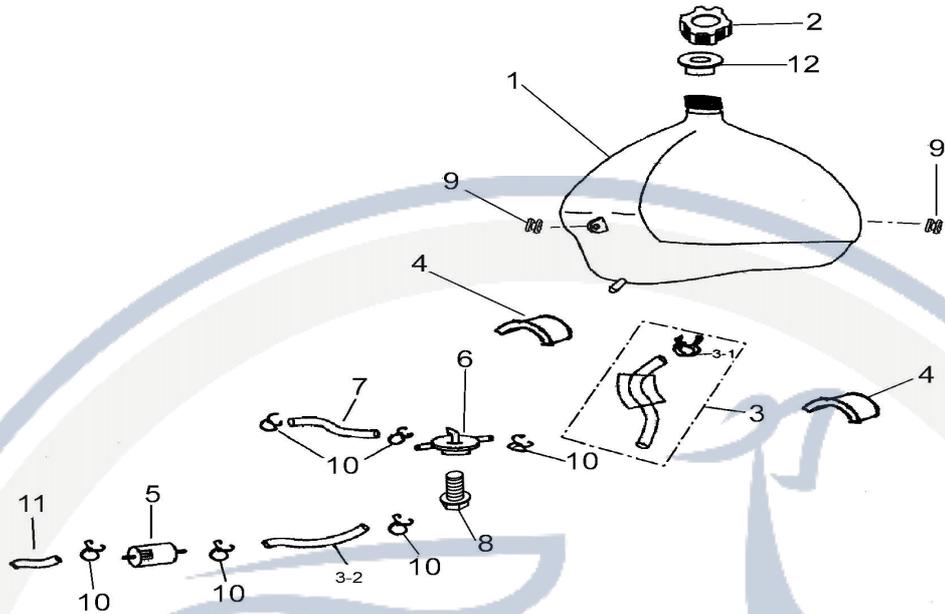
SEAT



| P/N | DESCRIPTION | PART.NO. | Q'TY | REMARK |
|--------|-------------------------|----------------|------|--------------|
| 20-1 | SEAT ASSY (BLUE/WHITE) | 77200-159-00A | 1 | for Blue ATV |
| 20-1 | SEAT ASSY (BROWN/BLACK) | 77200-156-00A3 | 1 | for Green |
| 20-1-1 | SEAT FIX HOOK | 77210-131-000 | 1 | |
| 20-1-2 | HEX FLANGE NUT | 94050-06000-C | 2 | M6 |

Motorroller.de
 - seit 1993 -

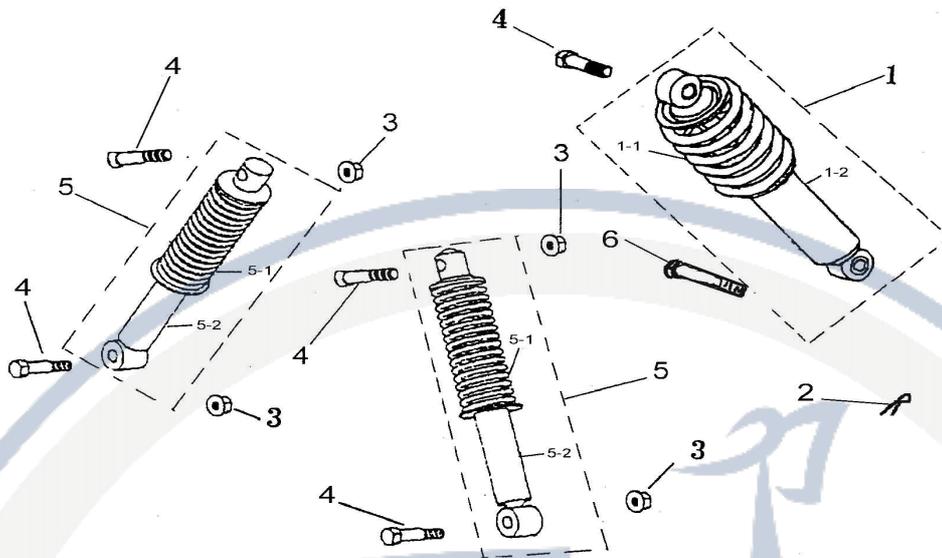
FUEL TANK



| P/N | DESCRIPTION | PART.NO. | Q'TY | REMARK |
|--------|----------------------|-----------------|------|----------|
| 21-1 | FUEL TANK COMP | 17500-156-000 | 1 | |
| 21-2 | FUEL TANK CAP | 17620-156-000 | 1 | |
| 21-2-1 | BREATHER SHEET | 17621-156-000 | 1 | |
| 21-3 | FUEL TUBE A | 94401-05009-1 | 1 | 210mmxØ5 |
| 21-3-1 | CLIP | 94510-12000 | 1 | |
| 21-3-2 | FUEL TUBE B | 94400-05009-100 | 1 | L=100mm |
| 21-4 | FUEL TANK RUBBER MAT | 64319-131-000 | 2 | |
| 21-5 | FUEL FILTER ASSY | 16952-111-000 | 1 | |
| 21-6 | COCK ASS'Y,FUEL AUTO | 16950-111-000 | 1 | |
| 21-7 | COCK ASS'Y,FUEL AUTO | 94400-04008-165 | 1 | L=165mm |
| 21-8 | HEX FLANGE BOLT | 96000-06016-K | 1 | M6x16 |
| 21-9 | GROMMER | 83574-131-000 | 2 | |
| 21-10 | CLIP | 94510-08000 | 6 | |
| 21-11 | FUEL TUBE C | 94401-04008 | 1 | 80mmØ4 |
| 21-12 | BREATHER FILM | 17625-131-001 | 1 | |

Motoroller.de
- seit 1993 -

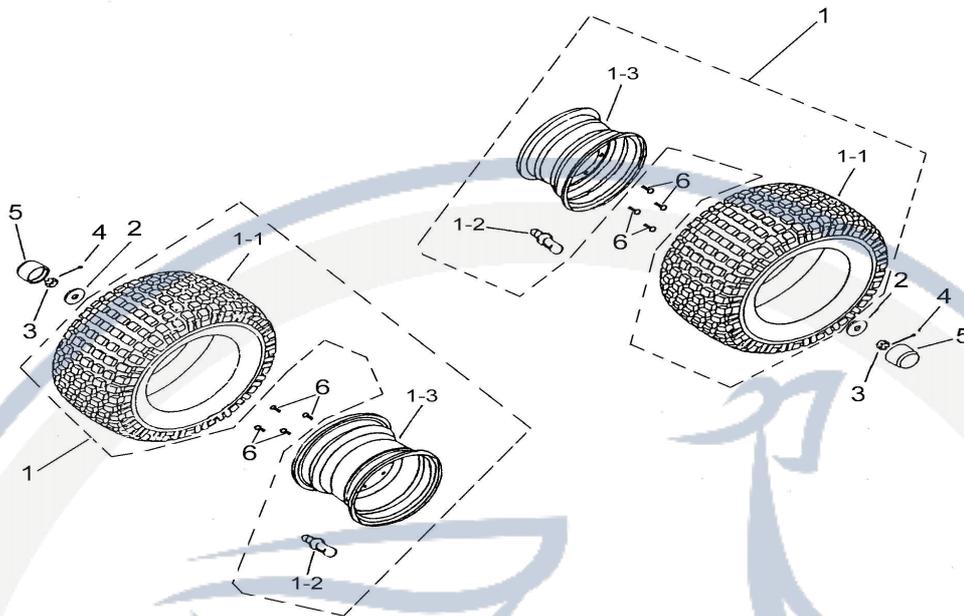
SUSPENSION



| P/N | DESCRIPTION | PART.NO. | Q'TY | REMARK |
|--------|-----------------------------|----------------|------|--------|
| 22-1 | REAR SUSPENSION | 52400-156-001 | 1 | Black |
| 22-1-1 | REAR SUSPENSION SPRING | 52401-156-001 | 1 | Black |
| 22-1-2 | REAR SUSPENSION INNER TUBE | 52402-156-000 | 1 | |
| 22-2 | COTTER PIN | 94201-24190 | 1 | |
| 22-3 | HEX FLANGE NUT | 94050-10000-C | 4 | M10 |
| 22-4 | HEX FLANGE NUT | 96000-10040-KL | 5 | M10*40 |
| 22-5 | FRONT SUSPENSION | 51100-156-001 | 2 | Black |
| 22-5-1 | FRONT SUSPENSION SPRING | 51101-156-000 | 2 | Black |
| 22-5-2 | FRONT SUSPENSION INNER TUBE | 51102-156-000 | 2 | |
| 22-6 | REAR SUSPENSION FIX AXLE | 52415-156-000 | 1 | Ø12x70 |

Motorroller.de
 - seit 1993 -

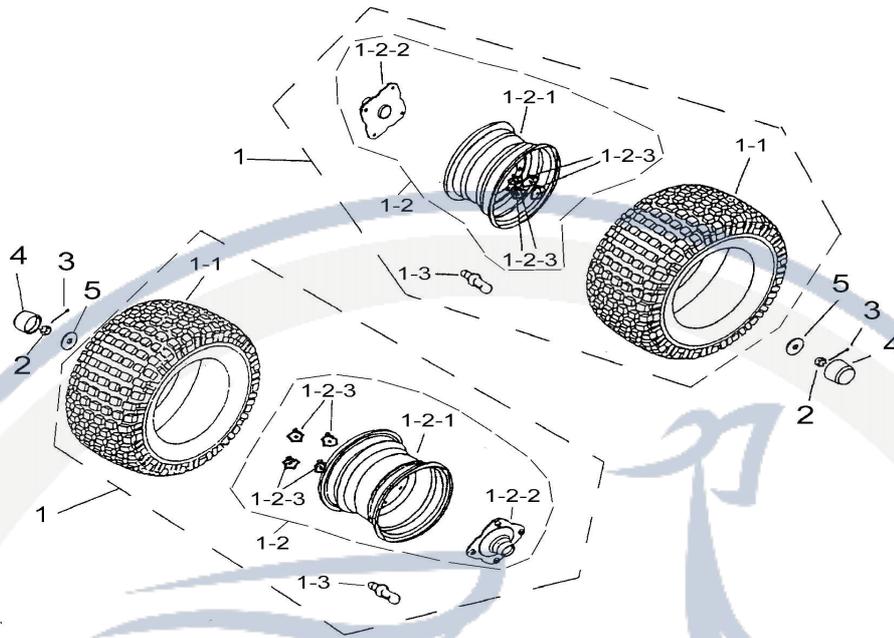
FRONT WHEEL



| P/N | DESCRIPTION | PART.NO. | Q'TY | REMARK |
|--------|-----------------------|-----------------|------|-----------|
| 23-1 | FRONT WHEEL ASS'Y | 42700-156-00R | 2 | 21x7-10 |
| 23-1-1 | TIRE | 42711-156-000 | 2 | 21x7-10 |
| 23-1-2 | RIM VALVE | 42616-131-000 | 2 | |
| 23-1-3 | WHEEL | 42701-156-000 | 2 | 10"x5.5 |
| 23-2 | PLAIN WASHER | 94102-1440045-C | 2 | 14x40x4.5 |
| 23-3 | INSERT LOCK NUT | 90352-14000-C | 2 | M14 |
| 23-4 | COTTER PIN | 94201-32320 | 2 | 3.2x32 |
| 23-5 | RUBBER CAP | 42730-151-000 | 2 | |
| 23-6 | NYLON INSERT LOCK NUT | 90350-10000-UC | 8 | M10 |

Motorroller.de
- seit 1993 -

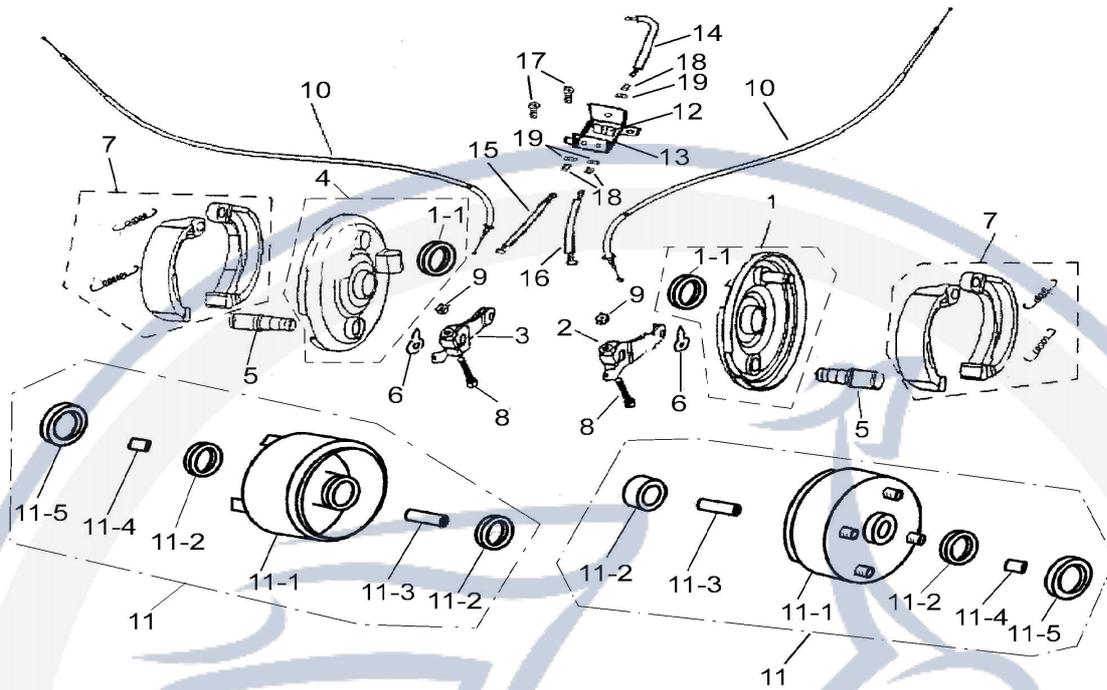
REAR WHEEL



| P/N | DESCRIPTION | PART.NO. | Q'TY | REMARK |
|----------|-----------------------|-----------------|------|-----------|
| 24-1 | REAR WHEEL ASS'Y | 42800-156-00S | 2 | 21x10-8 |
| 24-1-1 | TIRE | 42811-156-000 | 2 | 21x10-8 |
| 24-1-2 | REAR RIM ASS'Y | 42706-156-000 | 1 | |
| 24-1-2-1 | WHEEL | 42801-156-000 | 2 | 8"x8" |
| 24-1-2-2 | SHAFT CONNECTER | 97010-156-001 | 2 | |
| 24-1-2-3 | NYLON INSERT LOCK NUT | 90350-10000-UC | 8 | M10 |
| 24-1-3 | RIM VALVE | 42616-131-000 | 2 | |
| 24-2 | INSERT LOCK NUT | 90352-14000-C | 2 | M14 |
| 24-3 | COTTER PIN | 94201-32320 | 2 | 3.2x320 |
| 24-4 | RUBBER CAP | 42730-151-000 | 2 | |
| 24-5 | PLAIN WASHER | 94101-1440045-C | 2 | 14x40x4.5 |

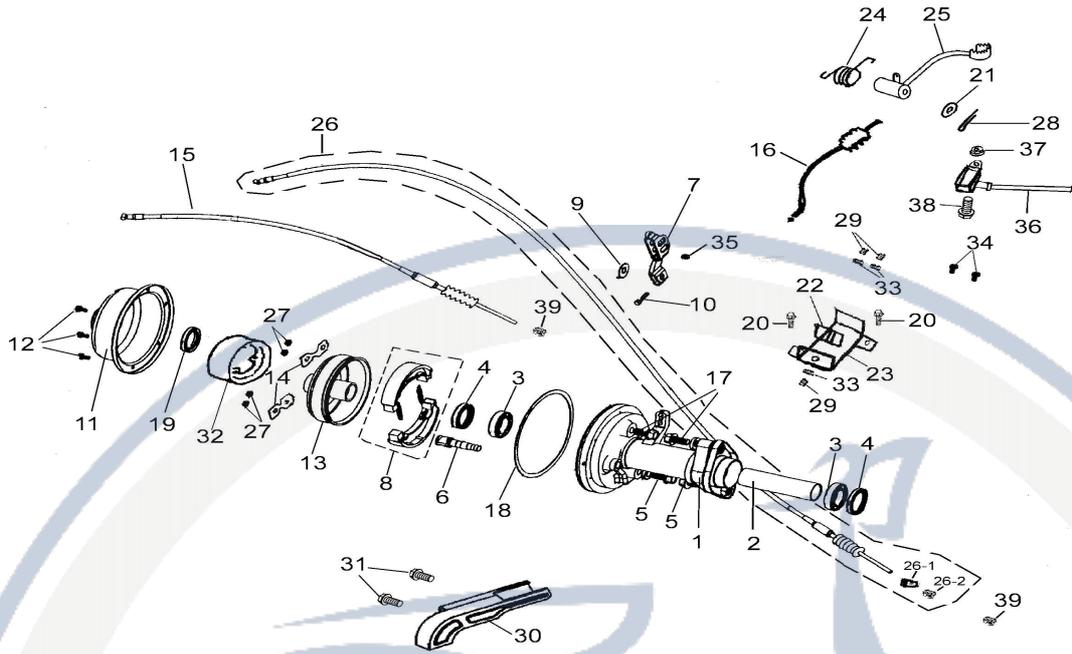
Motorroller.de
 - seit 1993 -

FRONT BRAKE DISK SYSTEM



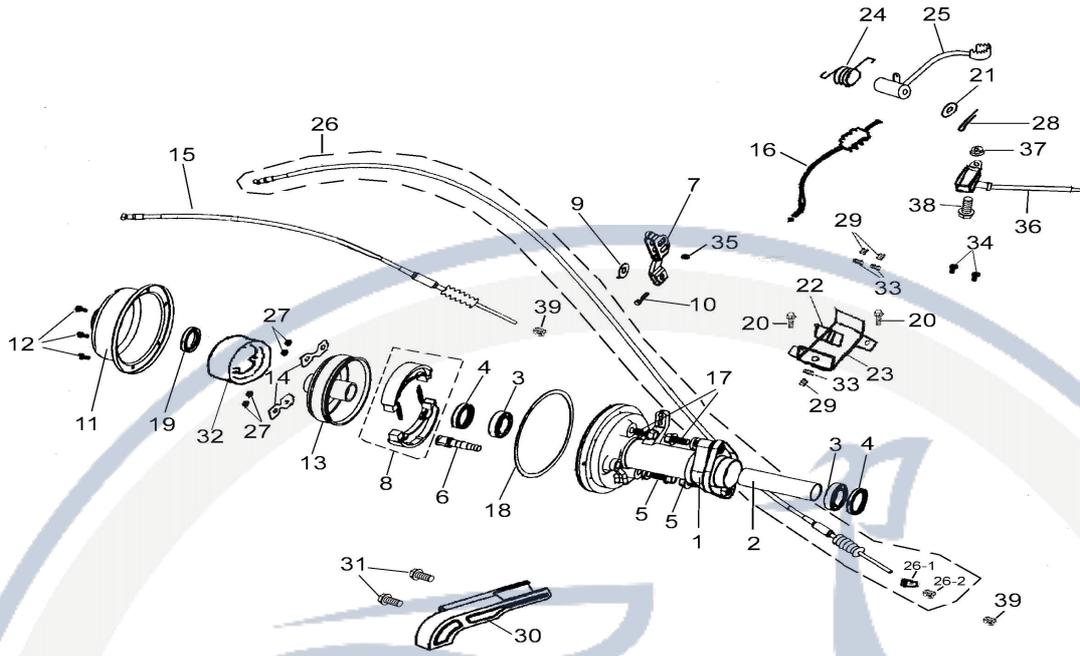
| P/N | DESCRIPTION | PART.NO. | Q'TY | REMARK |
|---------|-----------------------------------|---------------|------|---------|
| 25-1 | FRONT BRAKE PLATE (L) | 45010-156-001 | 1 | |
| 25-1-1 | OIL SEAL | 96500-4052060 | 2 | |
| 25-2 | FRONT BRAKE ARM (L) | 45410-159-000 | 1 | |
| 25-3 | FRONT BRAKE ARM (R) | 45409-159-000 | 1 | |
| 25-4 | FRONT BRAKE PLATE (R) | 45020-156-001 | 1 | |
| 25-5 | FRONT BRAKE CAM SHAFT | 45141-156-000 | 2 | |
| 25-6 | BRAKE GUIDE | 45142-156-000 | 2 | |
| 25-7 | BRAKE SHOE COMP | 43120-111-00C | 2 | ... |
| 25-8 | HEX BOLT | 96000-06032-C | 2 | M6x32 |
| 25-9 | HEX NUT | 94001-06000-C | 2 | M6 |
| 25-10 | FRONT BRAKE CABLE | 45450-156-001 | 2 | |
| 25-11 | FRONT BRAKE DRUM ASS'Y | 45005-156-000 | 2 | |
| 25-11-1 | FRONT BRAKE DRUM | 45008-156-000 | 2 | |
| 25-11-2 | BEARING | 96100-6003LU | 2 | 6003LU |
| 25-11-3 | INSIDE SPACER COLLAR | 44311-156-000 | 2 | |
| 25-11-4 | OUTSIDE SPACER COLLAR | 44312-156-000 | 2 | |
| 25-11-5 | OIL SEAL | 96500-2335060 | 2 | 23x35x6 |
| 25-12 | CONNECTER WIRE LEVELR | 45452-133-000 | 1 | |
| 25-13 | CONNECTER WIRE SEAT | 45453-133-000 | 1 | |
| 25-14 | FRONT PEDAL BRAKE CONNECTED CABLE | 45454-159-000 | 1 | |
| 25-15 | R.FRONT PEDAL BRAKE CABLE | 45455-159-000 | 1 | |
| 25-16 | L.FRONT PEDAL BRAKE CABLE | 45457-159-000 | 1 | |
| 25-17 | FLAT HEAD PHILLIPS BOLT | 93902-06008-B | 2 | M6*8 |
| 25-18 | INSERT BOLT | 45421-133-000 | 3 | |
| 25-19 | INSERT NUT | 45422-133-000 | 3 | |

REAR BRAKE DISK SYSTEM



| P/N | DESCRIPTION | PART.NO. | Q'TY | REMARK |
|---------|--------------------------|-----------------|------|-------------|
| 26-1 | REAR WHEEL AXLE FIX SEAT | 42805-159-000 | 1 | |
| 26-2 | SPACER COLLAR | 42810-156-000 | 1 | 42*35.5*143 |
| 26-3 | BEARING | 96100-6007ZZ | 2 | 6007ZZ NTN |
| 26-4 | OIL SEAL | 96500-426208 | 2 | 42*62-8 |
| 26-5 | HEX FLANGE BOLT | 96000-12038-C | 2 | M12*1.25*38 |
| 26-6 | REAR BRAKE CAM SHAFT | 43141-156-000 | 1 | |
| 26-7 | REAR BRAKE ARM | 43410-159-001 | 1 | |
| 26-8 | REAR BRAKE SHOE COMP | 43120-156-001 | 1 | |
| 26-9 | BRAKE GUIDE | 45144-156-000 | 1 | |
| 26-10 | HEX FLANGE BOLT | 96000-06032-10C | 1 | M6x32 |
| 26-11 | REAR BRAKE DRUM COVER | 43519-156-000 | 1 | |
| 26-12 | PAN PHILLIPS BOLT | 93501-06010-K | 3 | M6X10 |
| 26-13 | REAR BRAKE DRUM | 43520-156-000 | 1 | |
| 26-14 | BRAKE DRUM FIX WASHER | 43522-156-000 | 2 | |
| 26-15 | REAR BRAKE CABLE-HAND | 43449-159-000 | 1 | |
| 26-16 | REAR BRAKE CABLE-FOOT | 43451-159-000 | 1 | |
| 26-17 | HEX FLANGE BOLT | 96000-12032-C | 2 | M12*32 |
| 26-18 | O-RING | 91321-156-000 | 1 | |
| 26-19 | OIL SEAL | 96500-355007 | 1 | |
| 26-20 | FLAT HEAD PHILLIPS BOLT | 93902-06008-B | 2 | M6*8 |
| 26-21 | PLAIN WASHER | 94101-1225020-C | 1 | 12.5*25*2 |
| 26-22 | CONNECTER WIRE LEVELR | 45452-133-000 | 1 | |
| 26-23 | CONNECTER WIRE SEAT | 45453-133-000 | 1 | |
| 26-24 | SPRING | 43421-156-000 | 1 | |
| 26-25 | PENDAL BRAKE LEVER | 43454-133-000 | 1 | |
| 26-26 | REAR BRAKE CABLE | 43450-159-000 | 1 | |
| 26-26-1 | REAR BRAKE FIXTUBE | 95015-31001 | 2 | |
| 26-26-2 | BRAKE ADJUST NUT | 95015-41000 | 2 | |
| 26-27 | HEX NUT | 94001-08000-K | 4 | M8*1.25 |
| 26-28 | COTTER PIN | 94201-24190 | 1 | |
| 26-29 | INSERT BOLT | 45421-133-000 | 3 | |

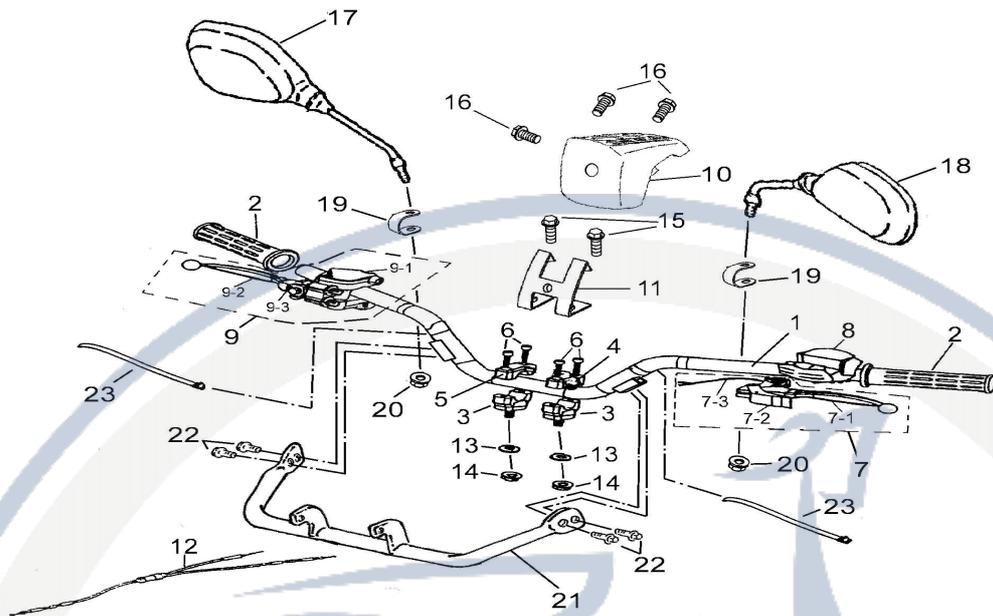
REAR BRAKE DISK SYSTEM



| | | | |
|-------|-------------------------------|---------------|---------|
| 26-30 | REAR COVER | 40550-156-000 | 1 |
| 26-31 | HEX FLANGE BOLT | 96000-08012-K | 2 M8X12 |
| 26-32 | NOISE ELIMINATION RING | 43524-156-000 | 1 |
| 26-33 | INSERT NUT | 45422-133-000 | 3 |
| 26-34 | HEX BOLT WITH FIX WASHER | 92000-06016-K | 2 M6X12 |
| 26-35 | HEX NUT | 94001-06000-C | 1 M6 |
| 26-36 | TOUCH SWITCH | 34912-156-001 | 1 |
| 26-37 | HEX NUT | 94001-03000-K | 1 M3 |
| 26-38 | PAN PHILLIPS BOLT WITH WASHER | 93501-03010-K | 1 M3*10 |
| 26-39 | HEX NUT | 94001-06000-C | 2 |

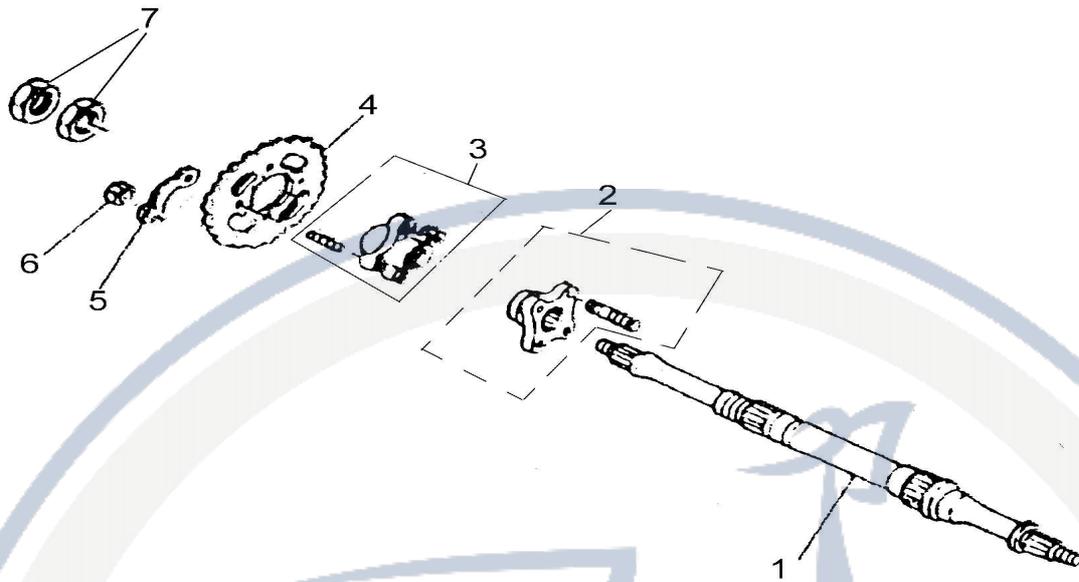
Motorroller.de
 - seit 1993 -

HANDLE STEERING COMP



| P/N | DESCRIPTION | PART.NO. | Q'TY | REMARK |
|--------|----------------------------|-----------------|------|---------|
| 27-1 | HANDLE BAR COMP | 53100-159-000 | 1 | |
| 27-2 | HANDLE GRIP | 53165-131-000 | 2 | |
| 27-3 | HANDLE BAR CLAMP SADDLE | 53200-131-000 | 2 | |
| 27-4 | HANDLE BAR CLAMP COVER (L) | 53210-131-000 | 1 | |
| 27-5 | HANDLE BAR CLAMP COVER (R) | 53220-131-000 | 1 | |
| 27-6 | HEX SOCKET BOLT | 91000-06025-K | 4 | M6x25 |
| 27-7 | LEFT LEVER ASS'Y | 53171-156-000 | 1 | |
| 27-7-1 | L. SIDE LEVER | 53178-131-000 | 1 | |
| 27-7-2 | HAND BRAKE PIECE | 53179-131-000 | 1 | |
| 27-7-3 | BRAKE SENSOR SWITCH CABLE | 53173-131-000 | 1 | |
| 27-8 | L. SWITCH ASS'Y | 35151-133-000 | 1 | |
| 27-9 | RIGHT LEVER ASS'Y | 53172-131-00A | 1 | |
| 27-9-1 | R. SIDE LEVER SEAT | 53176-131-000 | 1 | |
| 27-9-2 | R. SIDE LEVELR | 53175-131-000 | 1 | |
| 27-9-3 | CABLE STABILIZER | 53177-131-000 | 1 | |
| 27-10 | HANDLE BAR UPPER POD | 64213-159-000 | 1 | |
| 27-11 | PROTECT COVER FIX PLATE | 53310-156-000 | 1 | |
| 27-12 | THROTTLE CABLE | 17910-156-000 | 1 | |
| 27-13 | PLAIN WASHER | 94101-1022020-C | 2 | 10x22x2 |
| 27-14 | NYLON INSERT LOCK NUT | 90350-10000-C | 2 | M10 |
| 27-15 | HEX FLANGE BOLT | 96000-06012-K | 2 | M6x12 |
| 27-16 | PAN PHILLIPS BOLT | 93100-05012-K | 3 | M5x12 |
| 27-17 | R.BACK VIEW MIRROR | 88110-131-000 | 1 | |
| 27-18 | L.BACK VIEW MIRROR | 88120-131-000 | 1 | |
| 27-19 | REARVIEW FIXED PIECE | 88130-131-000 | 2 | |
| 27-20 | NYLON INSERT LOCK NUT | 90350-08000-C | 2 | |
| 27-21 | HEAD- LIGHT SUPPORT ROD | 53112-159-000 | 1 | |
| 27-22 | HEX FLANGE BOLT | 96000-06012-K | 4 | M6x12 |
| 27-23 | STRAP | 90768-151-000 | 2 | |

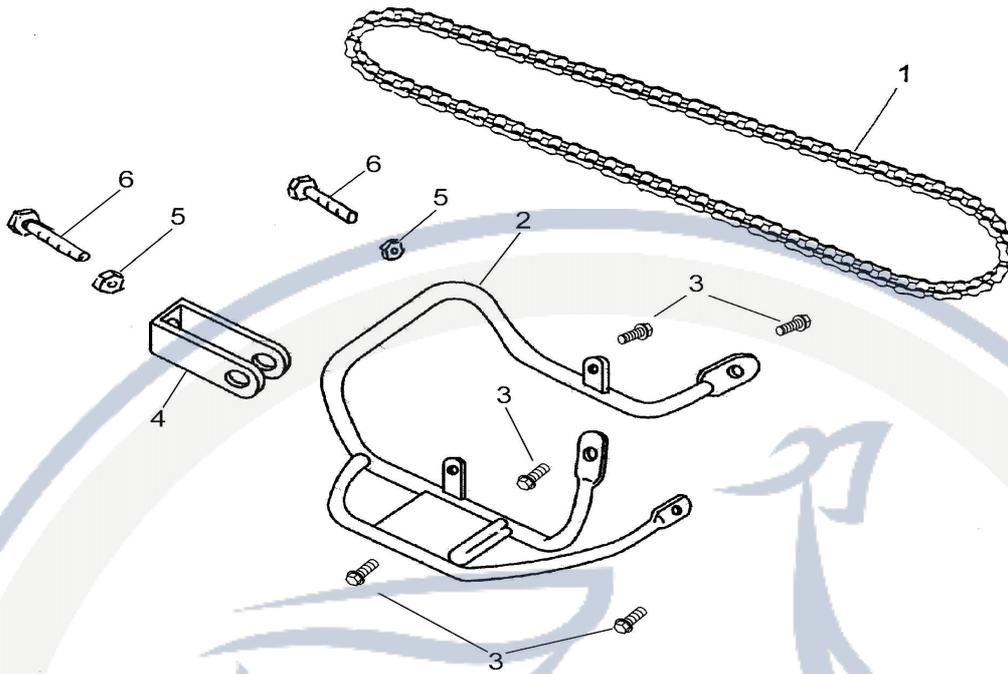
REAR WHEEL AXLE



| P/N | DESCRIPTION | PART.NO. | Q'TY | REMARK |
|------|-----------------------------|---------------|------|-------------|
| 28-1 | REAR AXLE | 97000-156-001 | 1 | |
| 28-2 | CONNECTING BRAKE DRUM SEAT | 97050-156-000 | 1 | |
| 28-3 | FINAL DRIVE SPROCKET HOLDER | 41210-156-000 | 1 | |
| 28-4 | FINAL DRIVE SPROCKET | 41201-156-000 | 1 | 32T 520 |
| 28-5 | FINAL DRIVE SPROCKET WASHER | 41202-156-000 | 2 | |
| 28-6 | HEX NUT | 94002-10000-C | 4 | M10X1.25-17 |
| 28-7 | HEX NUT | 94001-33000-K | 2 | M33X1.5 |

Motorroller.de
 - seit 1993 -

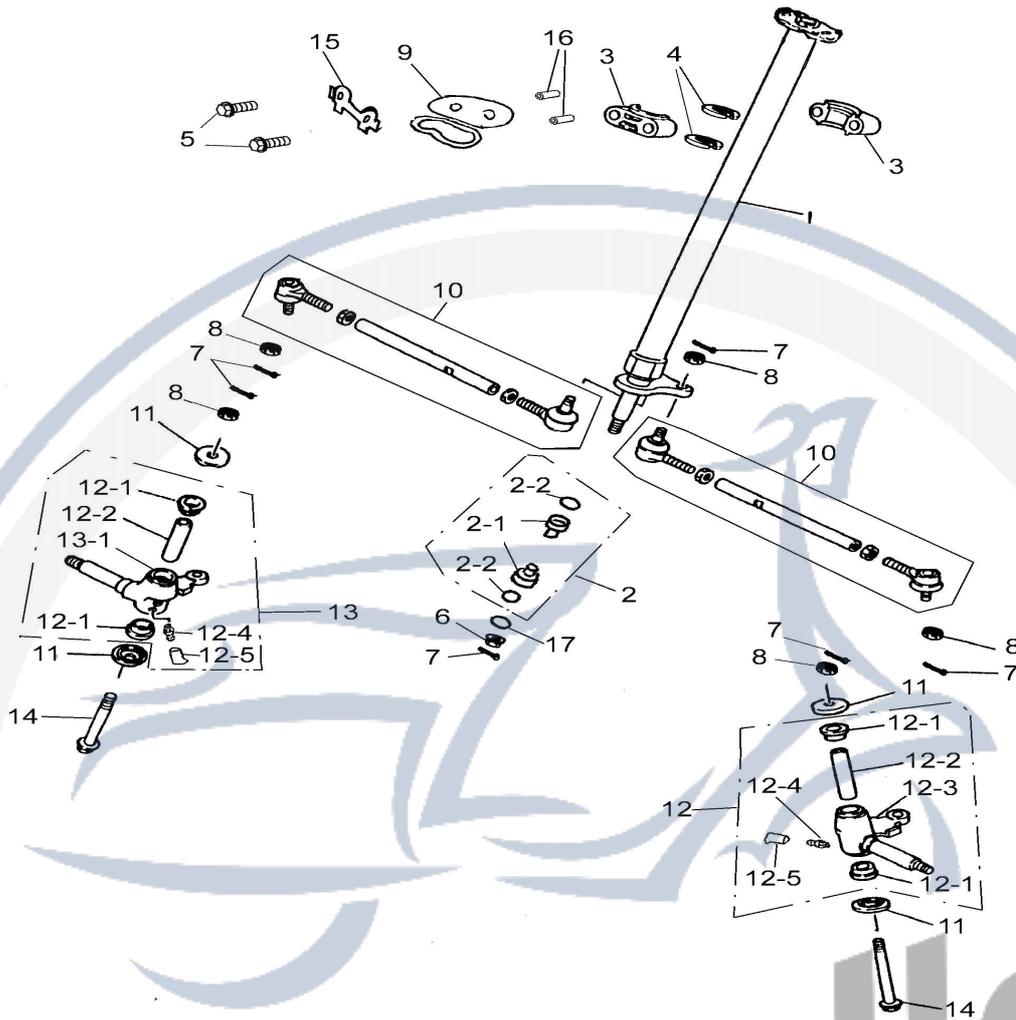
CHAIN



| P/N | DESCRIPTION | PART.NO. | Q'TY | REMARK |
|------|-------------------|---------------|------|---------|
| 29-1 | PRIVE CHAIN ASS'Y | 40530-159-000 | 1 | 520;72 |
| 29-2 | PROTECT COVER | 40520-156-000 | 1 | |
| 29-3 | HEX FLANGE BOLT | 96000-08016-K | 5 | M8X16 |
| 29-4 | ADJUSTER , CHAIN | 40543-156-000 | 1 | |
| 29-5 | HEX FLANGE NUT | 94050-08000-C | 2 | M8x1.25 |
| 29-6 | HEX BOLT | 92000-08060-B | 2 | M8x60 |

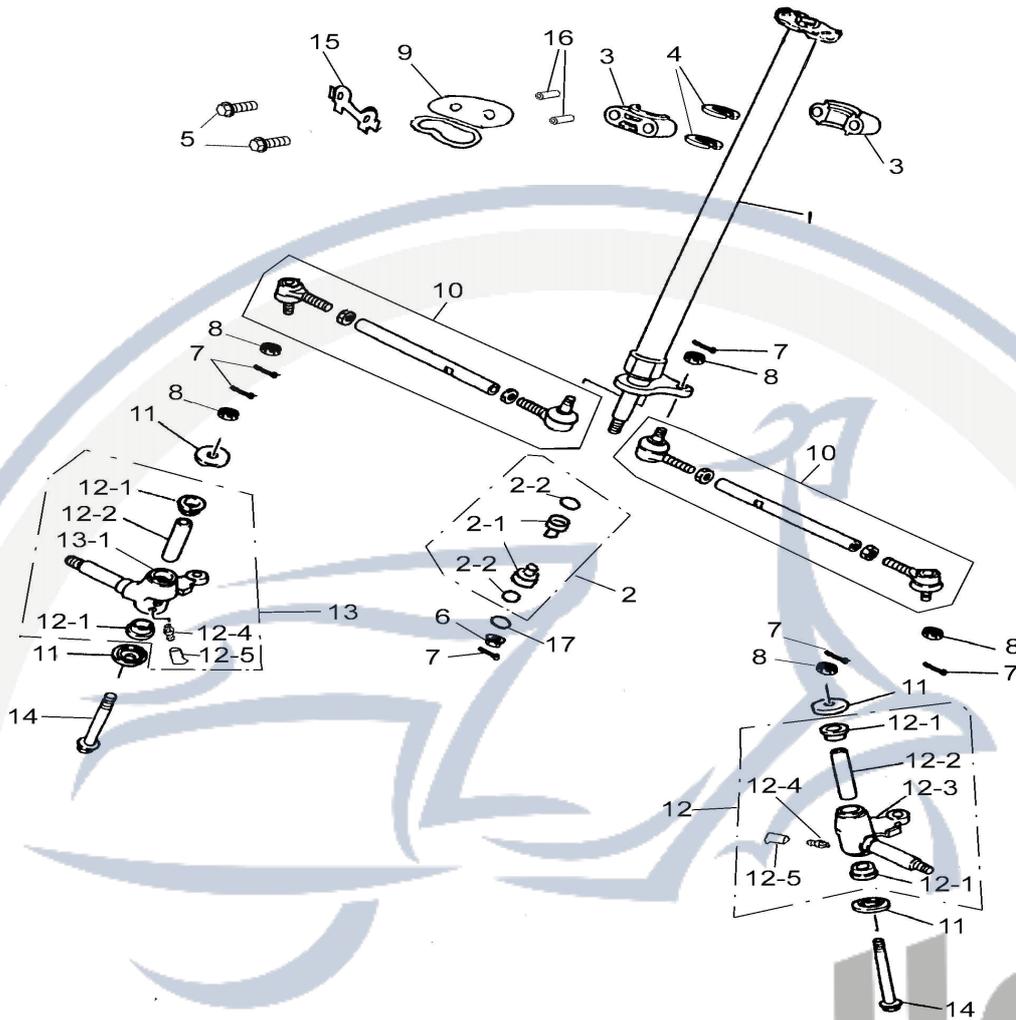
Motorroller.de
 - seit 1993 -

STEERING



| P/N | DESCRIPTION | PART NO. | Q'TY | REMARK |
|---------|-------------------------------|----------------|------|--------------|
| 30-1 | STEERING SHAFT | 51107-158-001 | 1 | |
| 30-2 | STEERING BEARING SEAT SET | 51115-156-000 | 2 | |
| 30-2-1 | STEERING BEARING SEAT | 51111-156-000 | 2 | |
| 30-2-2 | O-RING | 91322-156-000 | 2 | 15X2.5 |
| 30-3 | STEERING SHAFT HOLD | 53500-156-000 | 2 | |
| 30-4 | STEERING SHAFT OIL SEAL | 51220-156-000 | 2 | 31.8*37.8*4 |
| 30-5 | HEX BOLT | 92000-08060-B | 2 | M8*60 |
| 30-6 | HEX FLANGE NUT WITH SERRATION | 90350-14000-UC | 1 | M14*1.5 |
| 30-7 | COTTER PIN | 94201-24190 | 7 | 3/32*3/4 |
| 30-8 | INSERT LOCK NUT | 90352-10000-C | 6 | M10 |
| 30-9 | CABLE FIX SEAT | 51318-156-000 | 1 | |
| 30-10 | STEERING TIE-ROD ASS'Y | 53410-156-000 | 2 | |
| 30-11 | DUST COVER | 52424-156-000 | 4 | |
| 30-12 | KNUCKLE SET (L) | 51325-156-001 | 1 | |
| 30-12-1 | KNUCKLE HOLD | 51315-156-000 | 4 | |
| 30-12-2 | SPACER RING | 51316-156-000 | 2 | 10.5*17*73.5 |
| 30-12-3 | KNUCKLE (L) | 51310-156-001 | 1 | |
| 30-12-4 | GREASE VALVE | 51300-131-000 | 2 | |
| 30-12-5 | GREASE VALVE RUBBER CAP | 51301-131-000 | 2 | |

STEERING



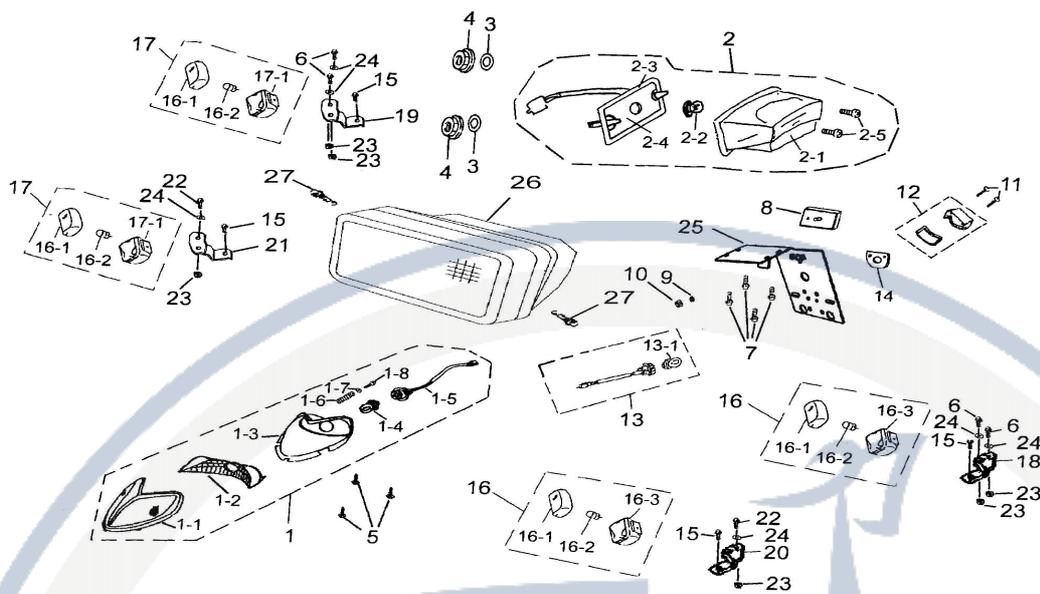
| | | | | |
|---------|---------------------------|-----------------|---|---------|
| 30-13 | KNUCKLE SET (R) | 51330-156-001 | 1 | |
| 30-13-1 | KNUCKLE (R) | 51320-156-001 | 1 | |
| 30-14 | HEX FLANGE BOLT WITH HOLD | 96200-10105-K | 2 | 10*105 |
| 30-15 | SPRING WASHER | 51319-156-000 | 1 | |
| 30-16 | SPACE RING | 51317-156-000 | 2 | 9x14x42 |
| 30-17 | PLAIN WASHER | 94101-1022020-C | 1 | 10*22*2 |

| | | | |
|-------|-----------------|---------------|---|
| 30-13 | KNUCKLE SET (R) | 51330-156-001 | 1 |
|-------|-----------------|---------------|---|

| | | | | |
|---------|---------------------------|-----------------|---|---------|
| 30-13-1 | KNUCKLE (R) | 51320-156-001 | 1 | |
| 30-14 | HEX FLANGE BOLT WITH HOLD | 96200-10105-K | 2 | 10*105 |
| 30-15 | SPRING WASHER | 51319-156-000 | 1 | |
| 30-16 | SPACE RING | 51317-156-000 | 2 | 9x14x42 |
| 30-17 | PLAIN WASHER | 94101-1022020-C | 1 | 10*22*2 |



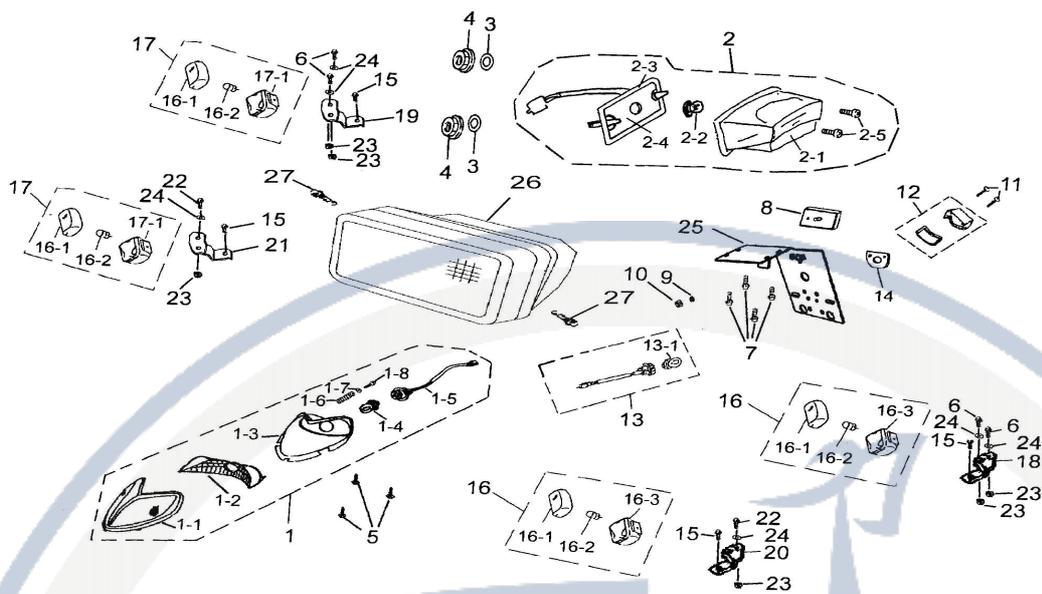
HEAD LIGHT , TAIL LIGHT



| | | | | |
|---------|-----------------------------|-----------------|---|------------|
| 31-17 | RIGHT FRONT SINGAL ASS'Y | 33400-116-00A | 2 | E mark |
| 31-17-1 | RIGHT FRONT SINGAL ASS'Y | 33401-116-000 | 2 | |
| 31-18 | L. SIGNAL FIXED PLATE | 33405-119-000 | 1 | |
| 31-19 | R. SIGNAL FIXED PLATE | 33404-119-000 | 1 | E mark |
| 31-20 | L. FRONT SIGNAL FIXED PLATE | 33410-159-000 | 1 | |
| 31-21 | R. FRONT SIGNAL FIXED PLATE | 33409-159-000 | 1 | |
| 31-22 | PAN PHILLIPS BOLT | 93100-05012-K | 6 | M5 '12 |
| 31-23 | NYLON INSERT LOCK NUT | 90350-05000-K | 6 | M5 |
| 31-24 | PLAIN WASHER | 94101-0514010-K | 6 | f5'f14'1mm |
| 31-25 | LICENSE BRACKET | 80116-131-000 | 1 | |
| 31-26 | HEADLIGHT | 33114-159-000 | 1 | |
| 31-27 | HEX FLANGE BOLT | 96000-08025-K | 2 | M8*25 |

Motorroller.de
- seit 1993 -

HEAD LIGHT , TAIL LIGHT

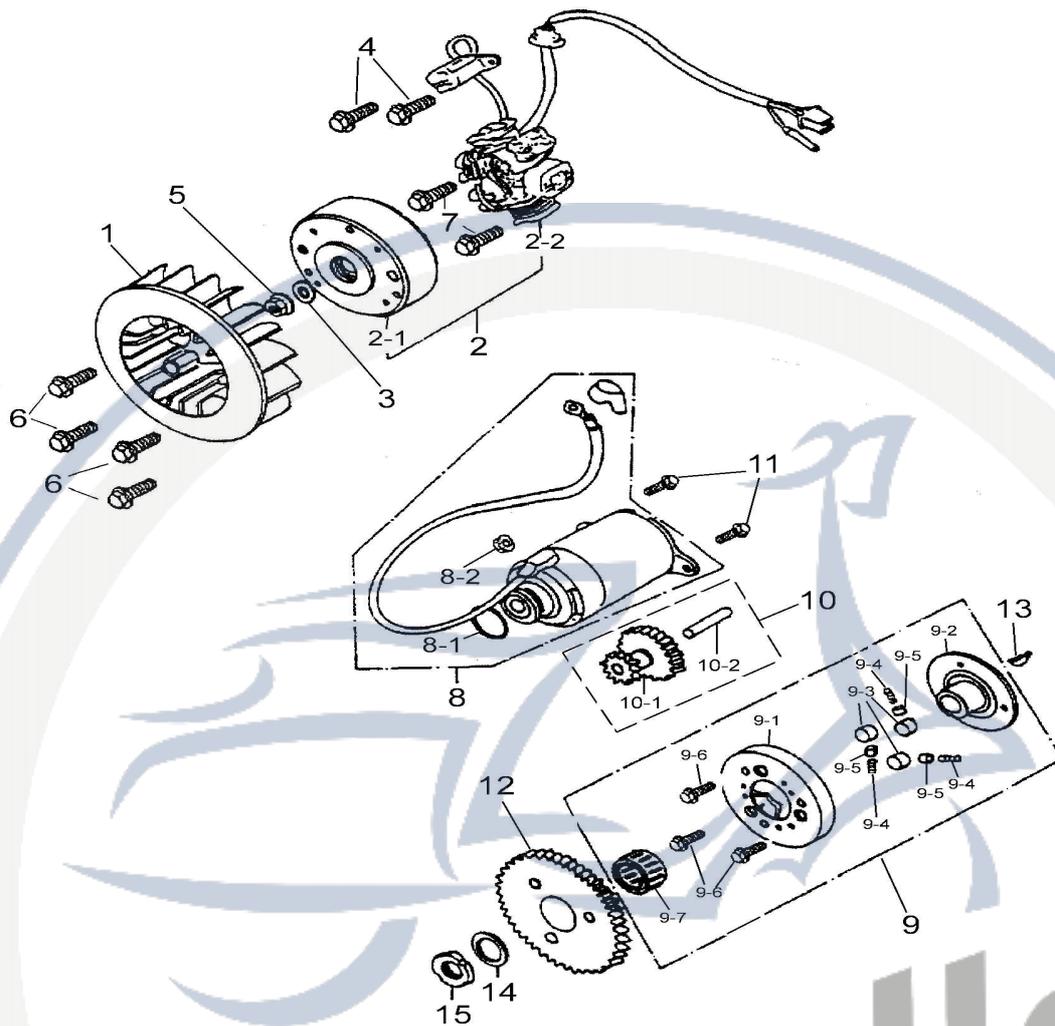


| P/N | DESCRIPTION | PART.NO. | Q'TY | REMARK |
|---------|--------------------------|-----------------|------|----------|
| 31-1 | HEAD LIGHT ASS'Y | 33112-156-000 | 2 | |
| 31-1-1 | HEAD LIGHT LENS | 33103-156-000 | 2 | |
| 31-1-2 | HEAD LIGHT REFLECTOR | 33104-156-000 | 2 | |
| 31-2 | TAIL LIGHT ASS'Y | 33700-131-00A | 1 | E mark |
| 31-2-1 | TAIL LIGHT LENS | 33702-131-00A | 1 | E mark |
| 31-2-2 | HEAD LIGHT BULB | 33906-116-00A | 1 | E-MARK |
| 31-2-3 | WATERPROOF GASKET | 33716-131-000 | 1 | |
| 31-2-4 | REAR LIGHT SOCKET | 33711-131-00A | 1 | E-MARK |
| 31-2-5 | PAN PHILLIPS BOLT | 93500-04035-SUS | 2 | M4*35 |
| 31-3 | PLAIN WASHER | 94101-0619010-C | 2 | f6'f19'1 |
| 31-4 | HEX FLANGE NUT | 94050-06000-C | 2 | M6 |
| 31-5 | TAPPING SCREW | 93901-04016-B | 2 | M4x16 |
| 31-6 | BULB ACCESSORIES ASS'Y | 33106-156-000 | 1 | |
| 31-6-1 | BULB | 33107-156-000 | 2 | |
| 31-6-2 | NUT | 33108-156-000 | 2 | |
| 31-6-3 | SPRING | 33109-156-000 | 2 | |
| 31-6-4 | PLAIN WASHER | 94101-0613010-C | 4 | 6x13x1 |
| 31-6-5 | PAN PHILLIPS BOLT | 93500-04028-B | 2 | M4x28 |
| 31-6-6 | LIGHT BULB SEAT SET | 33111-156-000 | 2 | |
| 31-6-7 | RUBBER WASHER | 33113-156-000 | 2 | |
| 31-7 | HEX FLANGE BOLT | 96000-06012-K | 4 | M6x12 |
| 31-8 | REFLECCTOR | 33741-131-000 | 1 | |
| 31-9 | PLAIN WASHER | 94101-0519010-C | 1 | |
| 31-10 | HEX FLANGE NUT | 94050-05000-C | 1 | |
| 31-11 | PAN PHILLIPS BOLT | 93500-04040-K | 2 | |
| 31-12 | LICENSE LIGHT COVER | 33710-131-000 | 1 | |
| 31-13 | LICENSE LIGHT SEAT | 33713-131-000 | 1 | |
| 31-13-1 | LICENSE BULB | 33709-131-000 | 1 | 12v5w |
| 31-14 | ANTI-WATER RUBBER | 33707-131-000 | 1 | |
| 31-15 | HEX FLANGE BOLT | 96000-05016-K | 4 | M5x16 |
| 31-16 | L. FRONT SIGNAL ASS'Y | 33450-116-00A | 2 | E mark |
| 31-16-1 | FRONT SIGNAL COVER | 33402-116-000 | 4 | |
| 31-16-2 | BULB | 33905-116-000 | 4 | 12V/10W |
| 31-16-3 | LEFT FRONT SINGAL SEAT | 33451-116-000 | 2 | |
| 31-17 | RIGHT FRONT SINGAL ASS'Y | 33400-116-00A | 2 | E mark |

| | | | | |
|---------|-----------------------------|-----------------|---|------------|
| 31-17-1 | RIGHT FRONT SINGAL ASS'Y | 33401-116-000 | 2 | |
| 31-18 | L. SIGNAL FIXED PLATE | 33405-119-000 | 1 | |
| 31-19 | R. SIGNAL FIXED PLATE | 33404-119-000 | 1 | E mark |
| 31-20 | L. FRONT SIGNAL FIXED PLATE | 33410-159-000 | 1 | |
| 31-21 | R. FRONT SIGNAL FIXED PLATE | 33409-159-000 | 1 | |
| 31-22 | PAN PHILLIPS BOLT | 93100-05012-K | 6 | M5 ´12 |
| 31-23 | NYLON INSERT LOCK NUT | 90350-05000-K | 6 | M5 |
| 31-24 | PLAIN WASHER | 94101-0514010-K | 6 | f5´f14´1mm |
| 31-25 | LICENSE BRACKET | 80116-131-000 | 1 | |
| 31-26 | HEADLIGHT | 33114-159-000 | 1 | |
| 31-27 | HEX FLANGE BOLT | 96000-08025-K | 2 | M8*25 |

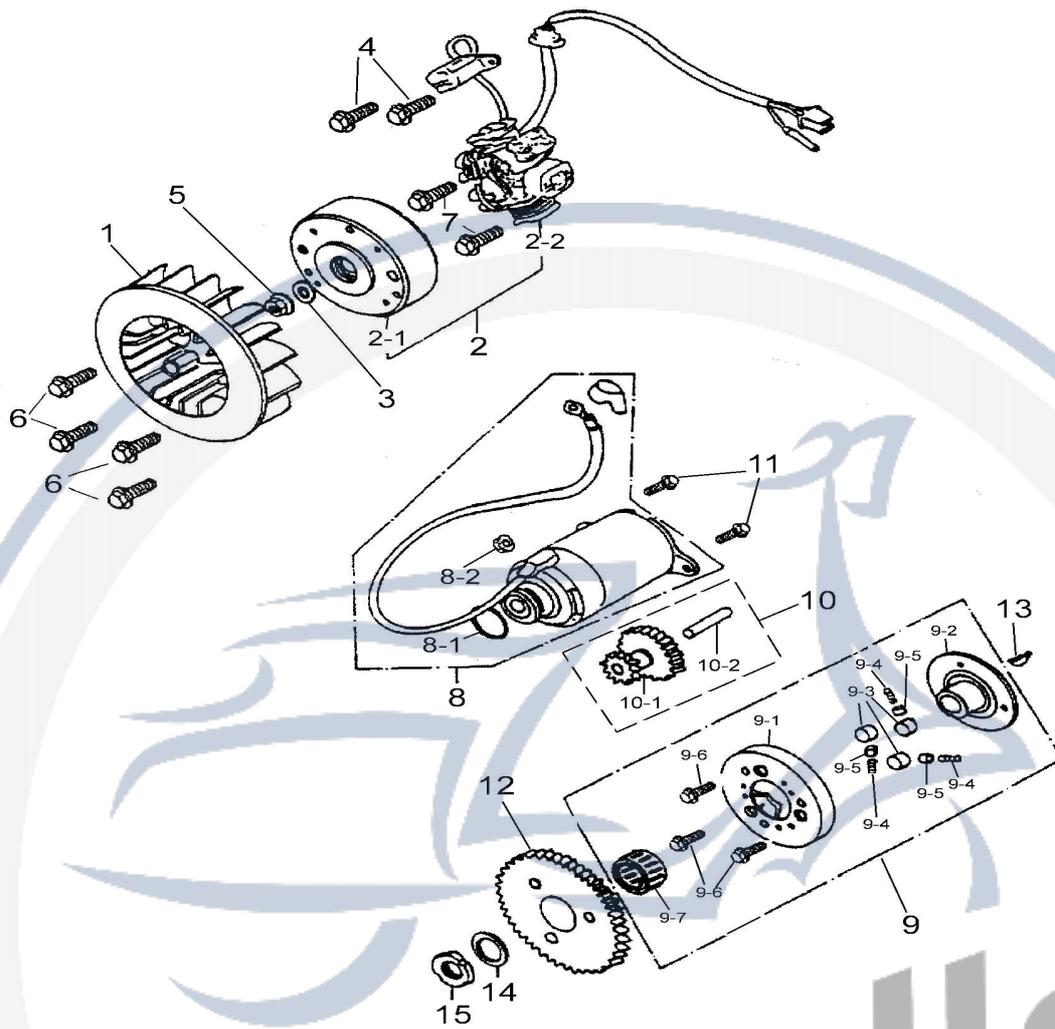


STARTER, GENERATOR



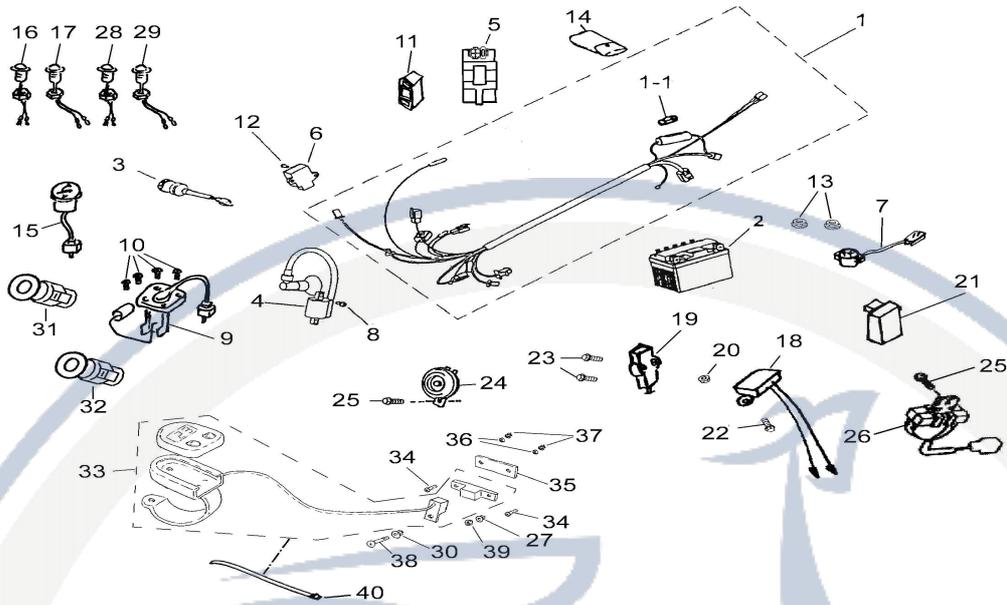
| P/N | DESCRIPTION | PART.NO. | Q'TY | REMARK |
|--------|--------------------------|-----------------|------|-----------|
| 32-1 | FAN | 19510-119-000 | 1 | |
| 32-2 | GENERATOR ASS'Y | 31100-119-000 | 1 | |
| 32-2-1 | GENERATOR FACE FLY WHEEL | 31110-119-000 | 1 | |
| 32-2-2 | STATOR COMP | 31120-119-000 | 1 | |
| 32-3 | PLAIN WASHER | 94101-1225023-C | 1 | 12X25X2.3 |
| 32-4 | HEX BOLT | 92000-05012-C | 2 | M5X12 |
| 32-5 | HEX FLANGE NUT | 94050-12000-C | 1 | M12 |
| 32-6 | HEX FLANGE BOLT | 96000-06018-8C | 4 | M6X18 |
| 32-7 | HEX FLANGE BOLT | 96000-06020-8C | 2 | M6X20 |
| 32-8 | STARTING MOTOR ASS'Y | 31200-119-000 | 1 | |
| 32-8-1 | OIL RING | 31200-119-000-1 | 1 | |
| 32-8-2 | HEX FLANGE NUT | 31200-119-000-2 | 1 | |
| 32-9 | STARTING CLUTCH ASS'Y | 28410-119-000 | 1 | |
| 32-9-1 | CLUTCH COVER COMP | 28120-119-000 | 1 | |
| 32-9-2 | FLANGE STARTING CLUTCH | 28125-119-000 | 1 | |
| 32-9-3 | CLUTCH ROLLER | 28411-119-000 | 3 | |
| 32-9-4 | CLUTCH SPRING | 28413-119-000 | 3 | |
| 32-9-5 | CLUTCH GUIDER | 28412-119-000 | 3 | |
| 32-9-6 | HEX SOCKET BOLT | 91000-06012-C | 3 | M6X12 |
| 32-9-7 | NEEDLE BEARING | 96200-283217 | 1 | |

STARTER, GENERATOR



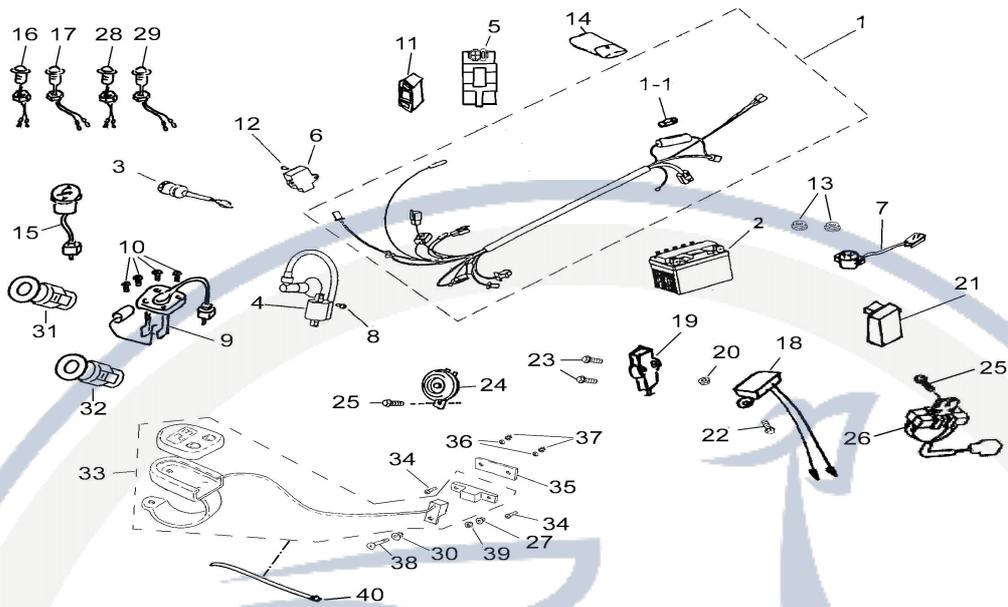
| | | | |
|---------|------------------------------|-----------------|-------------|
| 32-10 | GEAR STARTER REDUCTION ASS'Y | 28422-119-000 | 1 |
| 32-10-1 | GEAR STARTER REDUCTION | 28423-119-000 | 1 |
| 32-10-2 | SHAFT STARTER REDUCTION GEAR | 96300-119-000 | 1 |
| 32-11 | HEX FLANGE BOLT | 96000-06018-8C | 2 M6x18 |
| 32-12 | GEAR COMP STARTING CLUTCH | 28220-119-000 | 1 |
| 32-13 | SEMICYCLE KEY | 90471-119-000 | 1 |
| 32-14 | PLAIN WASHER | 94101-2231025-C | 1 22X31X2.5 |
| 32-15 | NUT | 94071-22000-C | 1 M22 |

ELECTRICAL PARTS



| P/N | DESCRIPTION | PART.NO. | Q'TY | REMARK |
|--------|-------------------------------|---------------|------|--------|
| 33-1 | MAIN WIRE ASS'Y | 32100-159-001 | 1 | |
| 33-1-1 | FUSE | 98200-156-000 | 1 | 15A |
| 33-2 | BATTERY | 31500-156-000 | 1 | 9A |
| 33-3 | MAIN SWITCH ASS'Y | 35100-131-00F | 1 | |
| 33-4 | IGNITION COIL ASS'Y | 30510-119-000 | 1 | |
| 33-5 | C.D.I. UNIT ASS'Y | 30410-159-000 | 1 | |
| 33-6 | RECTIFIER®ULATOR | 31600-119-000 | 1 | |
| 33-7 | STARTER RELAY ASSY. | 38501-119-000 | 1 | |
| 33-8 | HEX FLANGE BOLT | 96000-05020-C | 1 | M5x20 |
| 33-9 | PETROL GAUGE ASS'Y | 37800-156-000 | 1 | |
| 33-10 | HEX FLANGE BOLT | 96000-05016-K | 4 | M5x16 |
| 33-11 | FIX RUBBER | 30411-156-000 | 1 | |
| 33-12 | HEX FLANGE BOLT | 96000-06012-K | 1 | M6'12 |
| 33-13 | HEX FLANGE NUT | 94050-06000-K | 2 | M6 |
| 33-14 | TOOL BAG | 50120-119-000 | 1 | |
| 33-15 | PETROL GUIDE ASS'Y | 37802-156-000 | 1 | |
| 33-16 | NEUTRAL INDICATOR | 34910-158-000 | 1 | Green |
| 33-17 | TROUBLE INDICATOR | 34915-159-000 | 1 | |
| 33-18 | TOUCH SWITCH | 34912-156-001 | 1 | |
| 33-19 | REVERSE INDICATOR SWITCH | 34913-156-000 | 1 | |
| 33-20 | HEX NUT | 94001-03000-K | 1 | M3 |
| 33-21 | INDICATOR CONTROL | 34914-156-000 | 1 | |
| 33-22 | PAN PHILLIPS BOLT WITH WASHER | 93501-03010-K | 1 | M3x10 |
| 33-23 | HEX SOCKET BOLT | 91000-05016-K | 2 | M5x16 |
| 33-24 | HORN (E-MARK) | 38110-119-000 | 1 | |
| 33-25 | HEX WASHER FACE BOLT | 96000-06012-K | 2 | M6x12 |
| 33-26 | RESISTOR | 38601-111-000 | 1 | |
| 33-27 | NYLON INSERT LOCK NUT | 90350-05000-K | 1 | M5 |
| 33-28 | LOW BEAM INDICATOR | 34907-159-000 | 1 | |
| 33-29 | HIGH BEAM INDICATOR | 34910-159-000 | 1 | |
| 33-30 | NYLON INSERT LOCK NUT | 90350-08000-K | 1 | M8 |
| 33-31 | SIGNAL BUZZER | 38301-111-000 | 1 | |
| 33-32 | SIGNAL WARNER | 38302-133-000 | 1 | |

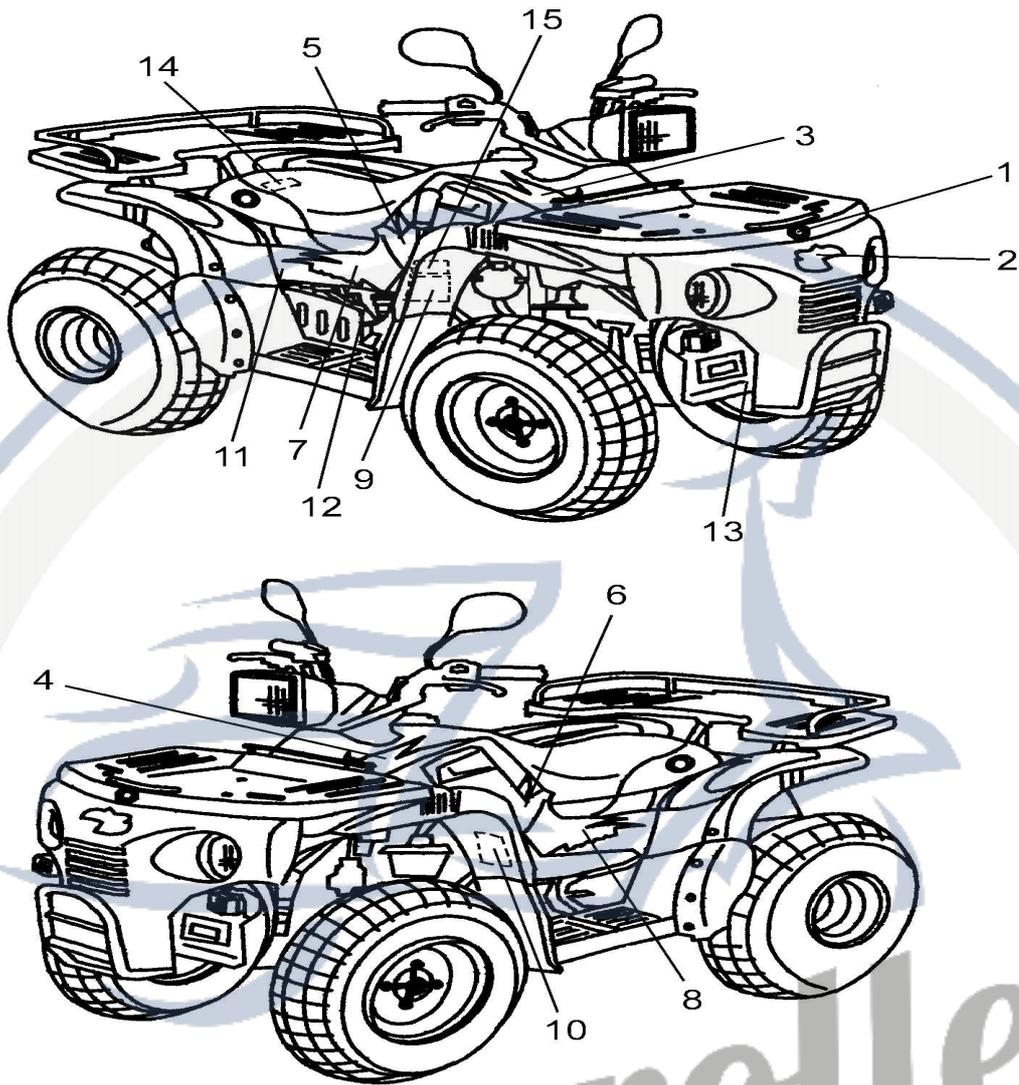
ELECTRICAL PARTS



| | | | |
|-------|-------------------------|-----------------|----------|
| 33-33 | SPEEDOMETER ASS'Y | 37200-159-000 | 1 |
| 33-34 | PAN PHILLIPS BOLT | 93500-04016-K | 2 M4'16 |
| 33-35 | SPEEDOMETER FIXED PLATE | 37201-159-000 | 1 |
| 33-36 | PLAIN WASHER | 94101-0412010-K | 2 4'12'1 |
| 33-37 | NYLON INSERT LOCK NUT | 90350-04000-K | 2 M4 |
| 33-38 | PAN PHILLIPS BOLT | 93500-05016-K | 1 M5'16 |
| 33-39 | PLAIN WASHER | 94101-0514010-K | 1 5'14'1 |
| 33-40 | STRAP | 90768-151-000 | 1 |

Motorroller.de
 - seit 1993 -

DECALS



| P/N | DESCRIPTION | PART.NO. | Q'TY | REMARK |
|-------|--------------------------|----------------|------|---------------|
| 34-1 | DECAL - AEON | 87711-131-000 | 1 | |
| 34-2 | DECAL - COBRA 125 | 87712-159-000 | 1 | |
| 34-3 | DECAL-FUEL TANK (R) | 87720-159-00F1 | 1 | for Blue ATV |
| 34-3 | DECAL-FUEL TANK (R) | 87720-159-00F2 | 1 | for Green ATV |
| 34-4 | DECAL - FUEL TANK (L) | 87721-159-00F1 | 1 | for Blue ATV |
| 34-4 | DECAL - FUEL TANK (L) | 87721-159-00F2 | 1 | for Green ATV |
| 34-5 | DECAL-FRONT FENDER (R) | 87716-159-00F1 | 1 | for Blue ATV |
| 34-5 | DECAL-FRONT FENDER (R) | 87716-159-00F2 | 1 | for Green ATV |
| 34-6 | DECAL-FRONT FENDER (L) | 87715-159-00F1 | 1 | for Blue ATV |
| 34-6 | DECAL-FRONT FENDER (L) | 87715-159-00F2 | 1 | for Green ATV |
| 34-7 | DECAL-REAR FENDER (R) | 87730-159-000 | 1 | |
| 34-8 | DECAL-REAR FENDER (L) | 87731-159-000 | 1 | |
| 34-9 | DECAL - WARING (Y-16) | 87751-159-000 | 1 | (Y-16) |
| 34-10 | DECAL - WARING | 87752-159-000 | 1 | |
| 34-11 | DECAL - WARING CHAIN | 87758-156-000 | 1 | |
| 34-12 | DECAL-TRANSMISSION | 87759-156-000 | 1 | |
| 34-13 | DECAL-VIN CODE | 87771-074029 | 1 | |
| 34-14 | ANTI RE-EQUIP STICKER | 87771-060040 | 1 | |
| 34-15 | DECAL-REVERSE WARING | 87754-156-000 | 1 | |