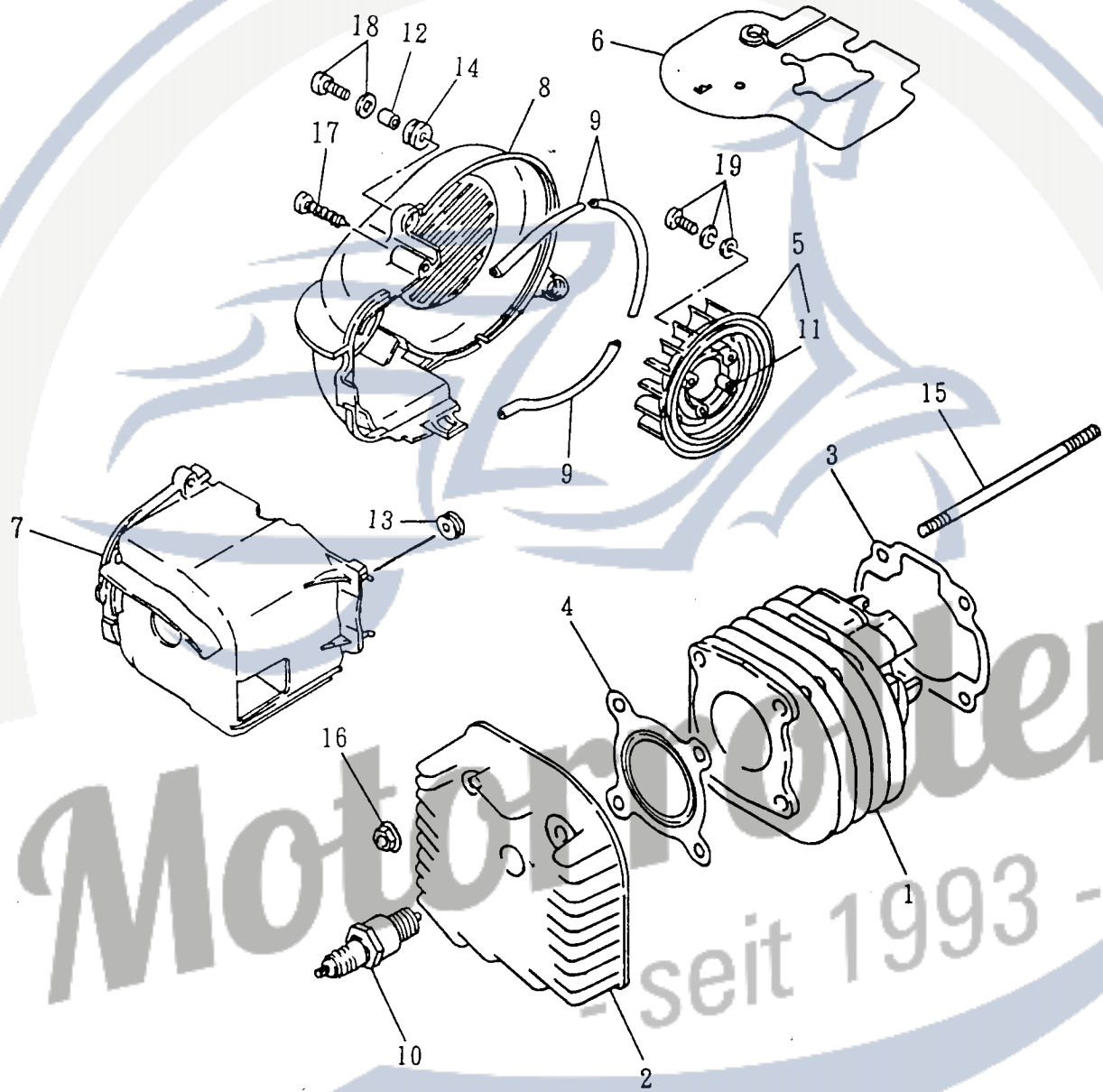


# CONTENTS

## 目錄

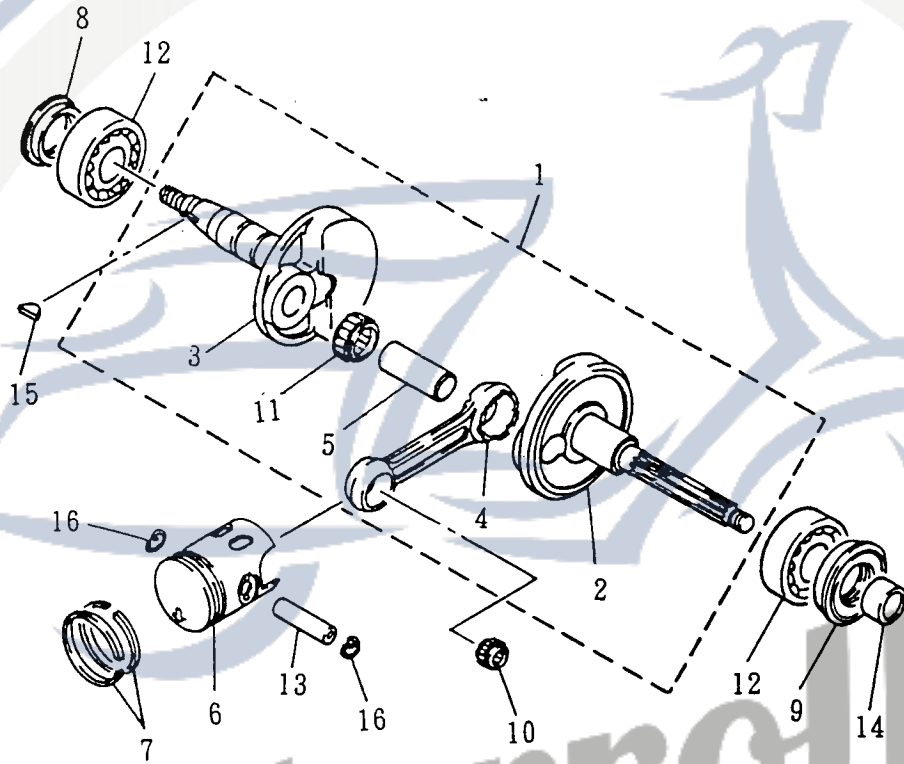
FIG. 01 CYLINDER.COOLING COWL 汽缸 冷卻系統	1	FIG. 21 COWLING 整流罩	55
FIG. 02 CRANKSHAFT.PISTON 曲軸 活塞	3	FIG. 22 SPEEDOMETER 速度表	57
FIG. 03 OIL PUMP 潤滑油泵	5	FIG. 23 HEADLIGHT 前燈	59
FIG. 04 CARBURETOR 化油器	7	FIG. 24 TAILLIGHT 後燈	61
FIG. 05 INTAKE 空氣吸入口	9	FIG. 25 FRONT WHEEL 前輪	65
FIG. 06 CRANKCASE 曲軸箱	11	FIG. 26 REAR WHEEL 後輪	67
FIG. 07 STARTER 起動機構	15	FIG. 27 ELECTRICAL 電裝	69
FIG. 08 CLUTCH 離合器	19	FIG. 28 Numerical Index 部品番號索引	71
FIG. 09 TRANSMISSION 傳動機構	23		
FIG. 10 EXHAUST 排氣管	25		
FIG. 11 GENERATOR.MOTOR 發電機 馬達	27		
FIG. 12 FRAME 車架	29		
FIG. 13 FRONT FORK 前叉	33		
FIG. 14 FENDER.INNER BOX 擋風板 行李箱	37		
FIG. 15 SIDE COVER.FOOTREST 側蓋 腳踏板	39		
FIG. 16 STAND 支架	43		
FIG. 17 SEAT 座墊	45		
FIG. 18 TANK 油箱	47		
FIG. 19 CABLE.SWITCH 鋼索 開關	49		
FIG. 20 FRONT MASTER CYLINDER 前主缸	53		

Motorroller.de  
- seit 1993 -



## FIG 01 CYLINDER.COOLING COWL 汽缸.冷卻系統

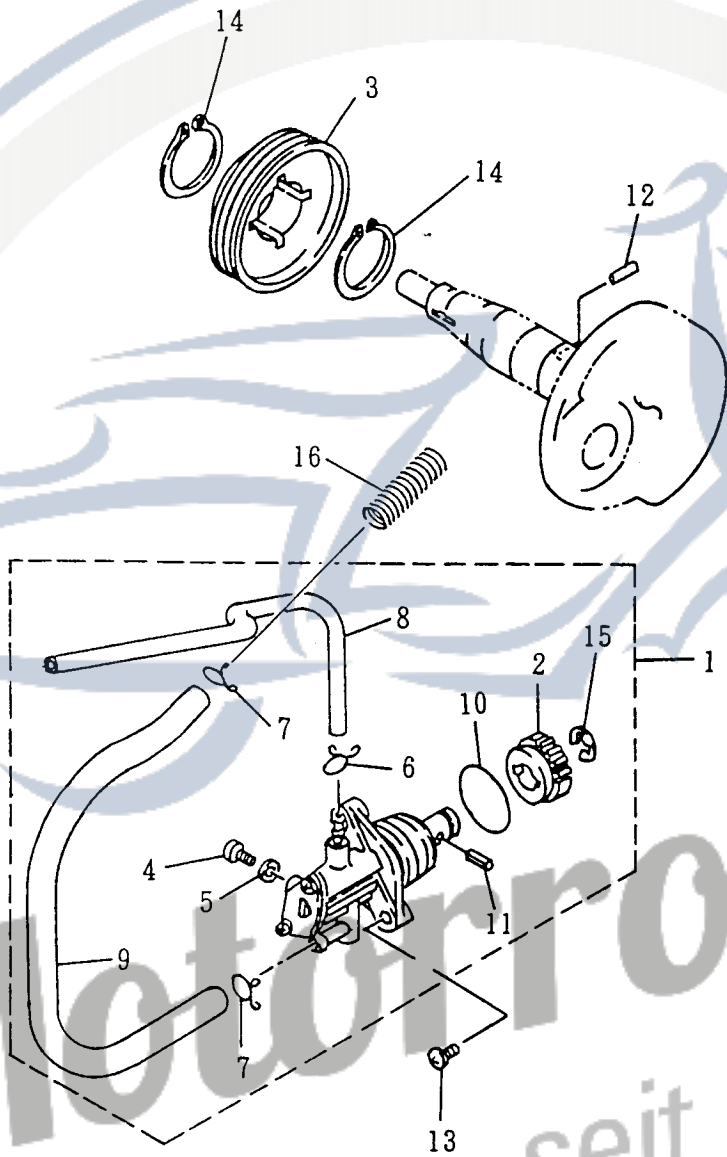
NO.	PARTS NO.	PARTS NAME		Q'TY	PRICE	REMARK
1	11111-NAF-00	CYLINDER	汽缸	1		
2	11121-NAF-00	HEAD,cylinder	汽缸蓋	1		
3	11151-NAF-00	GASKET,cylinder	汽缸墊片	1		
4	11181-NAF-00	GASKET,cylinder head	汽缸蓋墊片	1		
5	12611-NAF-00	FAN	風扇	1		
6	12631-NAF-00	DEFLECTOR	轉折板	1		
7	12651-NAF-00	AIR SHROUD,cylinder	汽缸護罩	1		
8	12653-NAF-00	AIR SHROUD,fan	風扇護蓋	1		
9	12658-NAF-00	DAMPER,air shroud	風扇護蓋防震墊	3		
10	62210-NAF-01	PLUG,spark (NGK BPR7HS)	火星塞總成	1		
11	93560-68509	COLLAR	軸環	4		
12	93560-68510	COLLAR	軸環	2		
13	93580-41810	GROMMET	汽缸護罩套環	2		
14	93580-81610	GROMMET	套環	2		
15	94717-07109-C	BOLT,stud	雙頭螺栓	4		
16	95401-071007-C	NUT,flange	凸緣螺帽	4		
17	96110-64016-C	SCREW,tapping	自攻螺絲	1		
18	96312-06020-K	SCREW,pan head with washer	十字孔頭螺絲附墊圈	2		
19	96314-06016-C	SCREW,pan head with washer	十字孔頭螺絲附墊圈	4		



Motorroller.de  
- seit 1993 -

## FIG 02 CRANKSHAFT.PISTON 曲軸 活塞

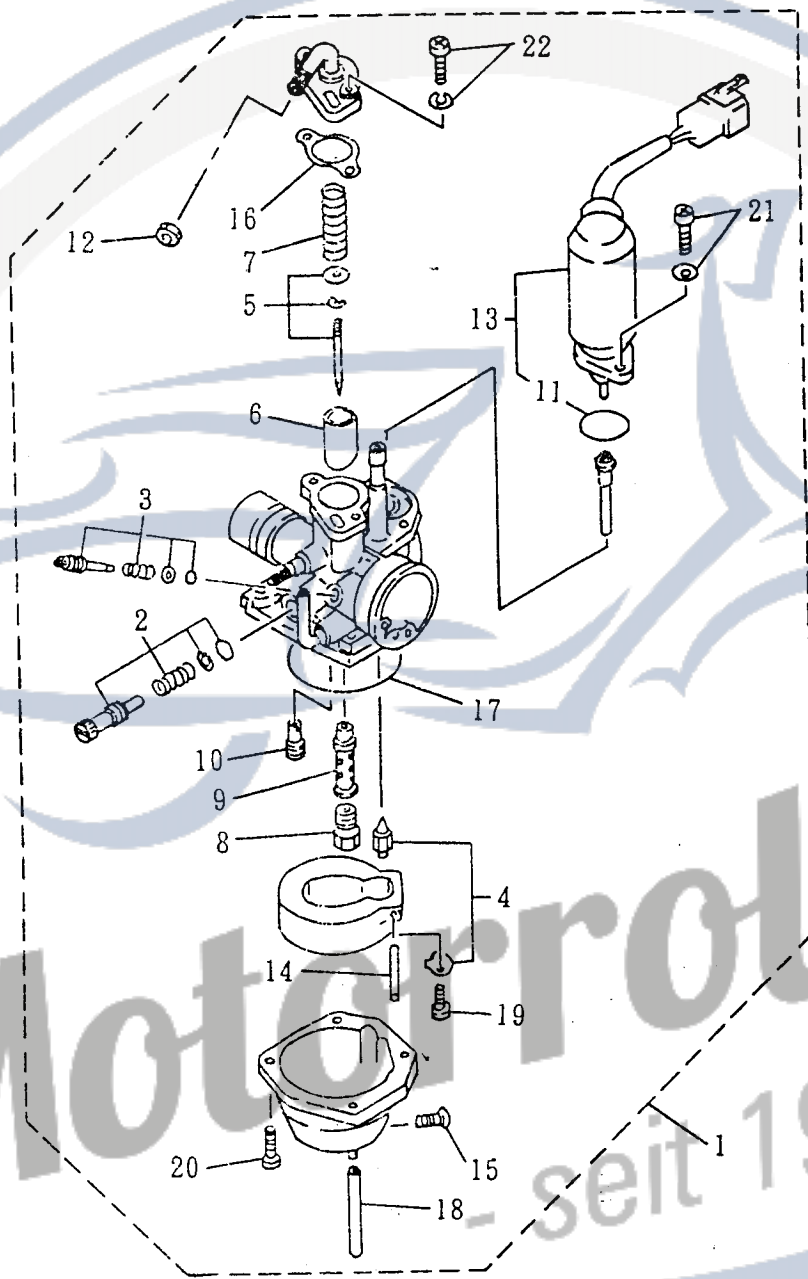
NO.	PARTS NO.	PARTS NAME		Q'TY	PRICE	REMARK
1	11400-NAF-00	CRANKSHAFT ASSEMBLY	曲軸總成	1		
2	11412-NAF-00	.CRANK L	左曲軸	1		
3	11422-NAF-00	.CRANK R	右曲軸	1		
4	11451-NAF-00	.ROD,connecting	連桿	1		
5	11481-NAF-00	.PIN,crank	曲軸銷	1		
6	11631-NAF-00	PISTON (STD)	活塞	1		
7	11636-NAF-00	PISTON RING SET (STD)	活塞環組	1		
8	93110-20306	OIL SEAL	油封	1		
9	93110-20428	OIL SEAL	油封	1		
10	93310-1014125	BEARING,needle roller	滾針軸承	1		
11	93310-1622118	.BEARING,needle roller	滾針軸承	1		
12	93320-204714	BEARING,radial ball	滾珠軸承	2		
13	93510-051033	PIN,piston	活塞銷	1		
14	93510-152012	COLLAR	左曲軸隔環	1		
15	94420-03013	KEY,semicircle	半圓鍵	1		
16	97050-10012	CIRCLIP	活塞銷止動環	2		





### FIG 03 OIL PUMP 潤滑油泵

NO.	PARTS NO.	PARTS NAME		Q'TY	PRICE	REMARK
1	13100-NAF-00	OIL PUMP ASSEMBLY	潤滑油泵總成	1		
2	13124-NAF-00	.GEAR WORM WHEEL	蝸輪	1		
3	13178-NAF-00	GEAR,pump drive	驅動齒輪	1		
4	13185-NAF-00	.BOLT,breather	螺栓	1		
5	13187-NAF-00	.GASKET,breather bolt	墊圈	1		
6	90210-06005	.CLIP	管夾	1		
7	90210-08009	.CLIP	管夾	2		
8	90310-20050	.HOSE	耐油管	1		
9	90310-50090	.HOSE	耐油管	1		
10	93210-16195	.O-RING	護油圈	1		
11	94430-30012	.PIN,dowel	彈簧銷	1		
12	94510-30012	PIN,dowel	滾針	1		
13	96310-05014-C	SCREW,pan head	十字孔頭螺絲	2		
14	97010-19012	CIRCLIP	C形扣環	2		
15	97011-07008	.CIRCLIP	E形扣環	1		
16	97501-08103	SPRING,compression	油管保護彈簧	1		

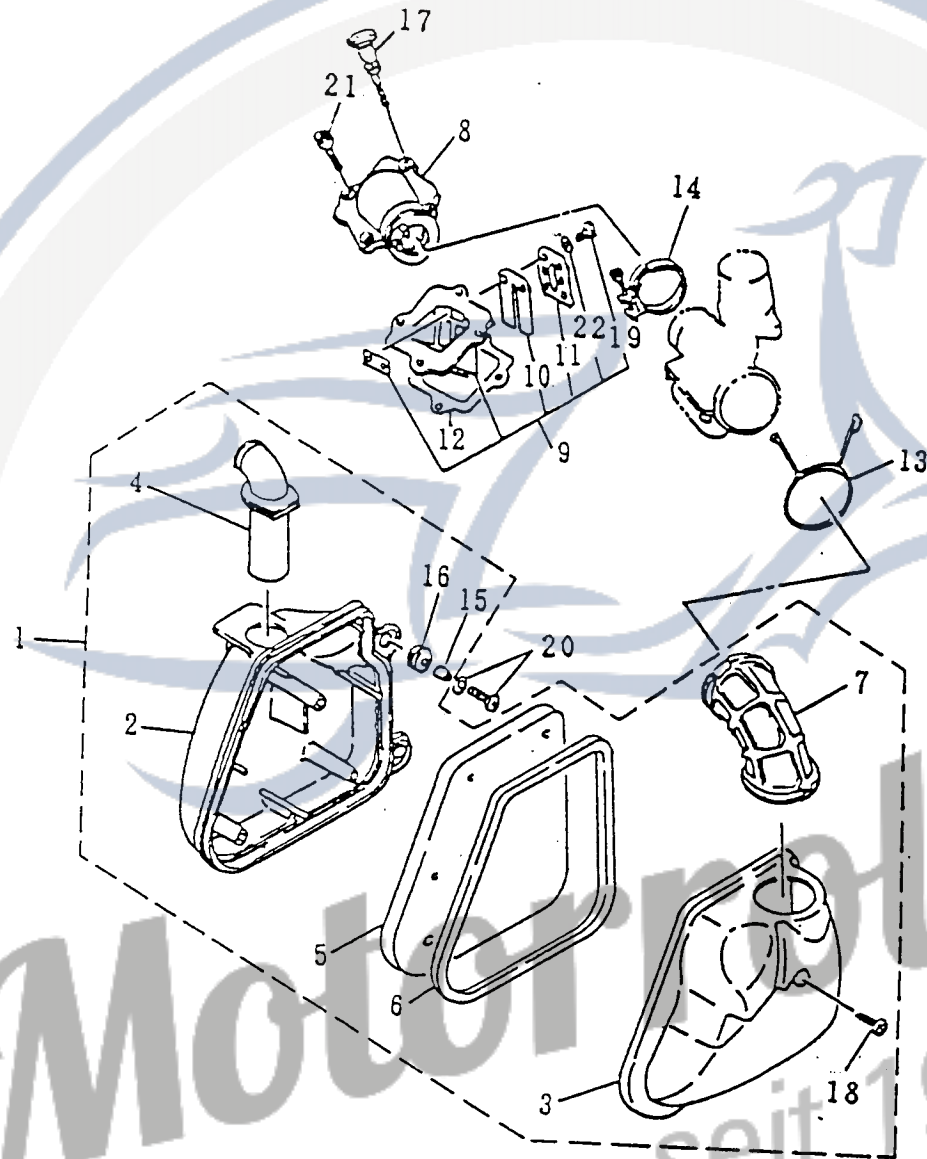


Motorroller.de  
- seit 1993 -



## FIG 04 CARBURETOR 化油器

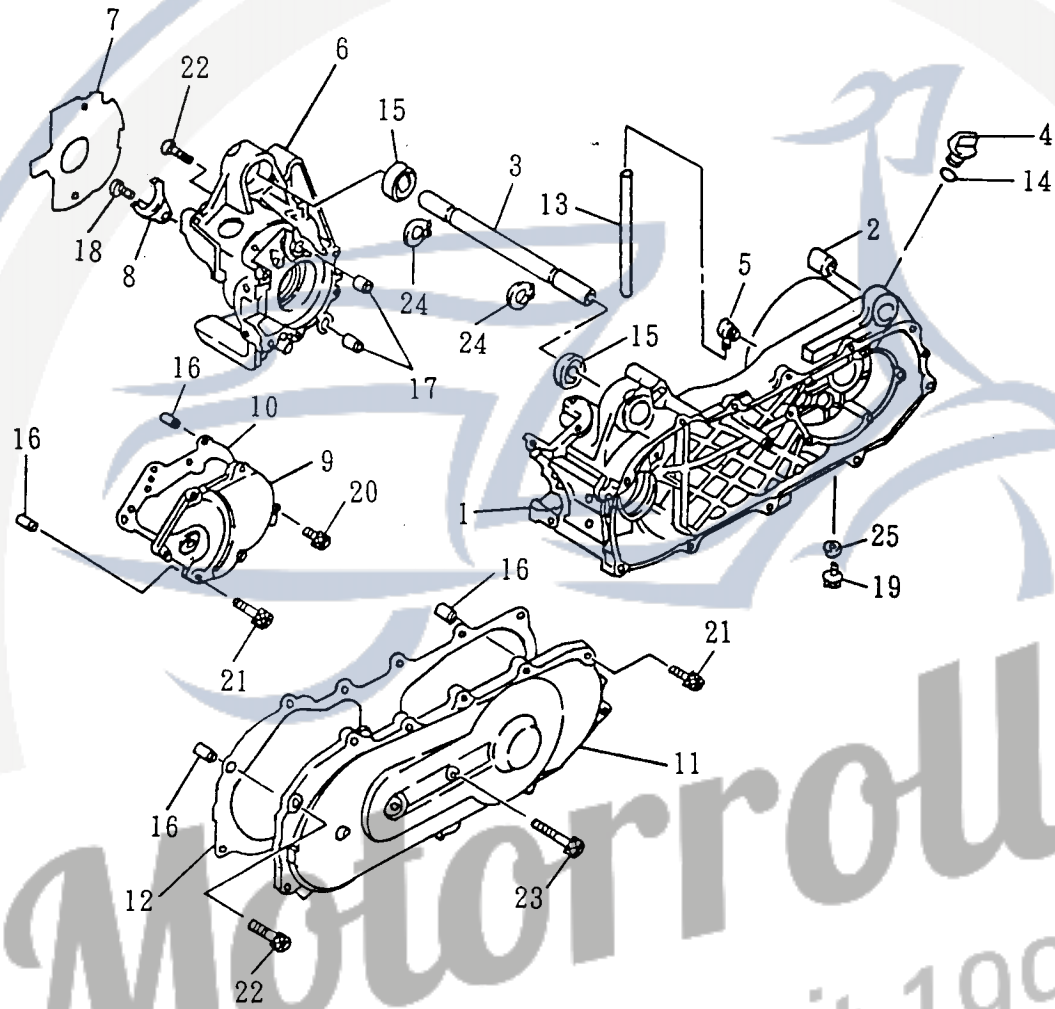
NO.	PARTS NO.	PARTS NAME		Q'TY	PRICE	REMARK
1	13201-NAF-01	CARBURETOR ASSEMBLY	化油器總成	1		
2	13203-NAF-00	.THROTTLE SCREW SET	節流調整螺絲組	1		
3	13204-NAF-00	.AIR SCREW SET	空氣螺絲組	1		
4	13207-NAF-00	.NEEDLE VALVE SET	油門座油針組	1		
5	13211-NAF-00	.NEEDLE SET	油針組	1		
6	13212-NAF-00	.VALVE,throttle	節流閥	1		
7	13233-NAF-00	.SPRING,throttle stop	節流閥彈簧	1		
8	13240-NAF-01	.JET,main (#55)	主噴口	1		
9	13241-NAF-00	.NOZZLE,main	主噴嘴	1		
10	13242-NCF-00	.JET,pilot (#20)	引導噴口	1		
11	13247-NAF-00	.O-RING	護油圈	1		
12	13261-NAF-00	.NUT,cable adjusting	螺帽	1		
13	13271-NAF-00	.PLUNGER,starter	起動阻塞總成	1		
14	13286-NAF-00	.PIN,float	浮筒銷	1		
15	13291-NAF-00	.PLUG,drain	排洩口塞	1		
16	13296-NAF-00	.GASKET	墊片	1		
17	13297-NAF-00	.SEAL	封圈	1		
18	13298-NAF-00	.PIPE	管	1		
19	96310-03006-C	.SCREW,pan head	十字孔頭螺絲	1		
20	96310-04012-C	.SCREW,pan head	十字孔頭螺絲	4		
21	96312-04008-C	.SCREW,pan head with washer	十字孔頭螺絲附墊圈	2		
22	96312-04012-C	.SCREW,pan head with washer	十字孔頭螺絲附墊圈	2		



Motorroller.de  
- seit 1993 -

## FIG 05 INTAKE 空氣吸入口

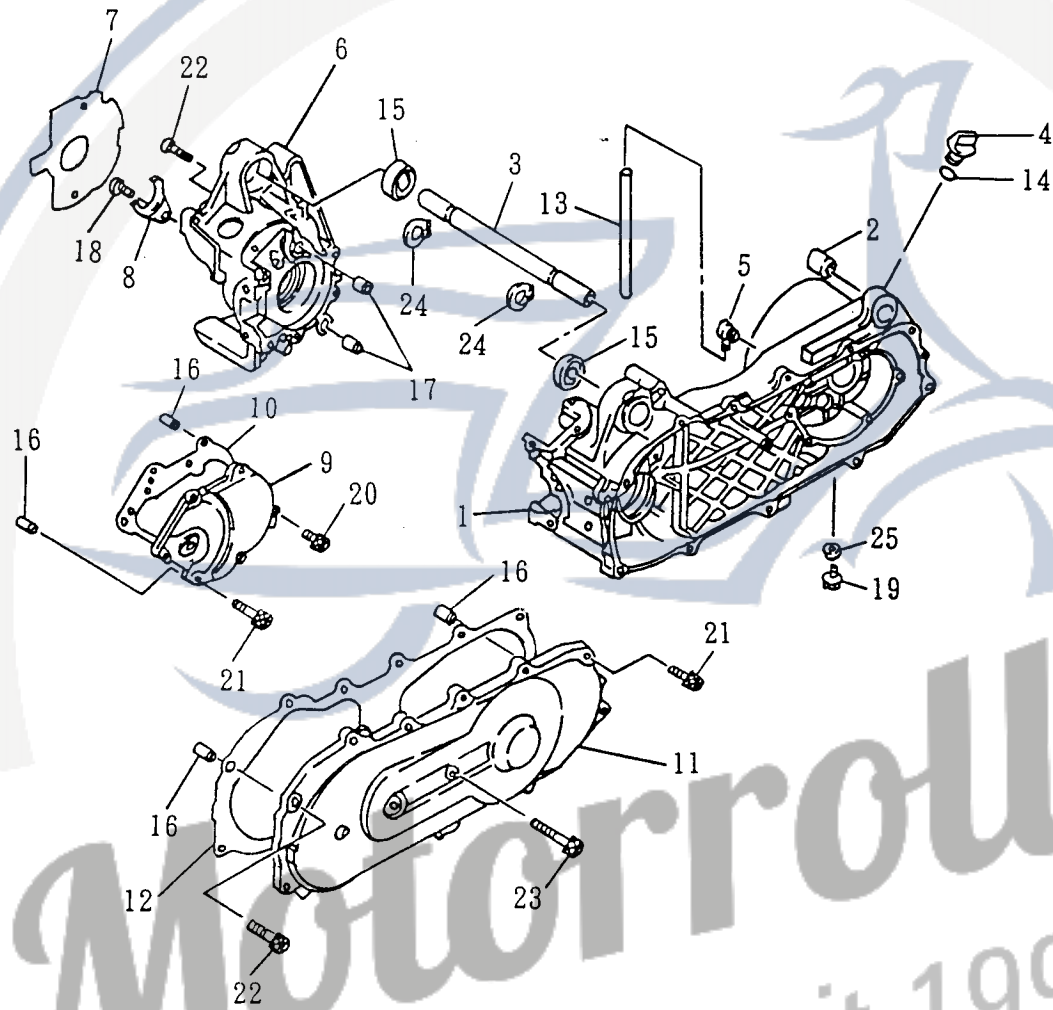
NO.	PARTS NO.	PARTS NAME		Q'TY	PRICE	REMARK
1	13410-NCF-00	AIR CLEANER ASSEMBLY	空氣濾清器總成	1		
2	13411-NAF-01	CASE,air cleaner	空氣濾清器箱	1		
3	13412-NAF-00	CAP,cleanser case	空氣濾清器箱蓋	1		
4	13437-NCF-00	DUCT	防塵管	1		
5	13451-NAF-00	ELEMENT,air cleaner	空氣濾清網	1		
6	13452-NAF-00	SEAL	濾清箱封圈	1		
7	13453-NAF-00	JOINT,air cleaner	濾清箱接頭	1		
8	13555-NAF-00	MANIFOLD,intake	進氣歧管	1		
9	13610-NAF-00	REED VALVE ASSEMBLY	簧片閥總成	1		
10	13613-NAF-00	.REED, valve	簧片閥	2		
11	13616-NAF-00	.STOPPER,reed valve	簧片閥停止器	2		
12	13621-NAF-00	GASKET, valve seat	閥座墊片	1		
13	90210-20043	CLIP	管夾	1		
14	90260-13325	CLANP,hose	軟管夾	1		
15	93560-68510	COLLAR	軸環	2		
16	93580-81610	GROMMET	套環	2		
17	94710-06020-K	BOLT	可斷頭螺栓	1		
18	96110-52512-K	SCREW,tapping	自攻螺絲	3		
19	96310-03008-B	.SCREW,pan head	十字孔頭螺絲	4		
20	96312-06020-K	SCREW,pan head with washer	十字孔頭螺絲附墊圈	2		
21	96510-06020-K	BOLT,socket	六角承窩螺栓	3		
22	97301-030507-B	.WASHER,spring	彈簧墊圈	4		



Motorroller.de  
- seit 1993 -

## FIG 06 CRANKCASE 曲軸箱

NO.	PARTS NO.	PARTS NAME	Q'TY	PRICE	REMARK
1	15111-NAF-00	CRANKCASE,left	1		左曲軸箱
2	15116-NAF-00	BUSH,rear shock absorber	1		後緩衝器襯套
3	15117-PAF-00	SPACER,engine mount	1		曲軸箱固定軸
4	15163-NAF-00	PLUG,oil	1		油標塞
5	15171-NAF-00	BREATHER	1		通風管接頭
6	15211-NAF-00	CRANKCASE,right	1		右曲軸箱
7	15221-NAF-00	GASKET,stator	1		電盤墊片
8	15228-NAF-00	HOLDER	1		油封固定座
9	15311-NAF-00	COVER,gearbox	1		變速箱蓋
10	15351-NAF-00	GASKET,gearbox cover	1		變速箱蓋墊片
11	15411-NAF-00	COVER,crankcase	1		機箱蓋
12	15481-NAF-00	GASKET,crankcase cover	1		機箱蓋墊片
13	90311-50070	HOSE,breather	1		透明管
14	93210-24140	O-RING	1		護油圈
15	93320-173510U	BEARING,radial ball	2		滾珠軸承
16	94410-10014	PIN,dowel	4		定位銷
17	94410-12016	PIN,dowel	2		定位銷
18	96310-06012-C	SCREW,pan head	1		十字孔頭螺絲
19	96414-08016-C	BOLT,flange	1		凸緣螺栓
20	96510-06020-K	BOLT,socket	4		六角承窩螺栓
21	96510-06030-K	BOLT,socket	11		六角承窩螺栓
22	96510-06035-K	BOLT,socket	8		六角承窩螺栓



Motorroller.de  
- seit 1993 -



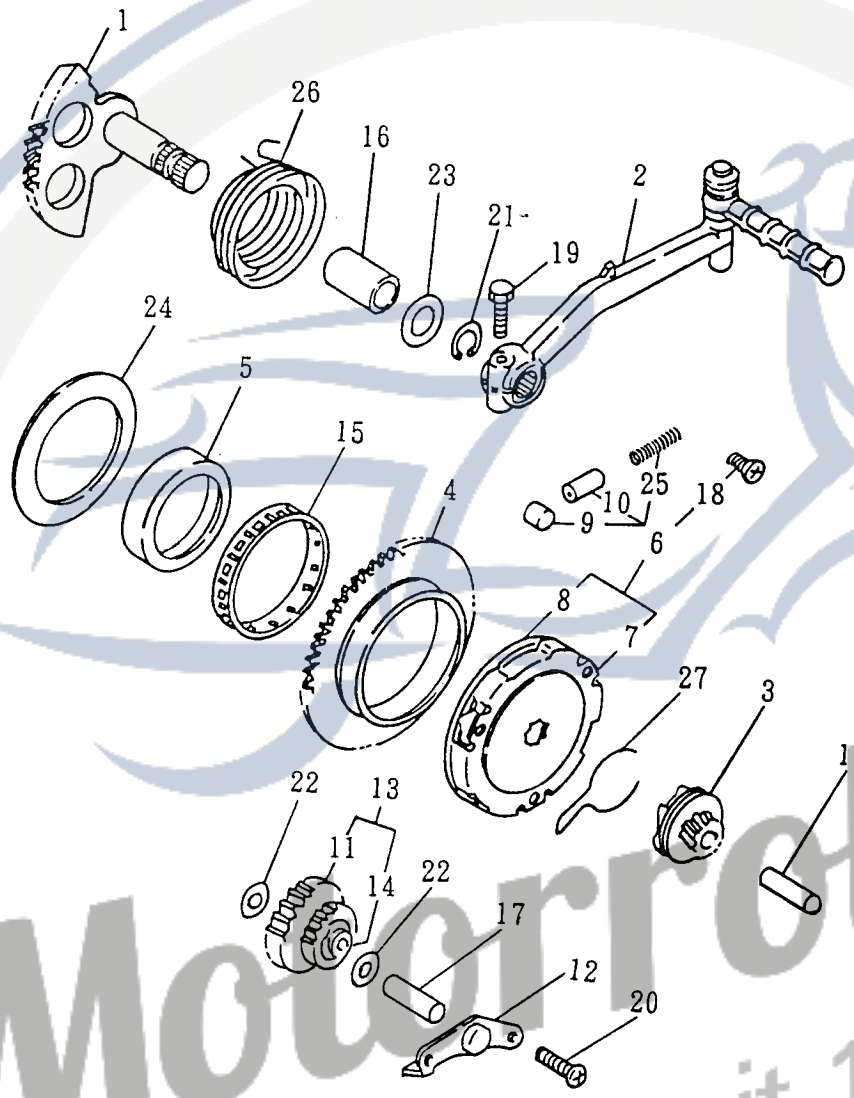
**FIG 06 CRANKCASE 曲軸箱**

NO.	PARTS NO.	PARTS NAME		Q'TY	PRICE	REMARK
23	96510-06045-K	BOLT,socket	六角承窩螺栓	1		
24	97010-17010	CIRCLIP	C形扣環	2		
25	97230-081512	WASHER,copper	銅墊圈	1		



**Motorroller.de**  
- seit 1993 -

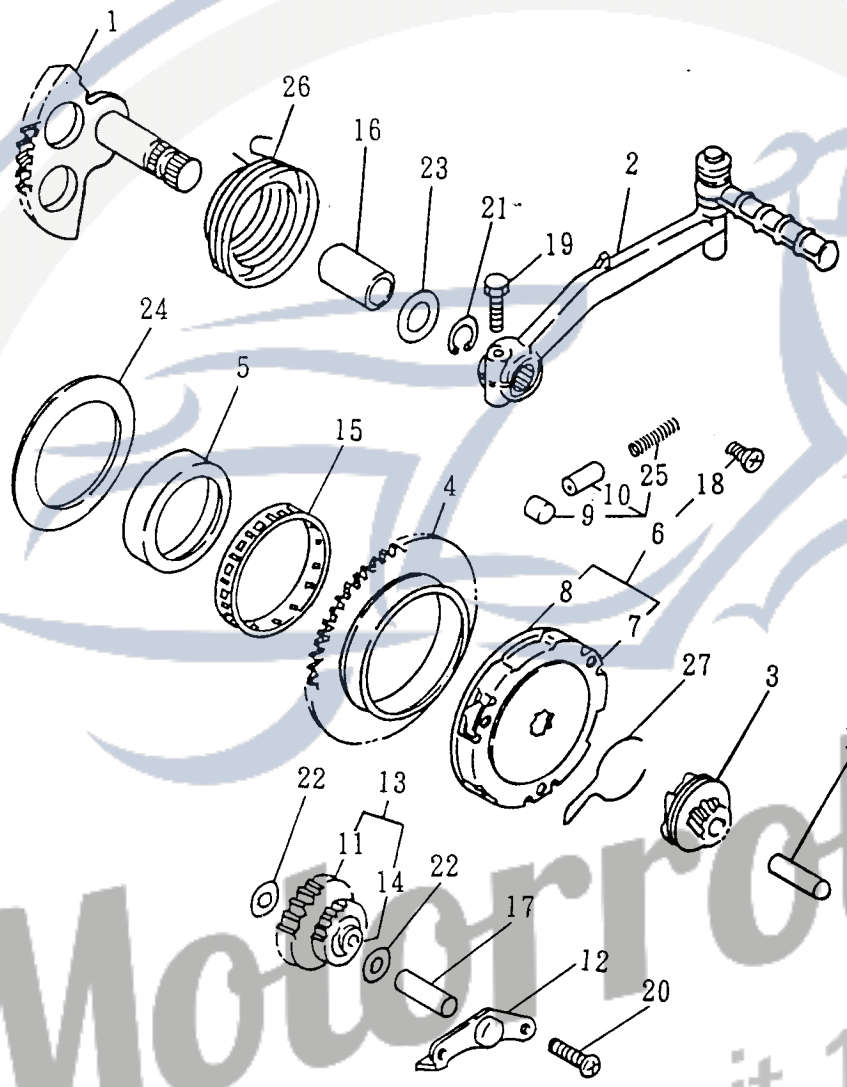




Mowerroller.de  
- seit 1993 -

## FIG 07 STARTER 起動機構

NO.	PARTS NO.	PARTS NAME		Q'TY	PRICE	REMARK
1	22601-NAF-00	KICK SHAFT ASSEMBLY	腳踩軸總成	1		
2	22620-NAF-00	KICK CRANK ASSEMBLY	腳踩柄總成	1		
3	22630-NAF-00	KICK PINION ASSEMBLY	腳踩小齒輪總成	1		
4	23524-NAF-00	WHEEL,starter	起動輪	1		
5	23538-NAF-00	BOSS,gear	齒輪轂	1		
6	23570-NAF-00	STARTER CLUTCH ASSEMBLY	起動離合器總成	1		
7	23572-NAF-00	STARTER CLUTCH,fixed	起動離合器固定片	1		
8	23574-NAF-00	STARTER CLUTCH,stand	起動離合器塑膠座	1		
9	23576-NAF-01	STARTER CLUTCH,roller	起動離合器滾珠	3		
10	23578-NAF-00	STARTER CLUTCH,scover	起動離合器彈簧套	3		
11	23612-NAF-00	IDLE GEAR	惰齒輪	1		
12	23632-NAF-00	PLATE,idle gear	惰齒輪板	1		
13	23650-NAF-00	IDLE GEAR ASSEMBLY	惰齒輪總成	1		
14	93310-0812100	BEARING,needle roller	滾針軸承	1		
15	93310-5559127	BEARING,needle roller	滾針軸承	1		
16	93510-152030	BUSHING,kick shaft	腳踩軸襯套	1		
17	94510-80032	SHAFT,gear	齒輪軸	2		
18	96104-51016-C	SCREW,tapping	自攻螺絲	3		
19	96210-06025-K	BOLT,hexagon	六角螺栓	1		
20	96310-06012-C	SCREW,pan head	十字孔頭螺絲	2		
21	97010-15010	CIRCLIP	C形扣環	1		
22	97201-081620-C	WASHER,plate	平面墊圈	2		

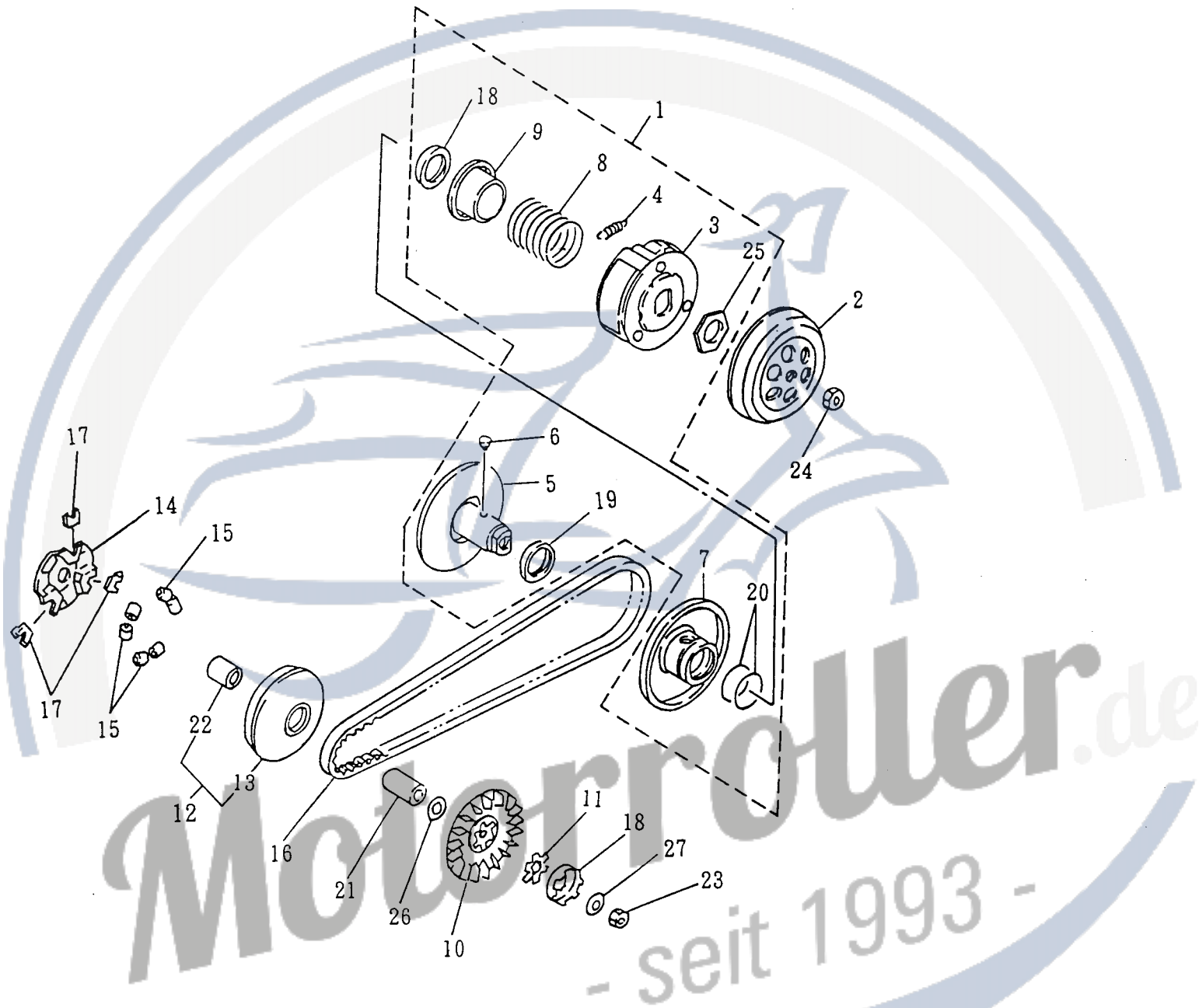


Mowerroller.de  
- seit 1993 -

**FIG 07 STARTER 起動機構**

NO.	PARTS NO.	PARTS NAME		Q'TY	PRICE	REMARK
23	97201-152810-K	WASHER,plate	平面墊圈	1		
24	97201-557606	WASHER,plate	起動輪襯片	1		
25	97501-02021	STARTER CLCTCH,spring	起動離合器彈簧	3		
26	97508-32535	SPRING,torsion	腳踩軸扭轉彈簧	1		
27	97510-26300	CLIP,spring	彈簧夾	1		

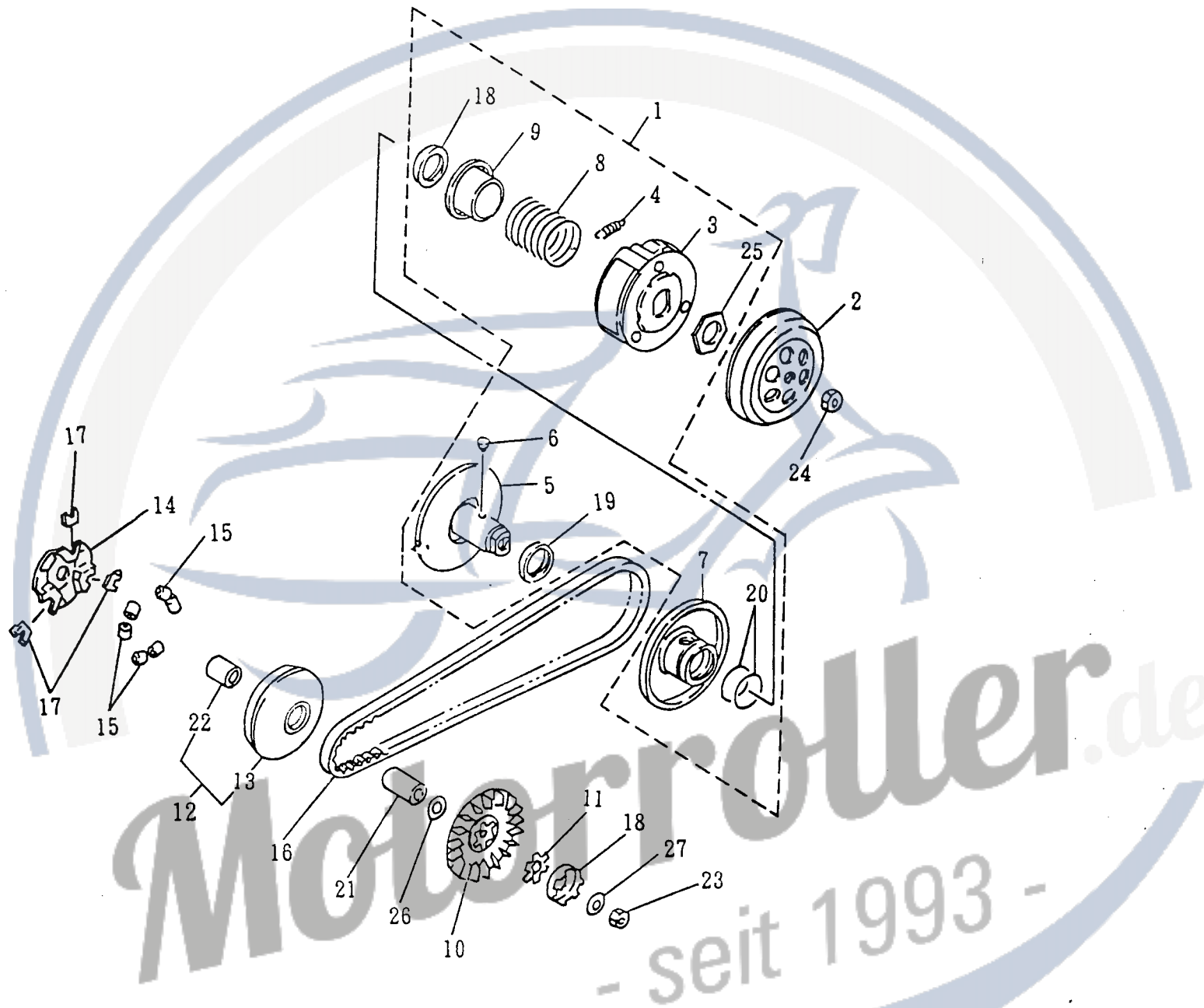
**Motorroller.de**  
- seit 1993 -



## FIG 08 CLUTCH 離合器

NO.	PARTS NO.	PARTS NAME		QTY	PRICE	REMARK
1	25602-NAF-00	SECONDARY SHEAVE ASSEMBLY	副槽輪總成	1		
2	25611-NAF-00	CLUTCH HOUSING COMP	離合器殼整體	1		
3	25620-NAF-00	CLUTCH CARRIER ASSEMBLY	離合器牽轉具總成	1		
4	25626-NAF-00	.SPRING,clutch weight	離合器重量彈簧	3		
5	25660-NAF-00	.SECONDARY FIXED SHEAVE COMP	副固定槽輪	1		
6	25664-NAF-00	.PIN,guide	導銷	2		
7	25670-NAF-00	.SECONDARY SLIDING SHEAVE	副滑動槽輪	1		
8	25680-NAF-00	.SPRING,compression	壓縮彈簧	1		
9	25684-NAF-00	.SEAT,secondary spring	副彈簧座	1		
10	25711-NAF-00	SHEAVE,primary fixed	主固定槽輪	1		
11	25716-NAF-00	WASHER,claw	鉗墊圈	1		
12	25720-NAF-00	PRIMARY SLIDING SHEAVE COMP	主滑動槽輪整體			
13	25721-NAF-00	PRIMARY SLIDING SHEAVE	主滑動槽輪	1		
14	25723-NAF-00	CAM,plate	凸輪板	1		
15	25732-NAF-00	WEIGHT ROLLER	重錘滾子	6		
16	25741-NAF-00	V-BELT	皮帶	1		
17	25753-NAF-00	SLIDER	滑件	3		
18	25757-NAF-00	CLUTCH,oneway	單向離合器	1		
19	93110-33394	.OIL SEAL	油封	2		
20	93210-20360	.O-RING	護油圈	2		
21	93510-131838	BUSHING,sliding clutch	主滑動槽輪襯套	1		
22	93510-182322	BUSHING,sliding sheave	主滑動槽輪銅襯套	1		



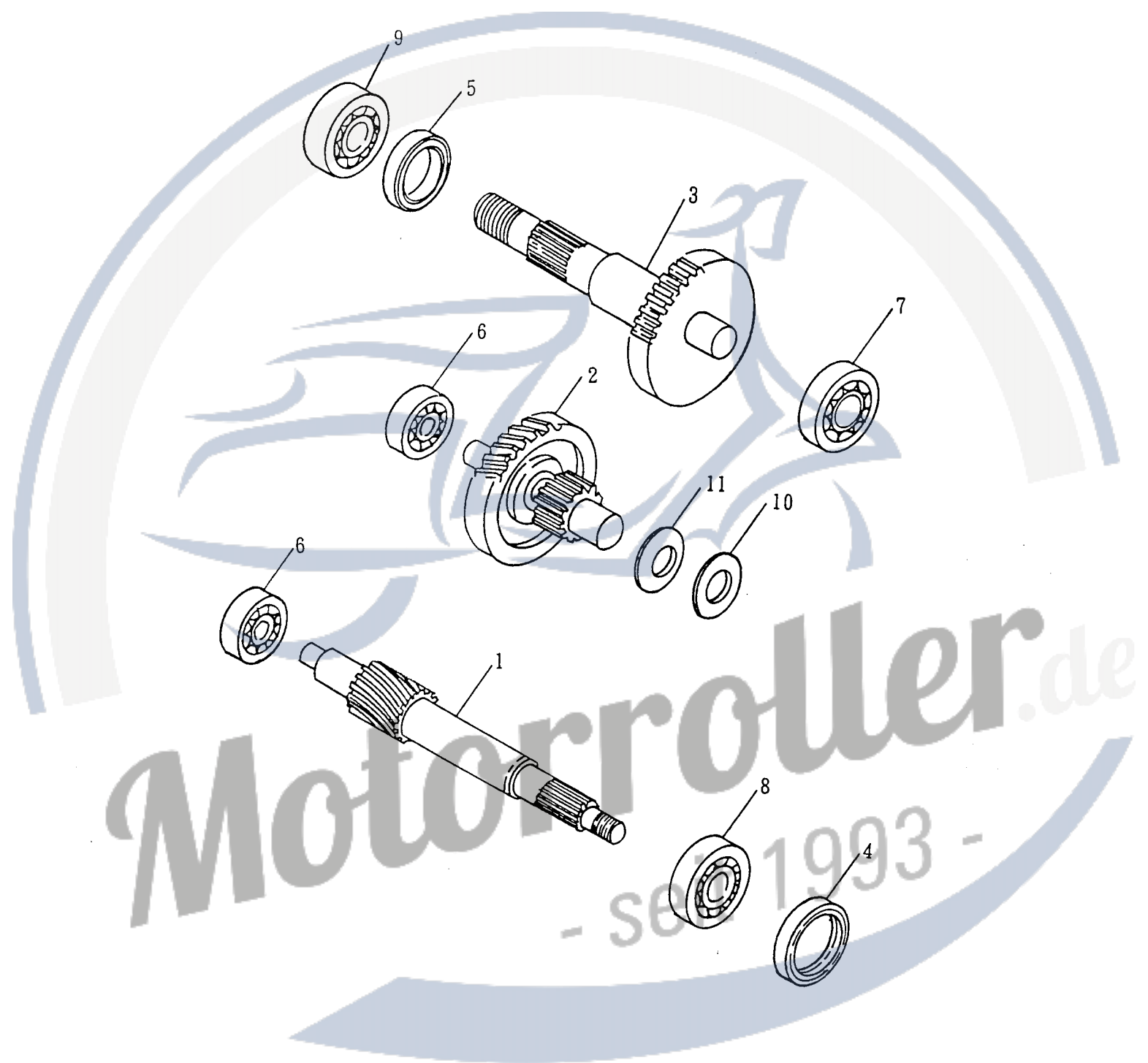




**FIG 08 CLUTCH 離合器**

NO.	PARTS NO.	PARTS NAME	Q'TY	PRICE	REMARK
23	95201-101708-C	NUT,hexagon	六角螺帽	1	
24	95201-102406-C	NUT,hexagon	六角螺帽	1	
25	95201-284004-C	.NUT,hexagon	六角螺帽	1	
26	97201-131810	WASHER,plate	平面墊圈	1	
27	97310-102425	WASHER,conical spring	錐形彈簧墊圈	1	

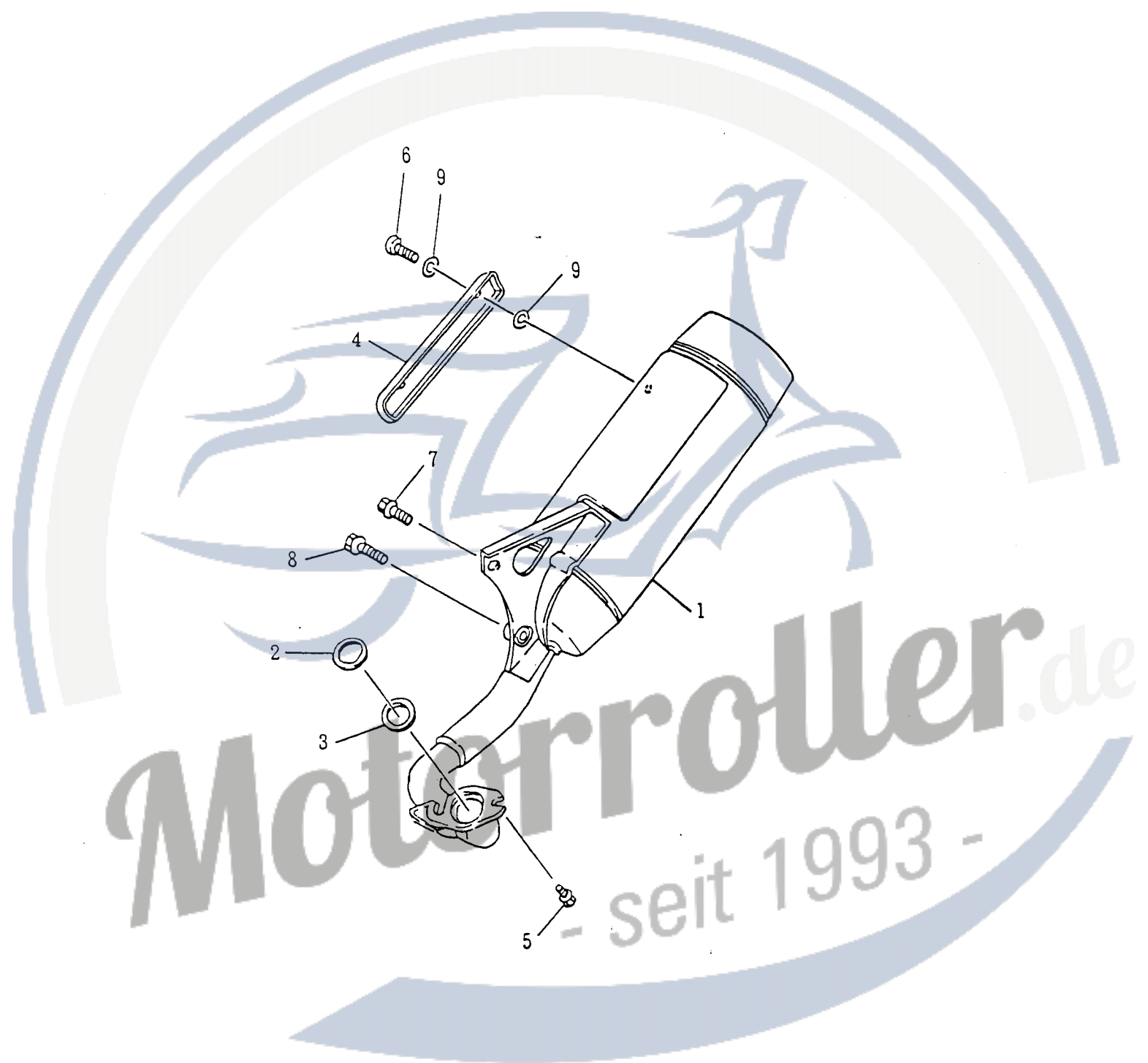
**Motorroller.de**  
- seit 1993 -



**FIG 09 TRANSMISSION 傳動機構**

NO.	PARTS NO.	PARTS NAME		Q'TY	PRICE	REMARK
1	26111-NAF-00	GEAR,primary drive	主驅動軸	1		
2	26410-NDF-00	MAIN AXLE COMP	惰輪軸總成	1		
3	26420-NDF-00	DRIVE AXLE ASSEMBLY	傳動軸總成	1		
4	93110-17285	OIL SEAL	油封	1		
5	93110-24407	OIL SEAL	油封	1		
6	93320-103009	BEARING,radial ball	滾珠軸承	2		
7	93320-153511	BEARING,radial ball	滾珠軸承	1		
8	93320-174012	BEARING,radial ball	滾珠軸承	1		
9	93320-174012U	BEARING,radial ball	滾珠軸承	1		
10	97201-142910	WASHER,plate	平面墊圈	1		
11	97310-142803	WASHER,conical spring	錐形彈簧墊圈	1		

**Motorroller.de**  
- seit 1993 -

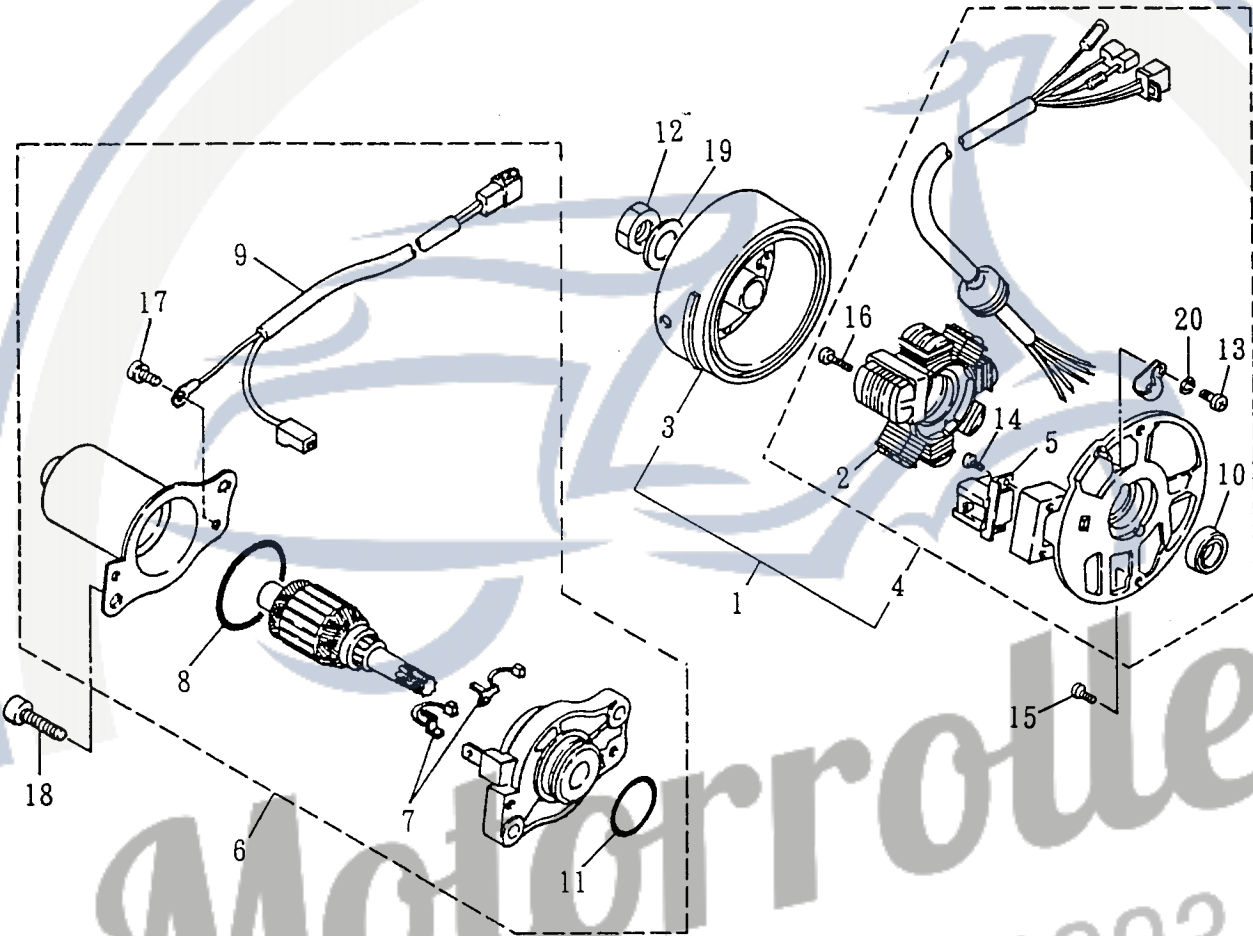


**Motorroller.de**  
- seit 1993 -

## FIG 10 EXHAUST 排氣管

NO.	PARTS NO.	PARTS NAME		Q'TY	PRICE	REMARK
1	31610-NAF-00	EXHAUST PIPE ASSEMBLY	排氣管總成	1		
2	31613-NAF-00	GASKET,exhaust pipe (25.4*34*4)	排氣管墊片	1		
3	31615-NAF-01	.PIPE, reduction ( 12)	減速管			
4	31618-NAF-00	.PROTECTOR,muffler	消音筒護罩	1		
5	94714-06018-C	SCREW,flange	十字孔凸緣螺絲	2		
6	96316-06010-B	.SCREW,pan head	十字孔頭螺絲	2		
7	96414-08020-K	BOLT,flange	凸緣螺栓	1		
8	96414-08030-K	BOLT,flange	凸緣螺栓	1		
9	97210-061215	.WASHER,plate	石棉墊圈	4		

Motorroller.de  
- seit 1993 -

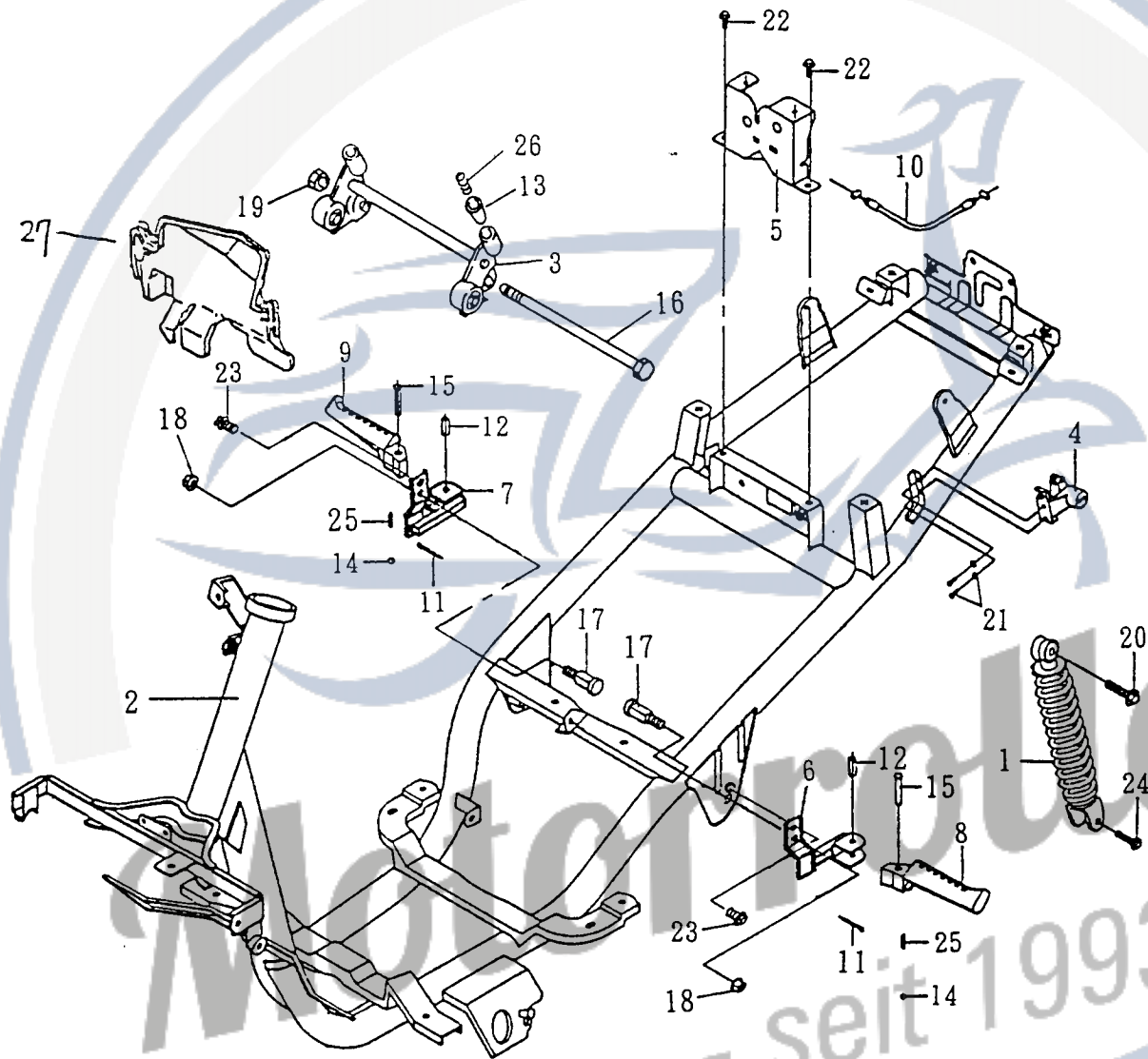


Motorroller.de  
- seit 1993 -

# FIG 11 GENERATOR.STARTING MOTOR 發電機.起動馬達

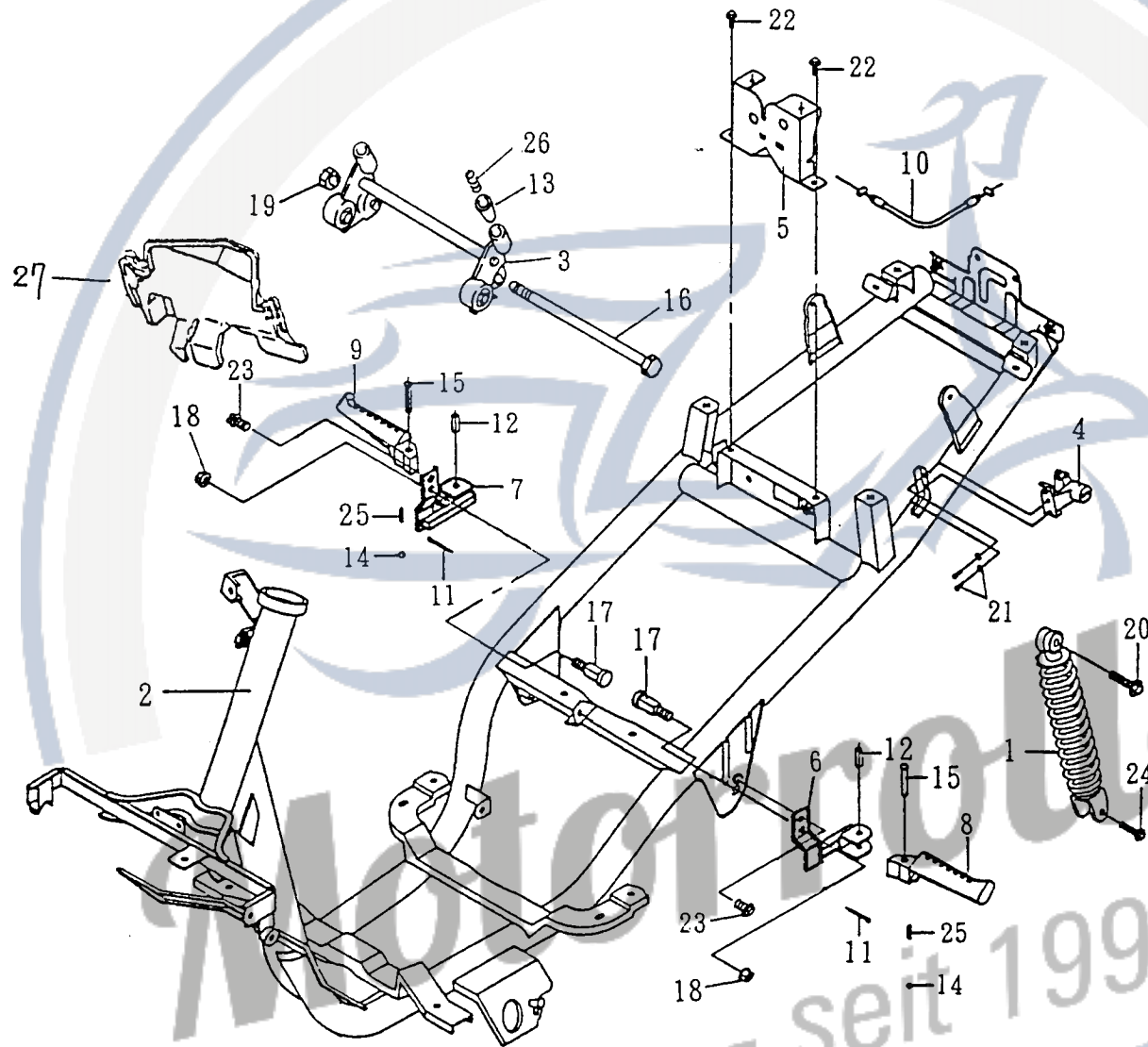
NO.	PARTS NO.	PARTS NAME		Q'TY	PRICE	REMARK
1	35500-NAF-00	GENERATOR ASSEMBLY	發電機總成	1		
2	35503-NAF-00	.STATOR COMP	電樞總成	1		
3	35550-NAF-00	.ROTOR ASSEMBLY	轉子總成	1		
4	35560-NAF-00	.BASE ASSEMBLY	發電機座總成	1		
5	35580-NAF-00	.COIL,pulser	脈動線圈	1		
6	35800-NAF-00	STARTING MOTOR ASSEMBLY	起動馬達總成	1		
7	35801-NAF-00	.BRUSH SET	電刷組	1		
8	35811-NAF-00	.GASKET,yoke	墊片	1		
9	35831-NAF-00	.CORD COMP	線圈總成	1		
10	93110-19265	.OIL SEAL	油封	1		
11	93210-19230	.O-RING	護油圈	1		
12	95201-101408-C	NUT,hexagon	六角螺帽	1		
13	96310-04006-C	.SCREW,pan head	十字孔頭螺絲	1		
14	96310-06010-C	.SCREW,pan head	十字孔頭螺絲	2		
15	96310-06016-C	SCREW,pan head	十字孔頭螺絲	2		
16	96310-06025-C	.SCREW,pan head	十字孔頭螺絲	2		
17	96312-04012-C	.SCREW,pan head with washer	十字孔頭螺絲附墊圈	2		
18	96510-06020-K	BOLT,socket	六角承窩螺栓	2		
19	97201-101726-C	WASHER,plate	平面墊圈	1		
20	97301-040710-C	.WASHER,spring	彈簧墊圈	1		





**FIG 12 FRAME 車架**

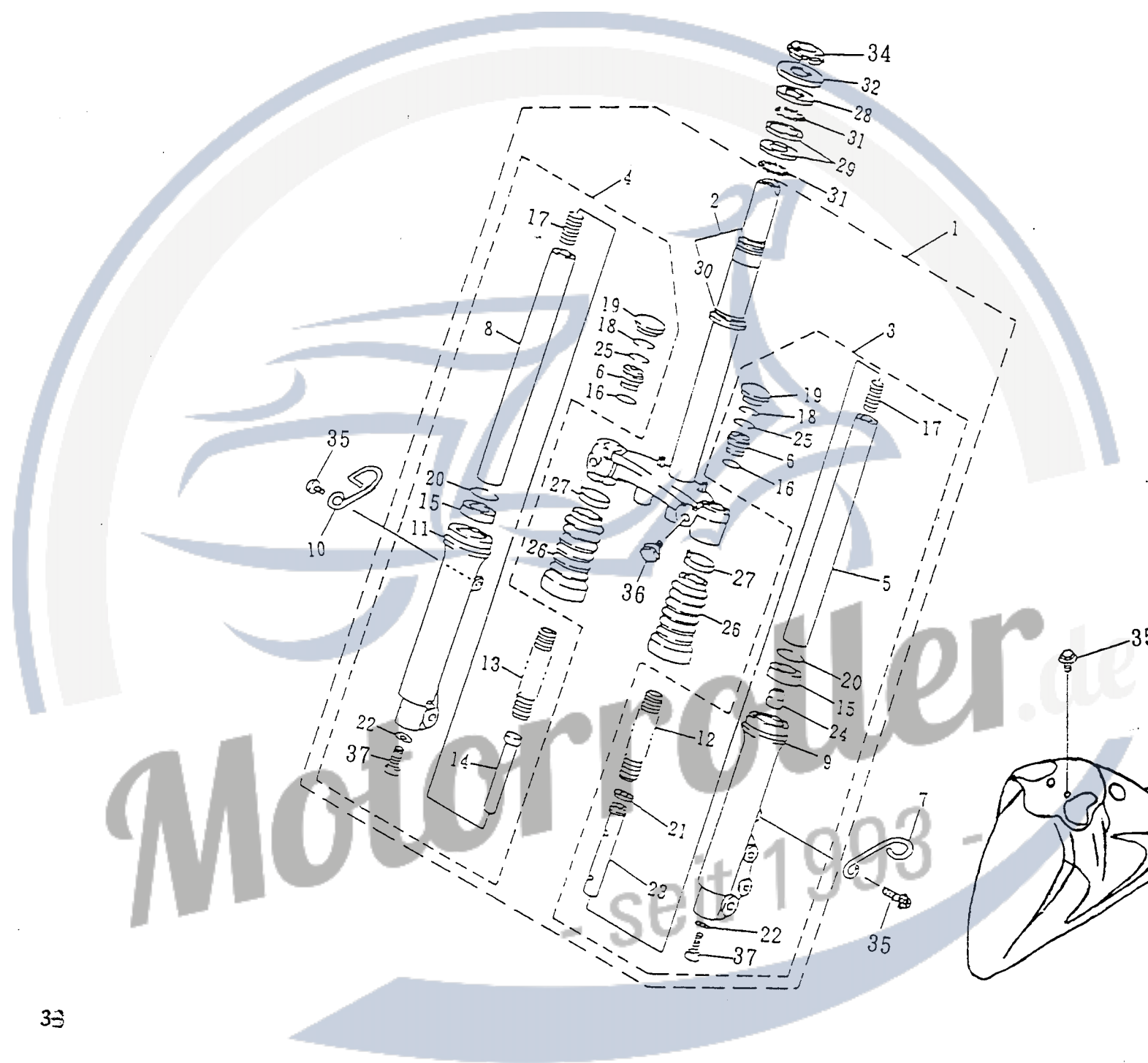
NO.	PARTS NO.	PARTS NAME	Q'TY	PRICE	REMARK
1	32210-PAF-00	SHOCK ABSORBER ASSEMBLY, rear	1		後緩衝器
2	41110-PAF-00	FRAME COMP	1		車架整體
3	41410-PAF-00	ENGINE BRACKET COMP	1		引擎吊架整體
4	52705-PAF-00	.SEAT LOCK ASSEMBLY	1		座墊鎖總成
5	52710-PAF-00	SEATLOCK COMP	1		座墊鎖座組合
6	53412-PAF-00	BRACKET, footrest L	1		置腳架支架左
7	53422-PAF-00	BRACKET, footrest R	1		置腳架支架右
8	53431-PAF-00	FOOTREST, rear L	1		左後置腳架
9	53441-PAF-00	FOOTREST, rear R	1		右後置腳架
10	61220-PAF-00	SEAT LOCK LEVER CABLE	1		座墊鎖鋼鎖
11	90240-18012	COTTER PIN	2		開口銷
12	93510-060820	COLLAR	2		軸環
13	93580-41836	DAMPER	2		吊架防震套
14	94520-0635S	BALL	2		鋼珠
15	94610-06032-B	PIN, clevis	2		置腳架固定軸
16	94610-12280-C	BOLT, hexagon	1		吊架固定軸
17	94710-10040-C	BOLT, engine mounting	2		引擎裝置四角螺栓
18	95311-101710-C	NUT, nylon	2		尼龍螺帽
19	95311-121912-C	NUT, nylon	1		尼龍螺帽
20	96210-10040-C	BOLT, hexagon	1		六角螺栓
21	96218-05012-C	BOLT, hexagon with washer	2		六角螺栓附墊圈
22	96414-06012-C	BOLT, flange	2		凸緣螺栓



**FIG 12 FRAME 車架**

NO.	PARTS NO.	PARTS NAME		Q'TY	PRICE	REMARK
23	96414-08012-C	BOLT,flange	凸緣螺栓	2		
24	96414-08032-C	BOLT,flange	凸緣螺栓	1		
25	97501-12051	SPRING,compression	壓縮彈簧	2		
26	97501-30114	SPRING,compression	吊架壓縮彈簧	2		

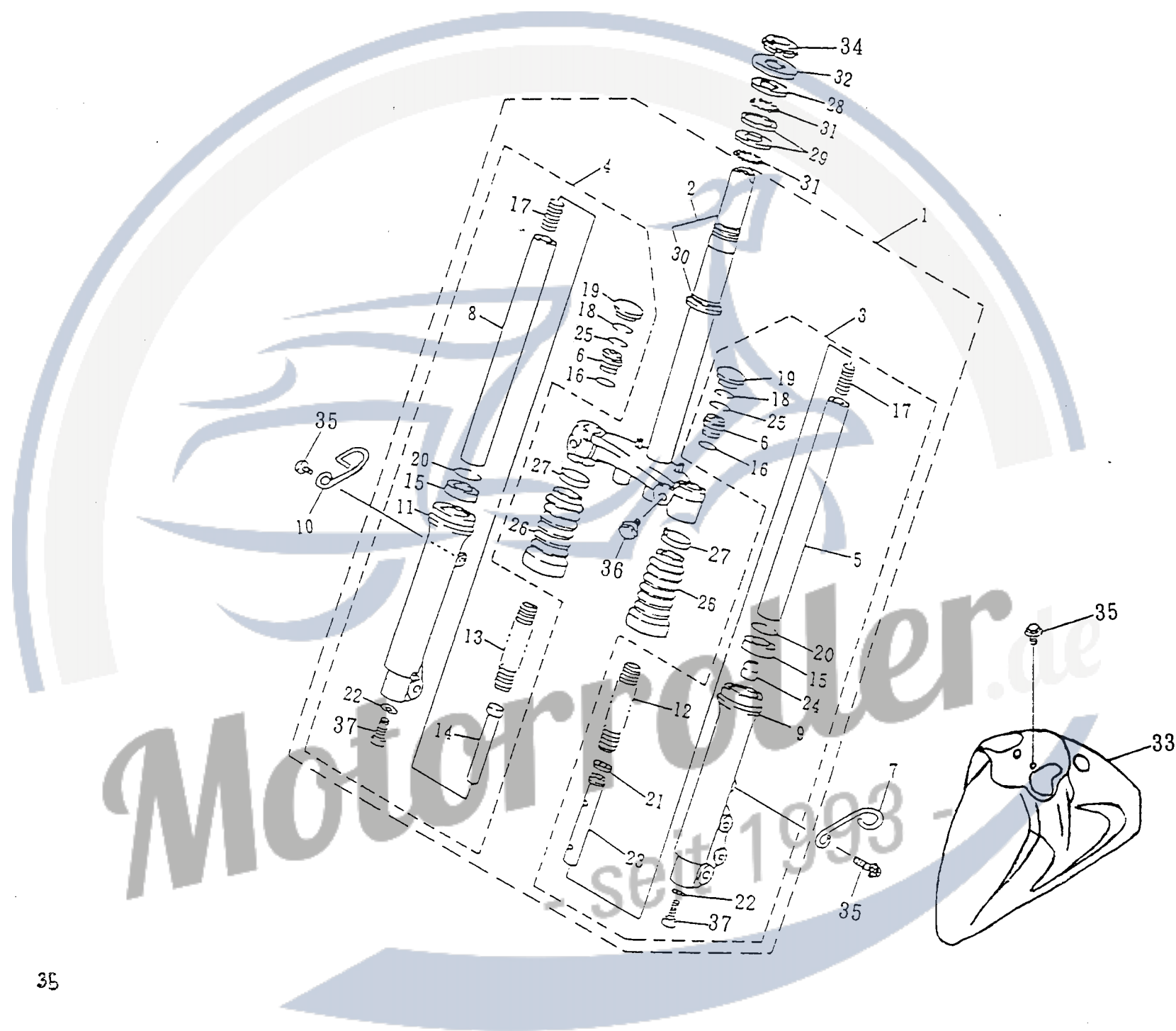
**Motorroller.de**  
- seit 1993 -



### FIG 13 FRONT FORK 前叉

NO.	PARTS NO.	PARTS NAME		Q'TY	PRICE	REMARK
1	42100-NDF-00	FRONT FORK ASSEMBLY	前叉總成	1		
2	42101-NDF-00	.UNDER BRACKET COMP	下三角架	1		
3	42102-NAF-00	.FRONT FORK ASSEMBLY L	右前叉內外管組	1		
4	42103-NAF-00	.FRONT FORK ASSEMBLY R	右左前叉內外管組	1		
5	42110-NAF-00	.INNER TUBE COMP 1	前叉內管 1	1		
6	42111-NAF-00	.BOLT,cap	頂蓋螺栓	2		
7	42119-NAF-00	HOLDER,brake hose	剎車管座	1		
8	42120-NAF-00	.INNER TUBE COMP 2	前叉內管 2	1		
9	42126-NAF-00	.TUBE,outer L	左外管	1		
10	42129-NAF-00	HOLDER,cable	鋼索座	1		
11	42136-NAF-00	.TUBE,outer R	右外管	1		
12	42141-NAF-00	.SPRING,front fork	前叉彈簧	1		
13	42142-NAF-00	.SPRING	彈簧	1		
14	42143-NAF-00	.SEAT, spring lower	下彈簧座	1		
15	42145-NAF-00	.OIL SEAL	油封	2		
16	42147-NAF-00	.O-RING	護油圈	2		
17	42151-NAF-00	.SPRING,rebound	彈簧	2		
18	42153-NAF-00	.RING, snap	環	2		
19	42154-NAF-00	.PLUG, inner tube	內管塞	2		
20	42156-NAF-00	.CLIP,oil seal	油封止夾	2		
21	42157-NAF-00	.RING,piston	前叉活塞環	1		
22	42158-NAF-00	.GASKET	墊片	2		

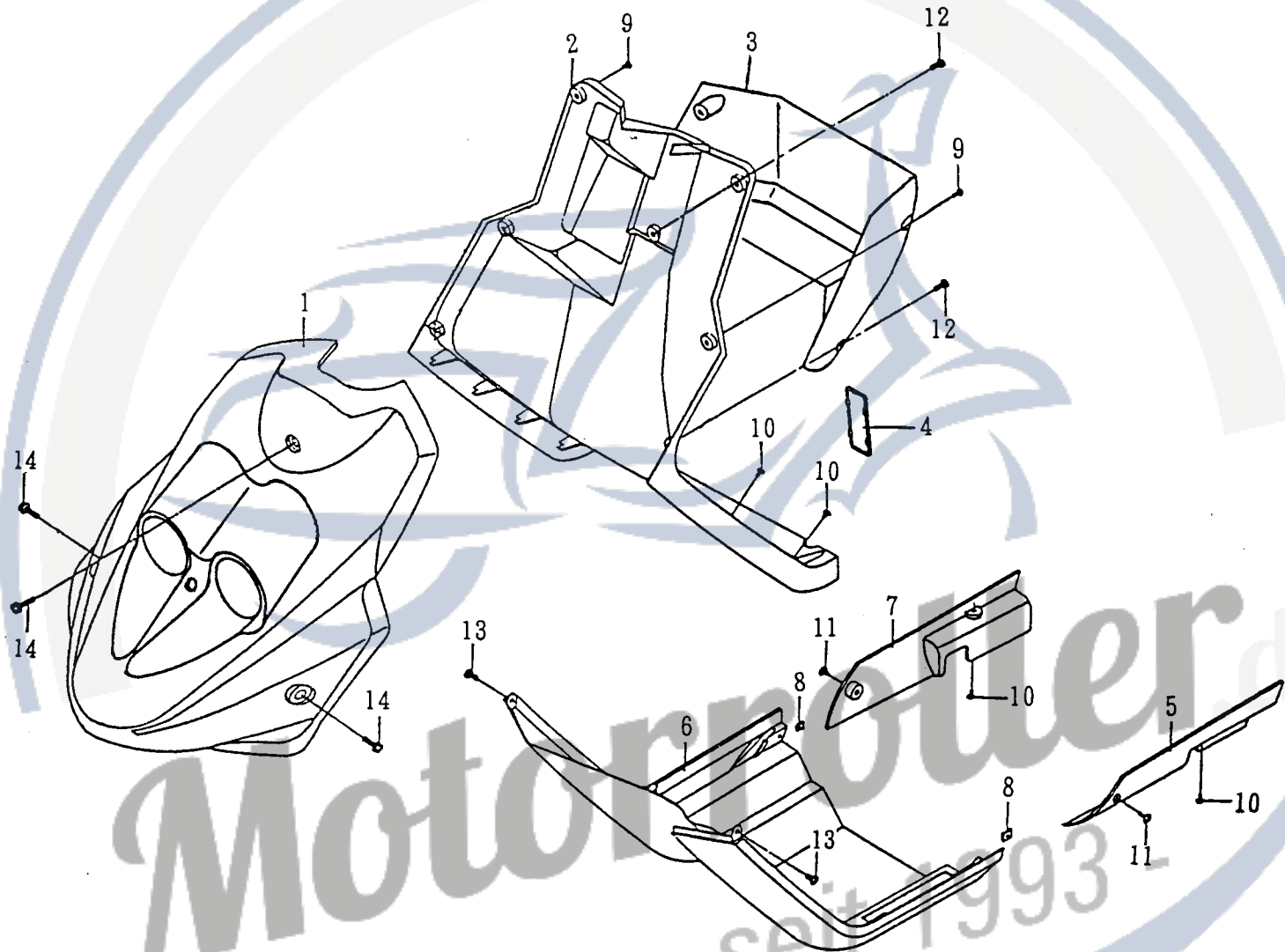






### FIG 13 FRONT FORK 前叉

NO.	PARTS NO.	PARTS NAME		Q'TY	PRICE	REMARK
23	42171-NAF-00	.PISTON, front fork	前叉接筒整體	1		
24	42173-NAF-00	.SPINDLE, taper	錐形心軸	1		
25	42183-NAF-00	.CIRCLIP	夾環	2		
26	42191-PAF-00	.BOOT	保護罩	2		
27	42192-NAF-00	.BAND	保護罩帶	2		
28	46411-NAF-00	RACE,ball 1	珠碗 1	1		
29	46412-NAF-00	RACE,ball 2	珠碗 2	2		
30	46414-NAF-00	.RACE,ball 4	珠碗 4	1		
31	46415-NAF-01	BALL	鋼珠巢	2		
32	46416-NAF-00	COVER,ball race	珠碗蓋	1		
33	51552-PDF-00	FENDER,front	前土除	1		
34	95601-254007-C	NUT, ring	環形螺帽	2		
35	96414-06012-C	BOLT, flange	凸緣螺栓	4		
36	96414-10036-B	.BOLT, flange	凸緣螺栓	2		
37	96510-08025-C	.BOLT, socket	六角承窩螺栓	2		



**FIG 14 FENDER.INNER BOX 擋風板 行李箱**

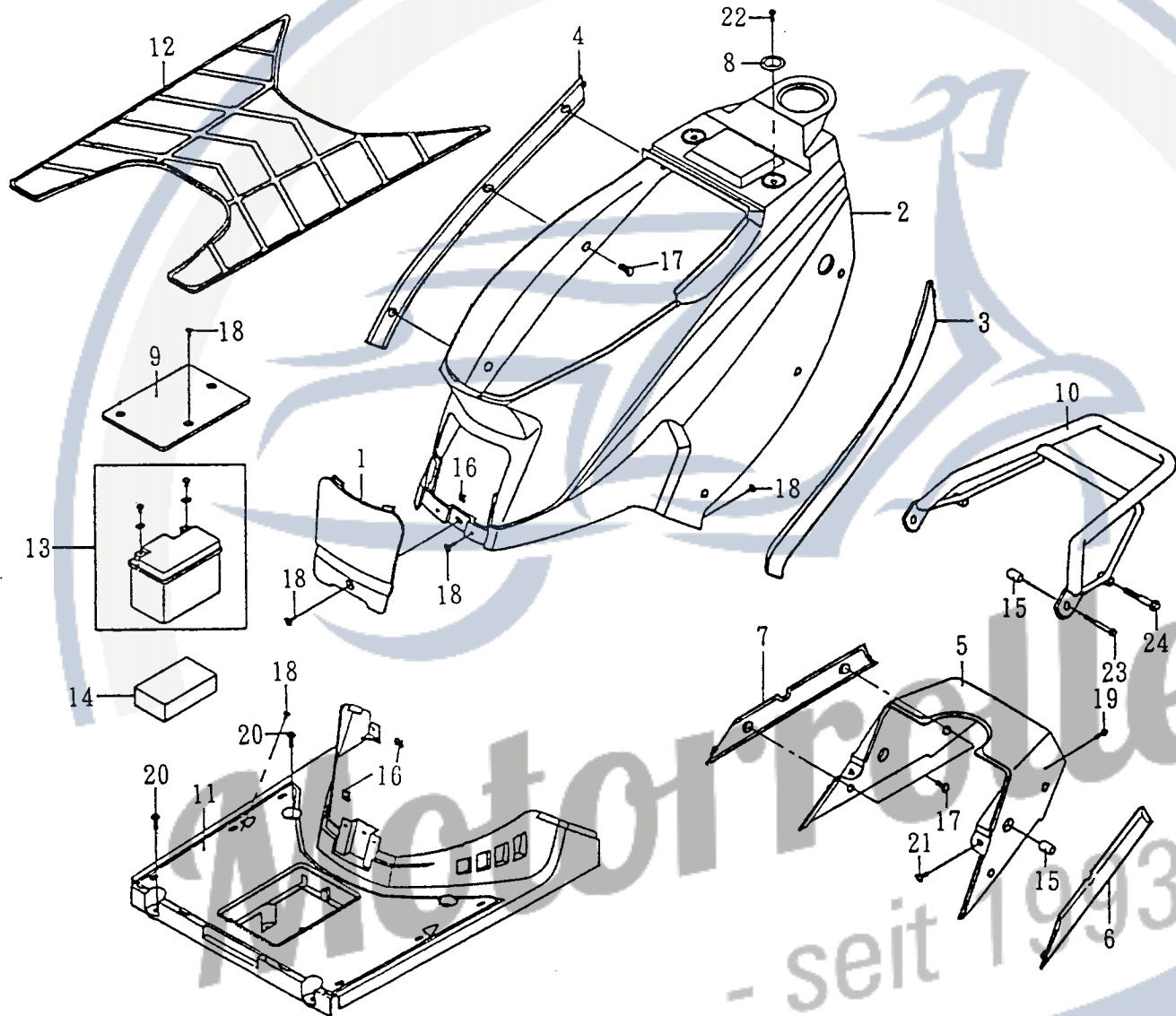
NO.	PARTS NO.	PARTS NAME		Q'TY	PRICE	REMARK
1	51151-PAF-00	FENDER,front	擋風板	1		
2	53311-PAF-00	INNER BOX	行李箱	1		
3	53313-PAF-00	LUGGAGE CASE,front	文件箱	1		
4	53316-PAF-00	ADHESIVE PAPER	車身號碼蓋	1		
5	53382-PAF-00	MOLE,lower cover L	左護蓋	1		
6	53385-PAF-00	COVER,lower	下蓋	1		
7	53392-PAF-00	MOLE,lower cover R	右護蓋	1		
8	95101-05012	NUT,spring	U形板螺帽	2		
9	96112-41618-K	SCREW,tapping	自攻螺絲	4		
10	96112-51216-K	SCREW,tapping	自攻螺絲	6		
11	96112-51616-K	SCREW,tapping	自攻螺絲	2		
12	96310-06016-K	SCREW, pan head	十字孔頭螺絲	3		
13	96312-06016-C	SCREW, pan head with washer	十字孔頭螺絲附墊圈	2		
14	96316-06021-C	SCREW, pan head with washer	十字孔頭螺絲附墊圈	3		

Motorroller.de  
- seit 1993 -



### FIG 15 SIDE COVER.FOOTREST 側蓋.腳踏板

NO.	PARTS NO.	PARTS NAME		Q'TY	PRICE	REMARK
1	51121-PAF-00	MOLE,side cover F	側蓋護片 前	1		
2	51171-PAF-00	COVER,side	側蓋整體	1		
3	51712-PAF-00	MOLE,side cover L	側蓋護片 左	1		
4	51722-PAF-00	MOLE,side cover R	側蓋護片 右	1		
5	51732-PAF-00	COVER,taillight	後燈蓋	1		
6	51742-PAF-00	MOLE,taillight cover L	後燈蓋護片 左	1		
7	51752-PAF-00	MOLE,taillight cover R	後燈蓋護片 右	1		
8	52721-PAF-00	SEAT SUPPORTING BRACKET	座墊支撐座	2		
9	52829-PAF-00	COVER,battery	蓄電池蓋	1		
10	52850-PAF-00	CARRIER,rear	後架	1		
11	53481-PAF-00	BOARD,footrest	腳踏板	1		
12	53483-PAF-00	MAT	踏板墊	1		
13	62100-NAF-00	BATTERY ASSEMBLY	蓄電池總成	1		
14	62111-NAF-00	BATTERY PACKING	蓄電池襯墊	1		
15	93510-081217	COLLAR	軸環	4		
16	95101-05012	NUT,spring	U型板螺帽	5		
17	96110-51016-C	SCREW,tapping	自攻螺絲	10		
18	96112-51216-K	SCREW,tapping	自攻螺絲	10		
19	96218-05016-K	BOLT,hexagon with washer	六角螺栓附墊圈	2		
20	96218-06020-C	BOLT,hexagon with washer	六角螺栓附墊圈	4		
21	96312-06016-C	SCREW,pan head with washer	十字孔頭螺絲附墊圈	2		
22	96411-06010-C	BOLT,flange	凸緣螺栓	2		





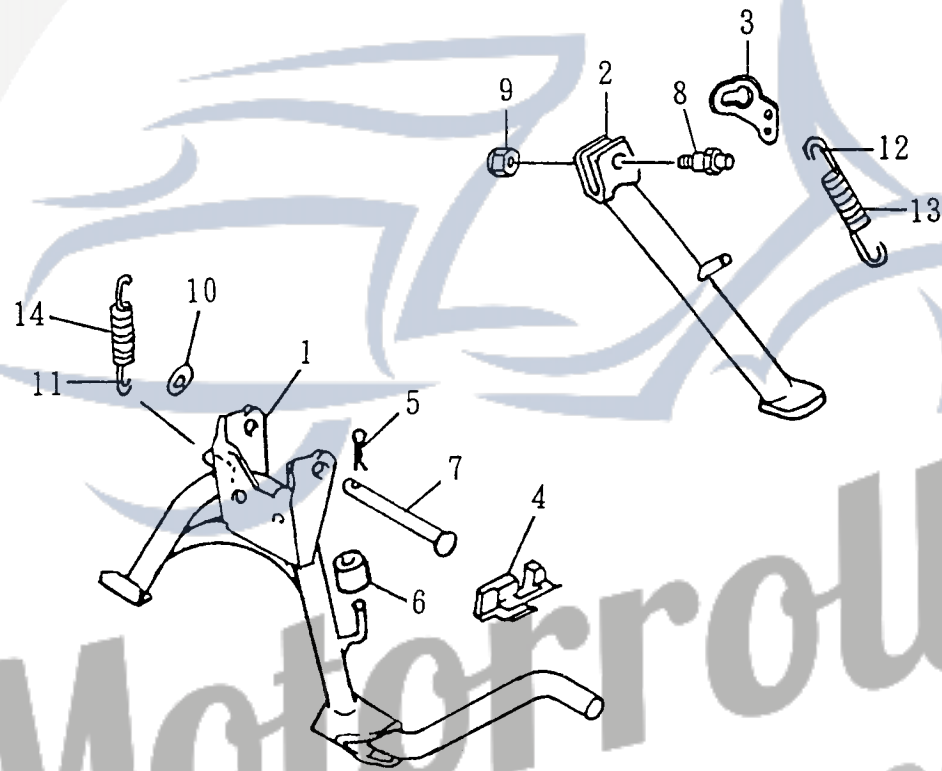
**FIG 15 SIDE COVER.FOOTREST 側蓋.腳踏板**

NO.	PARTS NO.	PARTS NAME		Q'TY	PRICE	REMARK
23	96414-06030-K	BOLT,flange	凸緣螺栓	2		
24	96414-08050-K	BOLT,flange	凸緣螺栓	2		



Motorroller.de  
- seit 1993 -



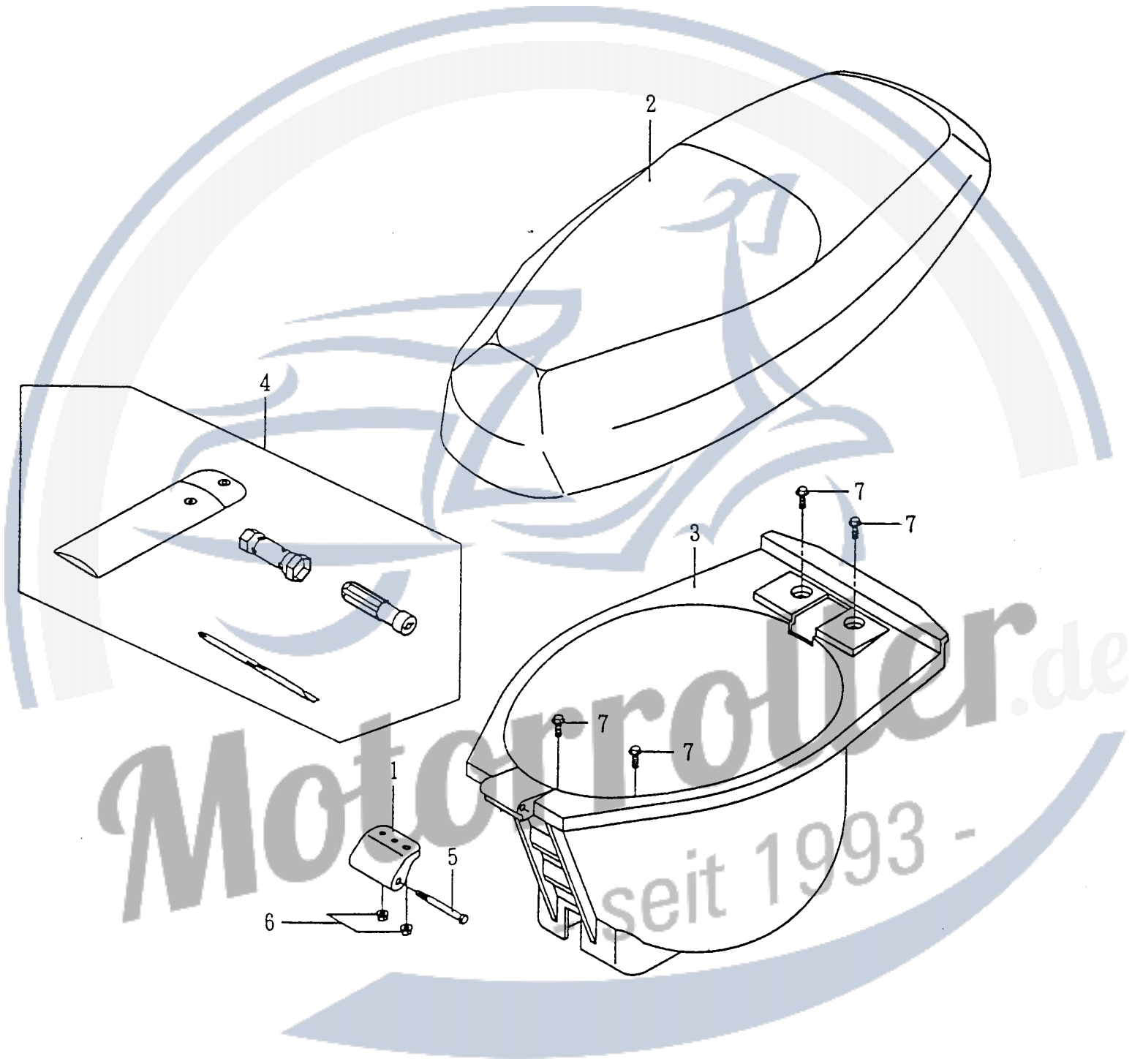


Motorroller.de  
- seit 1993 -

**FIG 16 STAND 支架**

NO.	PARTS NO.	PARTS NAME		Q'TY	PRICE	REMARK
1	33211-NDF-00	STAND,main	主腳架	1		
2	33311-PAF-00	STAND,side	側腳架	1		
3	33316-PAF-00	SPRING BRACKET	側腳架回位片	1		
4	61393-NAF-00	HOLDER	鋼索固定座	1		
5	90230-12010	COTTER PIN	開尾銷	1		
6	93580-62614	.SNUBBER	主腳架緩衝橡皮塊	1		
7	94610-10090-K	FIX SHAFT	主腳架固定軸	1		
8	94710-08046-C	FIX BOLT	側腳架固定螺栓	1		
9	95311-081308-C	NUT,nylon	尼龍螺帽	1		
10	97201-102020-C	WASHER,plate	平面墊圈	1		
11	97506-12082	SPRING,tension 2	主腳架拉伸彈簧 2	1		
12	97506-14081	SPRING,tension 1	側腳架拉伸彈簧 1	1		
13	97506-20121	SPRING,tension 2	側腳架拉伸彈簧 2	1		
14	97506-32131	SPRING,tension	主腳架拉伸彈簧	1		

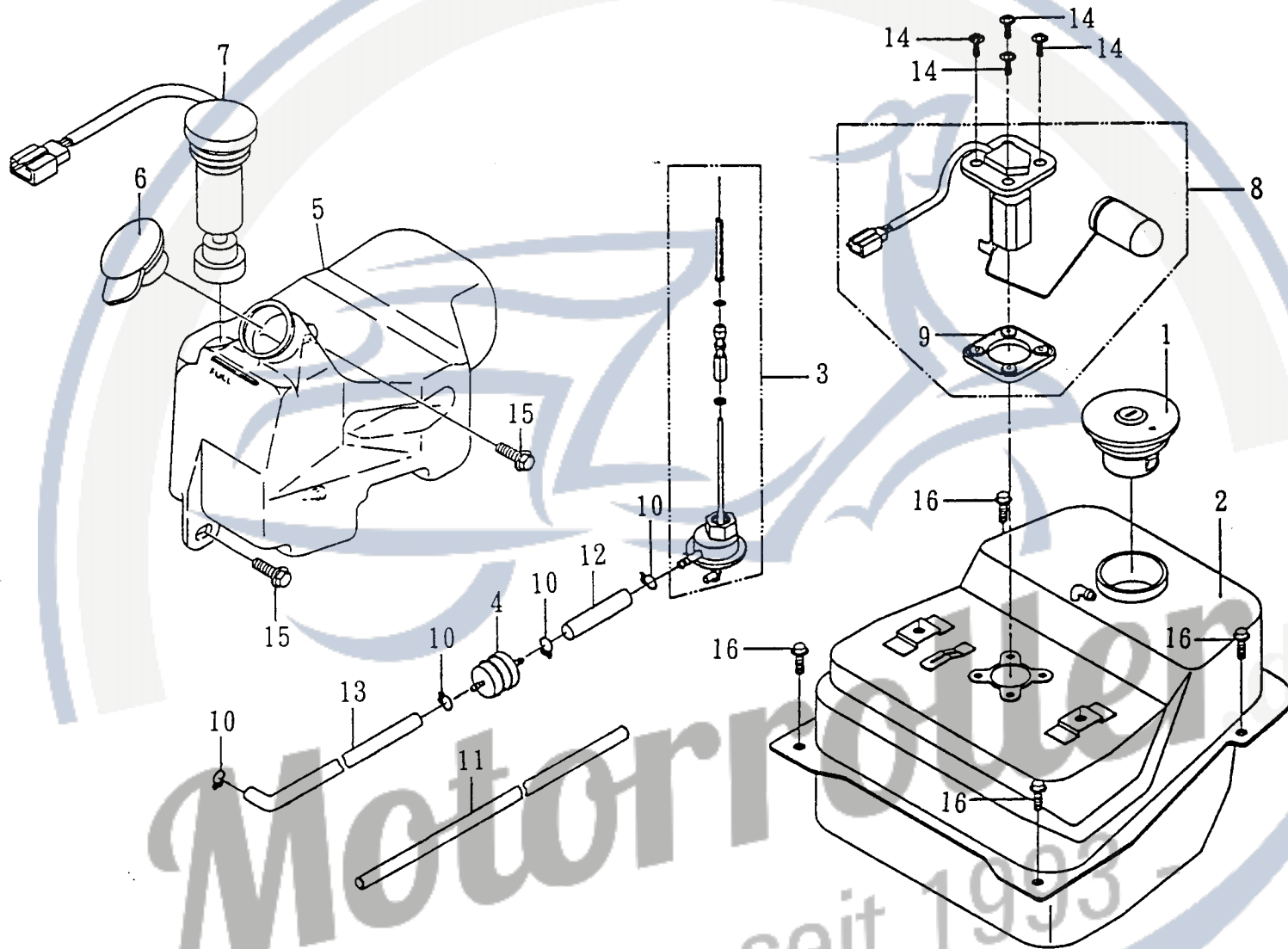
Motorroller.de  
- seit 1993 -



**FIG 17 SEAT 座墊**

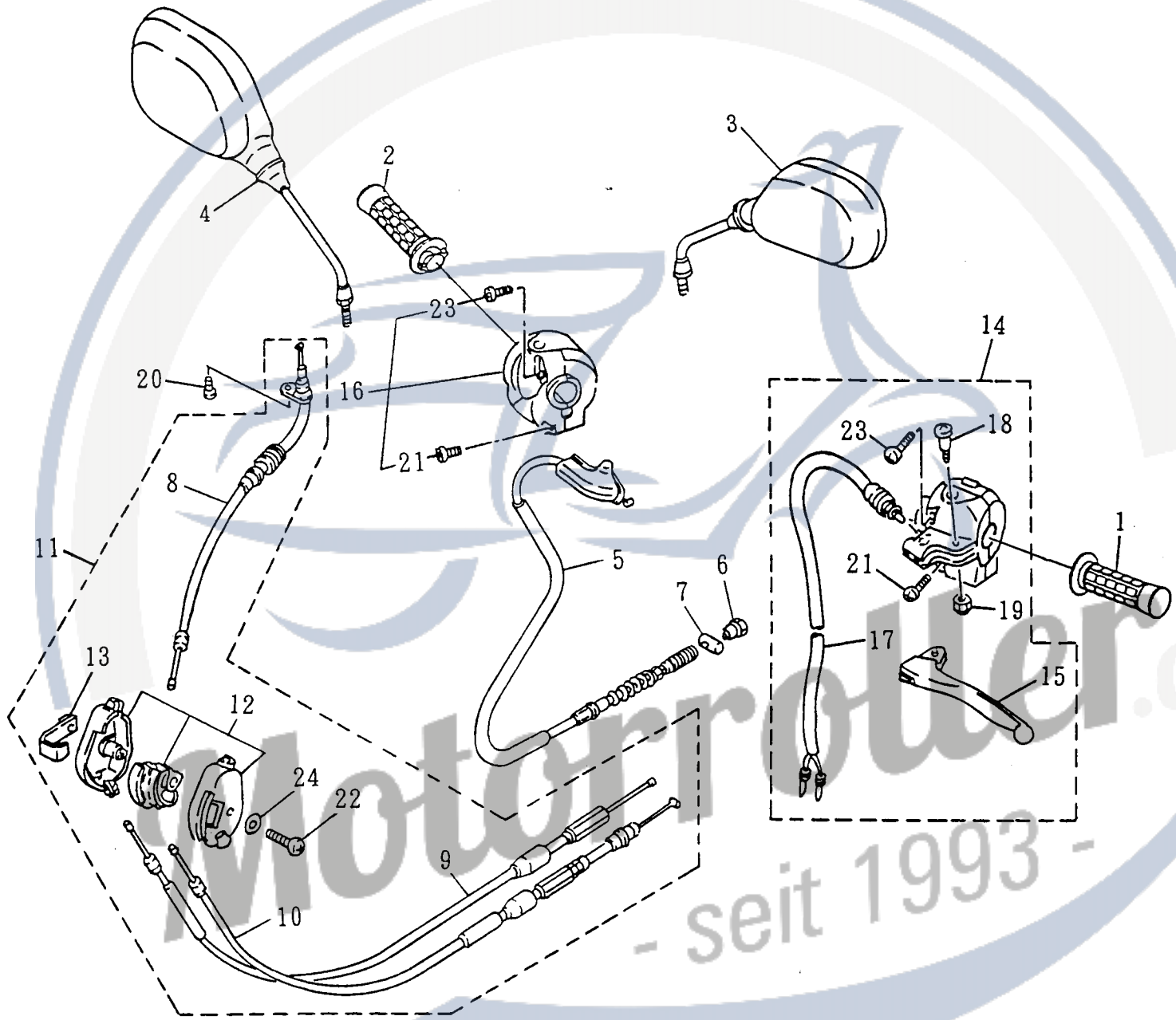
NO.	PARTS NO.	PARTS NAME		Q'TY	PRICE	REMARK
1	52726-PAF-00	HINGE,seat	座墊活葉	1		
2	52730-PAF-00	DOUBLE SEAT ASSEMBLY	座墊總成	1		
3	52830-PAF-00	BOX	置物箱	1		
4	56100-NAF-00	TOOL KIT	工具包	1		
5	94706-06065-C	BOLT,hinge	座墊活葉固定螺栓	1		
6	95401-061006-C	NUT,flange	凸緣螺帽	2		
7	96414-06016-C	BOLT,flange	凸緣螺栓	4		

**Motorroller.de**  
- seit 1993 -



## FIG 18 TANK 油箱

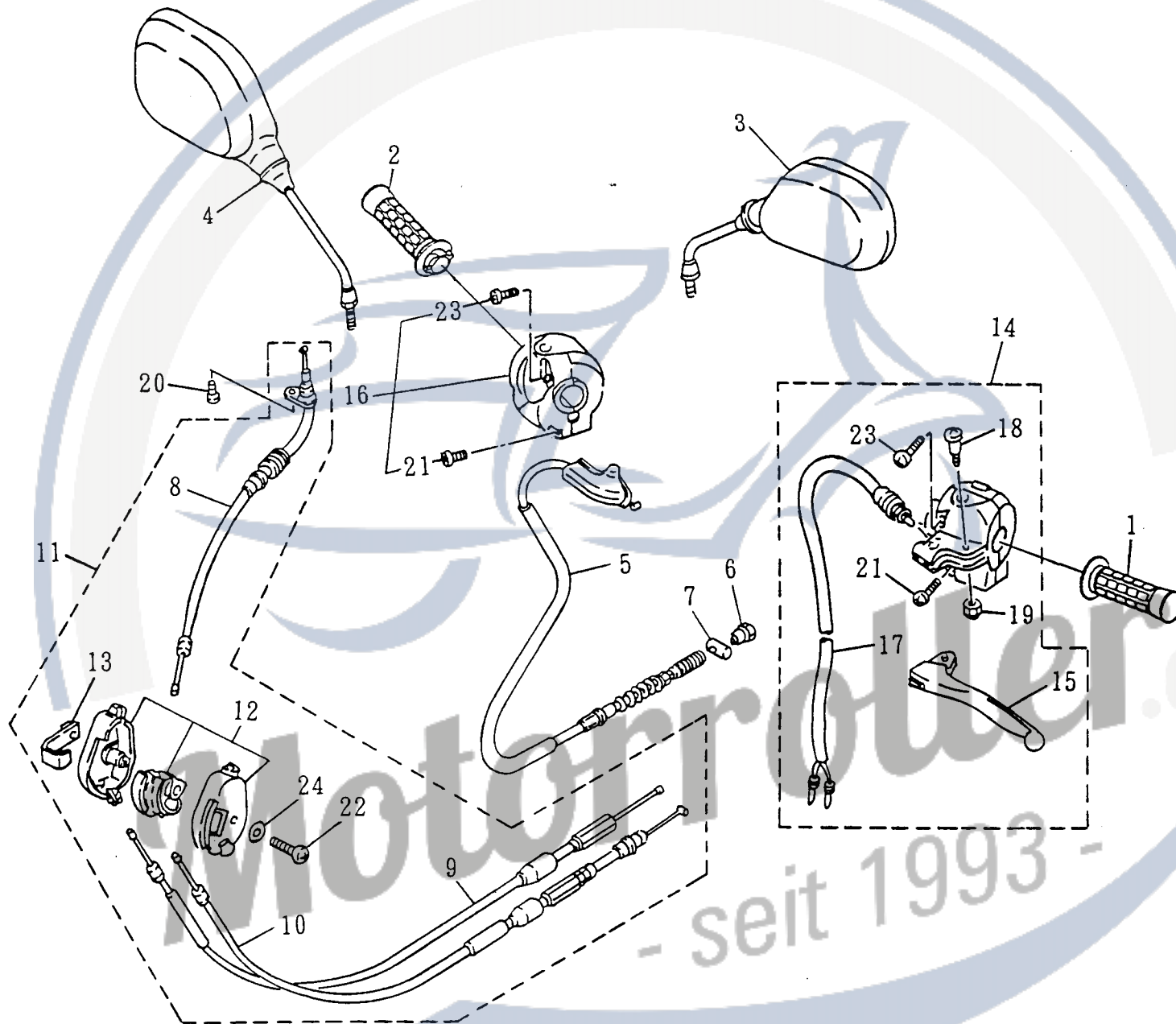
NO.	PARTS NO.	PARTS NAME		Q'TY	PRICE	REMARK
1	43102-PAF-00	.CAP ASSEMBLY	汽油箱蓋總成	1		
2	43110-PAF-00	FUEL TANK COMP	汽油箱總成	1		
3	43500-PAF-00	CUP,fuel	油杯	1		
4	43570-NAF-00	FUEL FILTER	汽油過濾杯	1		
5	43751-NAF-00	TANK,oil	潤滑油箱	1		
6	43771-NAF-01	BODY,cap	潤滑油箱蓋	1		
7	62720-NAF-00	OIL LEVEL GAUGE ASSEMBLY	油標總成	1		
8	62770-PAF-00	SENDER UNIT ASSEMBLY	汽油油面感應器	1		
9	62773-NAF-00	.GASKET,sender unit	墊片	1		
10	90210-12010	CLIP	管夾	4		
11	90310-42071	HOSE	負壓管	1		
12	90310-50101	PIPE,fuel	汽油管	1		
13	90310-50103	PIPE,fuel	汽油管	1		
14	96218-05012-C	BOLT,hexagon with washer	六角螺栓附墊圈	4		
15	96218-06016-C	BOLT,hexagon with washer	六角螺栓附墊圈	2		
16	96414-06012-C	BOLT,flange	凸緣螺栓	4		





## FIG 19 CABLE.SWITCH 鋼索 開關

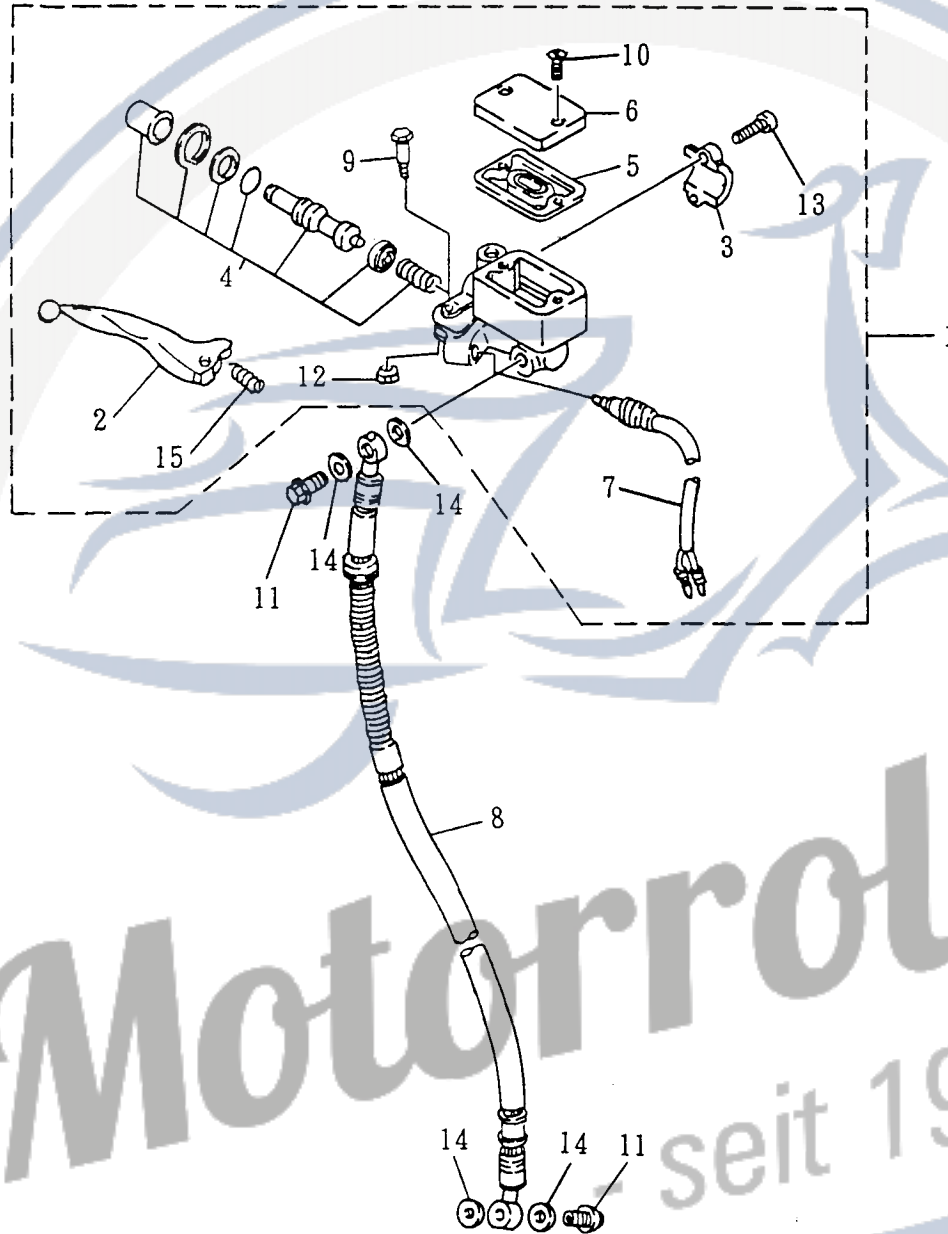
NO.	PARTS NO.	PARTS NAME		Q'TY	PRICE	REMARK
1	46240-NHF-00	GRIP L	左握把	1		
2	46241-NHF-00	GRIP ASSEMBLY R	右握把總成	1		
3	56280-NHF-00	REAR VIEW MIRROR ASSEMBLY L	左後視鏡總成	1		
4	56290-NHF-00	REAR VIEW MIRROR ASSEMBLY R	右後視鏡總成	1		
5	61320-NAF-00	CABLE,brake	後剎車鋼索	1		
6	61379-NAF-00	NUT,adjust	調整螺帽	1		
7	61389-NAF-00	PIN,fixture	導線固定塊	1		
8	61611-NAF-00	.CABLE,throttle F	節流鋼索 前	1		
9	61612-NAF-00	.CABLE,throttle	化油器鋼索	1		
10	61613-NAF-00	.CABLE,pump	油泵鋼索	1		
11	61620-NAF-00	CABLE ASSEMBLY	節流鋼索總成	1		
12	61660-NAF-00	.CABLE,pan connector	鋼索接筒	1		
13	61668-NAF-00	FIXTURE,connector	接筒固定片	1		
14	62910-NAF-00	LEVER HOLDER ASSEMBLY L	左把手控制座總成	1		
15	62912-NAF-00	.LEVER L	左把手	1		
16	62920-NAF-00	LEVER HOLDER ASSEMBLY R	右把手控制座總成	1		
17	62980-NAF-00	.FRONT STOP SWITCH ASSEMBLY L	前剎車燈開關總成	1		
18	94710-05025-K	.SCREW	螺絲	1		
19	95311-050805-K	.NUT,nylon	尼龍螺帽	1		
20	96310-05010-K	SCREW,pan head	十字孔頭螺絲	1		
21	96310-05025-K	.SCREW,pan head	十字孔頭螺絲	2		
22	96310-05030-C	SCREW,pan head	十字孔頭螺絲	1		



**FIG 19 CABLE.SWITCH 鋼索開關**

NO.	PARTS NO.	PARTS NAME	QTY	PRICE	REMARK
23	96310-05035-K	.SCREW,pan head	2		十字孔頭螺絲
24	97201-051208-C	WASHER,plate	1		平面墊圈

**Motorroller.de**  
- seit 1993 -

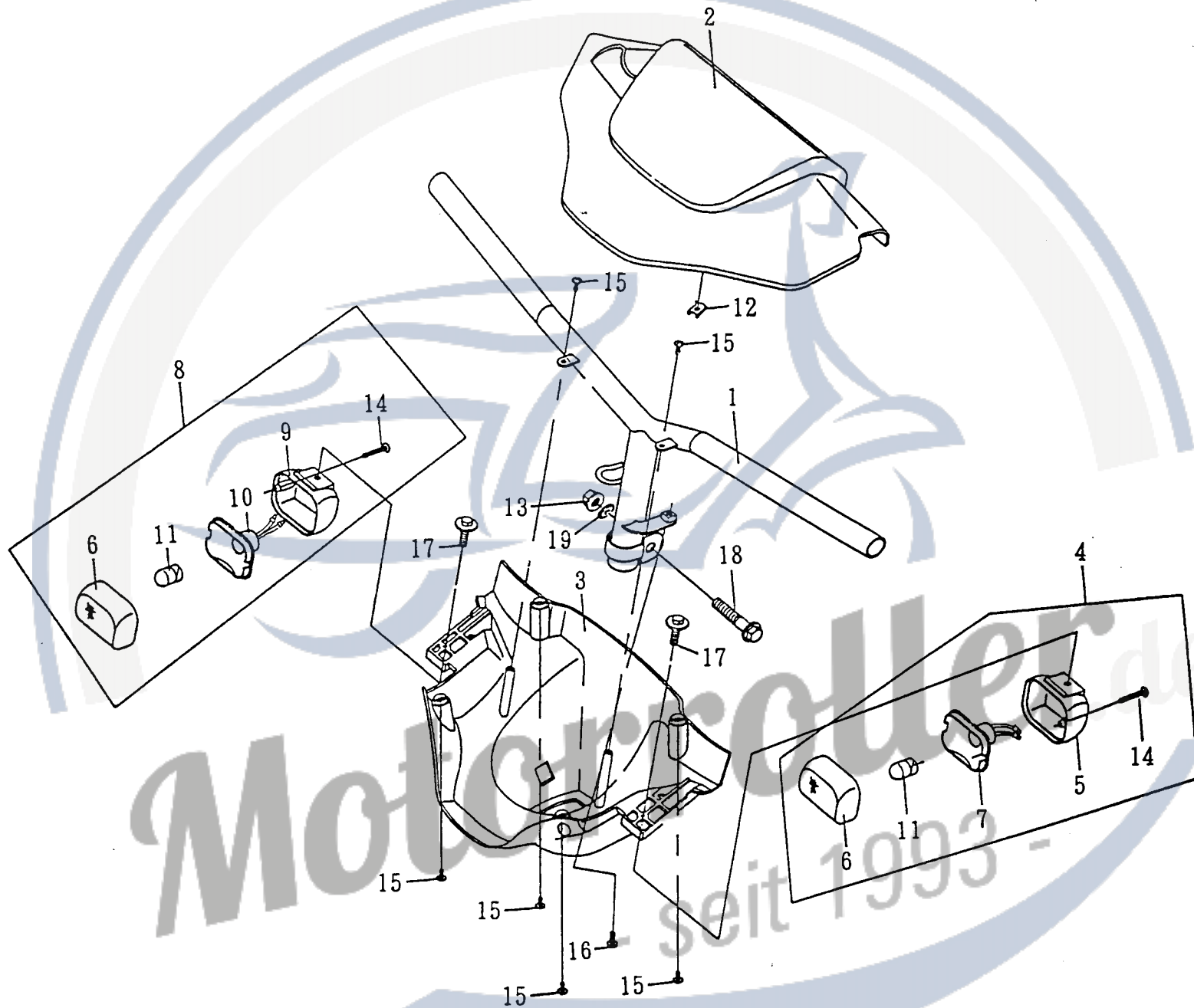


Motorroller.de  
seit 1993 -

## FIG 20 FRONT MASTER CYLINDER 前主缸

NO.	PARTS NO.	PARTS NAME	QTY	PRICE	REMARK
1	45870-NAF-00	MASTER CYLINDER SUB ASSEMBLY	1		主缸總成
2	45872-NAF-00	.LEVER R	1		右把手
3	45873-NAF-00	.BRACKET, master cylinder	1		主缸支架
4	45877-NAF-00	.CYLINDER KIT, master	1		推進器
5	45878-NAF-00	.DIAPHRAGM, reservoir	1		油槽隔片
6	45879-NAF-00	.CAP, reservoir	1		油槽蓋
7	45890-NAF-00	.FRONT STOP SWITCH ASSEMBLY R	1		前剎車燈開關總成 右
8	61820-PAF-00	HOSE, brake	1		剎車油管
9	94710-06030-K	.BOLT, hexagon	1		六角螺栓
10	94712-04012-K	.SCREW, flat head	2		十字孔埋頭螺絲
11	94716-10022-G	BOLT, union	2		接合螺栓
12	95401-061006-K	.NUT, flange	1		凸緣螺帽
13	96510-06025-K	.BOLT, socket	2		六角承窩螺栓
14	97230-101512	WASHER, copper	4		銅墊圈
15	97501-10045	.SPRING, compression	1		壓縮彈簧

Motorroller.de  
- seit 1993 -

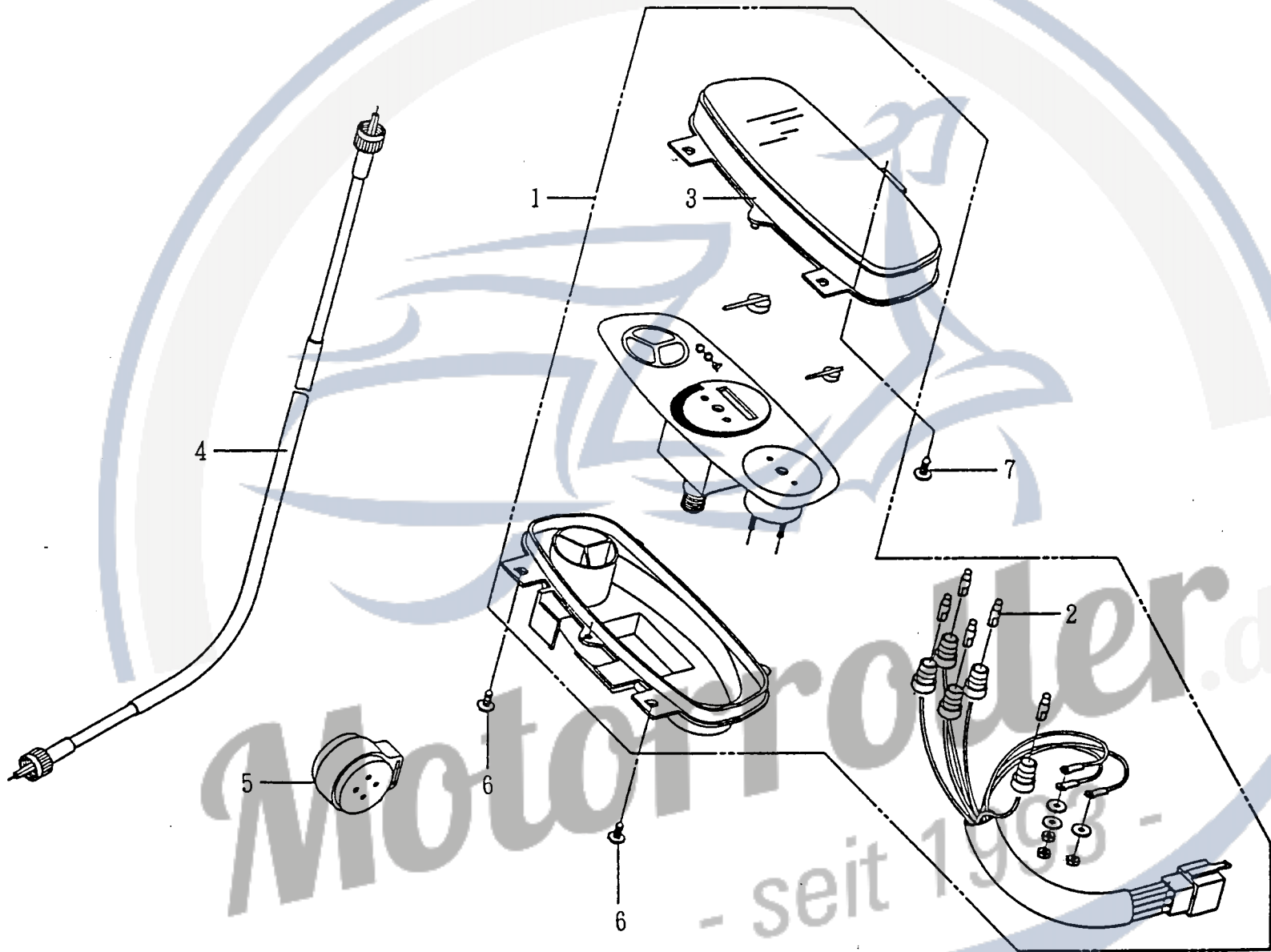




## FIG 21 COWLING 整流罩

NO.	PARTS NO.	PARTS NAME		Q'TY	PRICE	REMARK
1	46110-PAF-00	HANDLE COMP	把手整體	1		
2	55213-PAF-00	COVER,upper	把手上蓋	1		
3	55215-PAF-00	COVER,lower	把手下蓋	1		
4	55350-PAF-00	FLASHER,front L	前方向燈組 左	1		
5	55351-PAF-00	.FLASHER STAND,front L	前方向燈座 左	1		
6	55352-PAF-00	.FLASHER COVER	方向燈殼	2		
7	55356-PAF-00	.BULB STAND,front L	前方向燈泡座 左	1		
8	55360-PAF-00	FLASHER,front R	前方向燈組 右	1		
9	55361-PAF-00	.FLASHER STAND,front R	前方向燈座 右	1		
10	55366-PAF-00	.BULB STAND,front R	前方向燈泡座 右	1		
11	55711-NCF-00	.BULB,flasher	方向燈泡	2		
12	95101-05012	NUT,spring	U形板螺帽	1		
13	95311-101710-C	NUT,nylon	尼龍螺帽	1		
14	96110-32024-K	.SCREW,tapping	自攻螺絲	2		
15	96112-41618-K	SCREW,tapping	自攻螺絲	6		
16	96218-05012-C	BOLT,hexagon with washer	六角螺栓附墊圈	1		
17	96218-05016-K	BOLT,hexagon with washer	六角螺栓附墊圈	2		
18	96414-10047-C	BOLT,flange	凸緣螺栓	1		
19	97201-102020-C	WASHER,plate	平面墊圈	1		

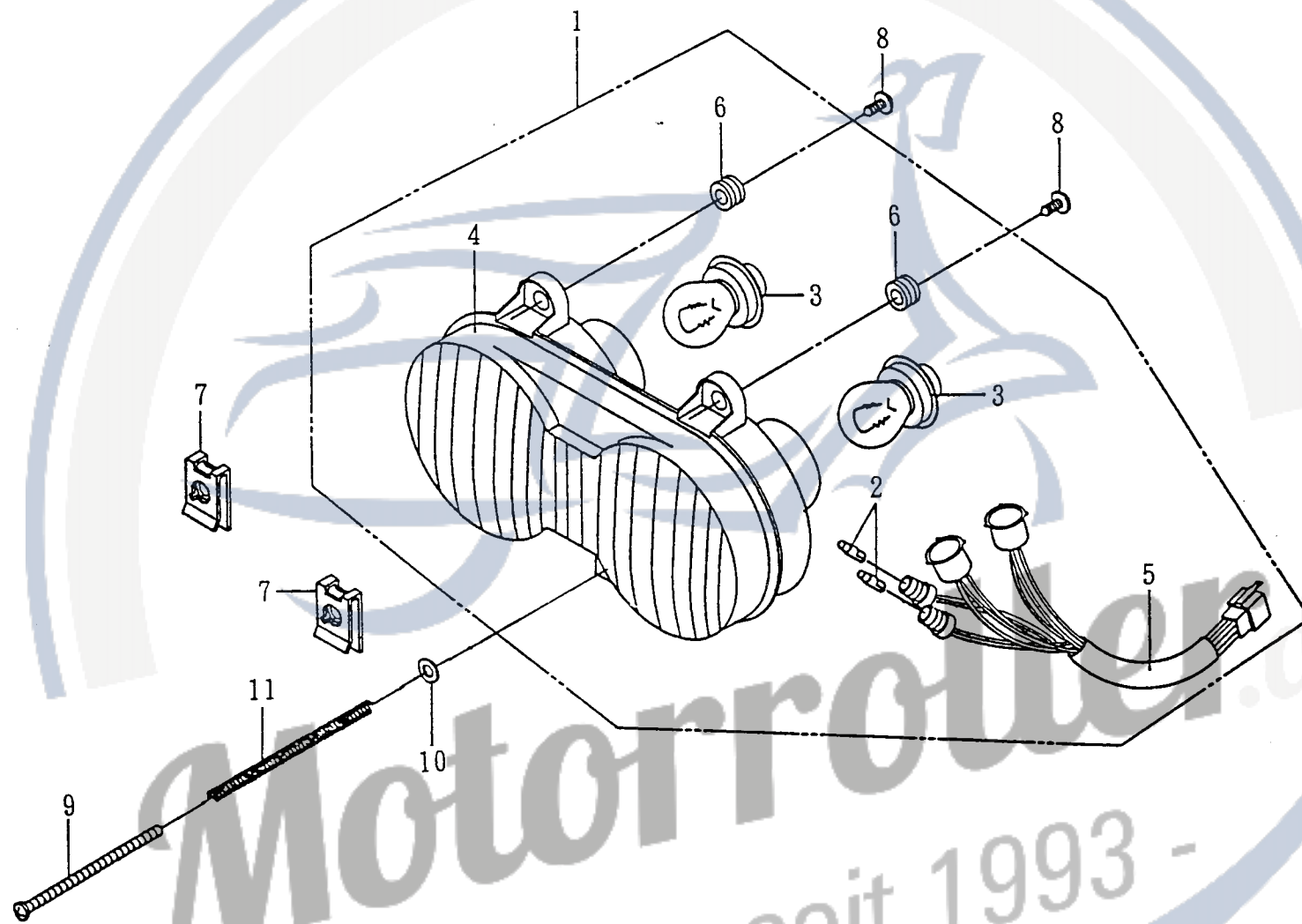




## FIG 22 SPEEDOMETER 速度表

NO.	PARTS NO.	PARTS NAME		Q'TY	PRICE	REMARK
1	55510-PAF-00	SPEEDOMETER ASSEMBLY	速度表總成	1		
2	55517-PAF-00	.BULB	燈泡	5		
3	55530-PAF-00	.GLASS PLATE	速度表蓋	1		
4	61520-PAF-00	SPEEDOMETER CABLE ASSEMBLY	速度表鋼索總成	1		
5	62350-NAF-01	FLASHER RELAY ASSEMBLY	方向警報斷續器總成	1		
6	96112-41618-K	SCREW,tapping	自攻螺絲	2		
7	96112-51612-C	SCREW,tapping	自攻螺絲	1		

Motorroller.de  
- seit 1993 -

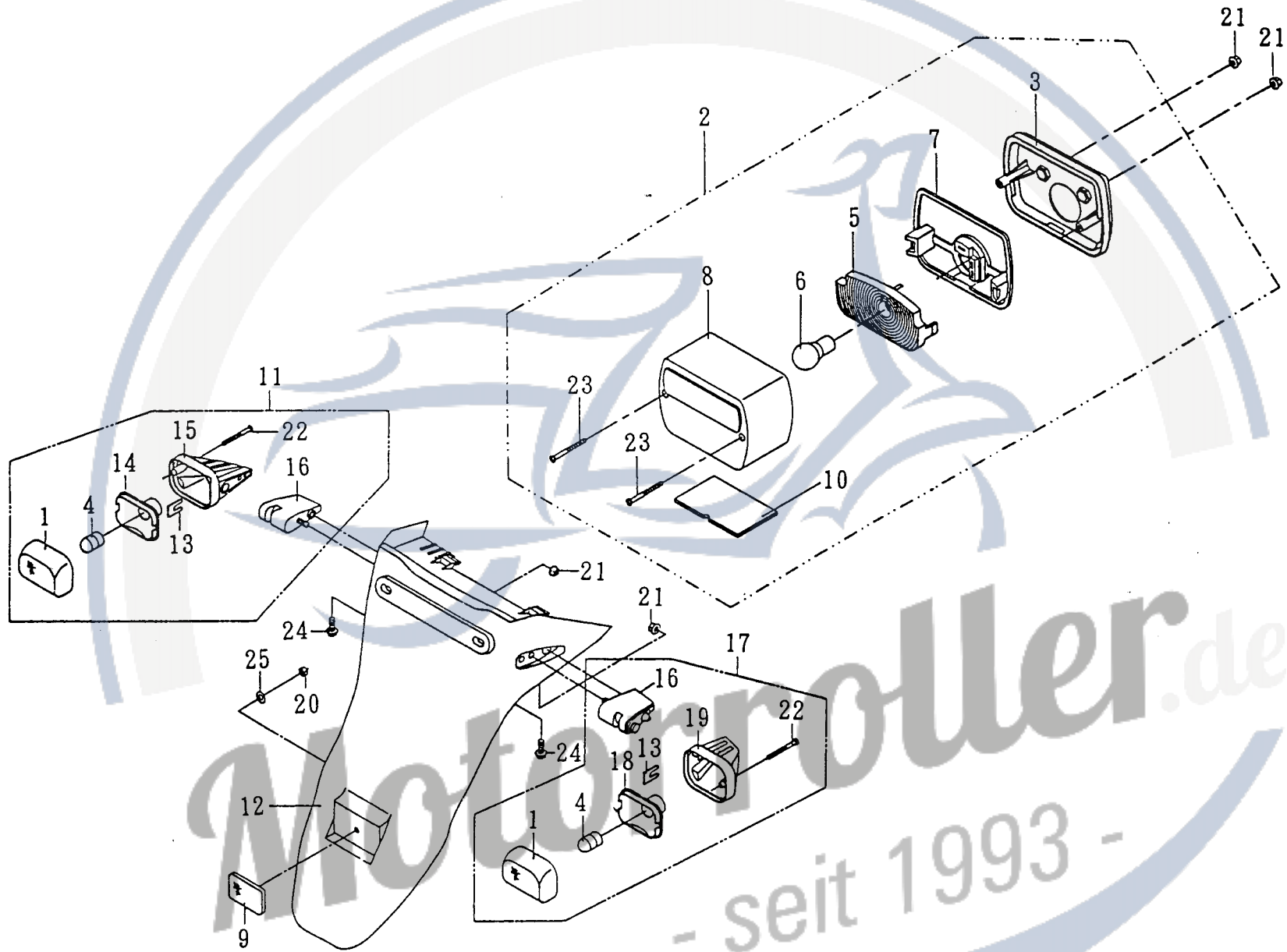


Motorroller.de  
- seit 1993 -

## FIG 23 HEADLIGHT 前燈

NO.	PARTS NO.	PARTS NAME		Q'TY	PRICE	REMARK
1	55300-PAF-00	HEADLIGHT ASSEMBLY	前燈總成	1		
2	55313-PAF-00	.BULB,position lamp	位置燈燈泡	2		
3	55314-PAF-00	.BULB,headlight	前燈燈泡	2		
4	55320-PAF-00	.LENS ASSEMBLY	前燈單元總成	1		
5	55340-PAF-00	.SOCKET CORD ASSEMBLY	燈座總成	1		
6	93580-61507	.GROMMET	套環	2		
7	95101-05012	NUT,spring	U形板螺帽	2		
8	96112-51612-C	SCREW,tapping	自攻螺絲	2		
9	96310-04062	SCREW,pan head	十字孔頭螺絲	1		
10	97201-051208-C	WASHER,plate	平面墊圈	1		
11	97501-10060	SPRING,compression	壓縮彈簧	1		

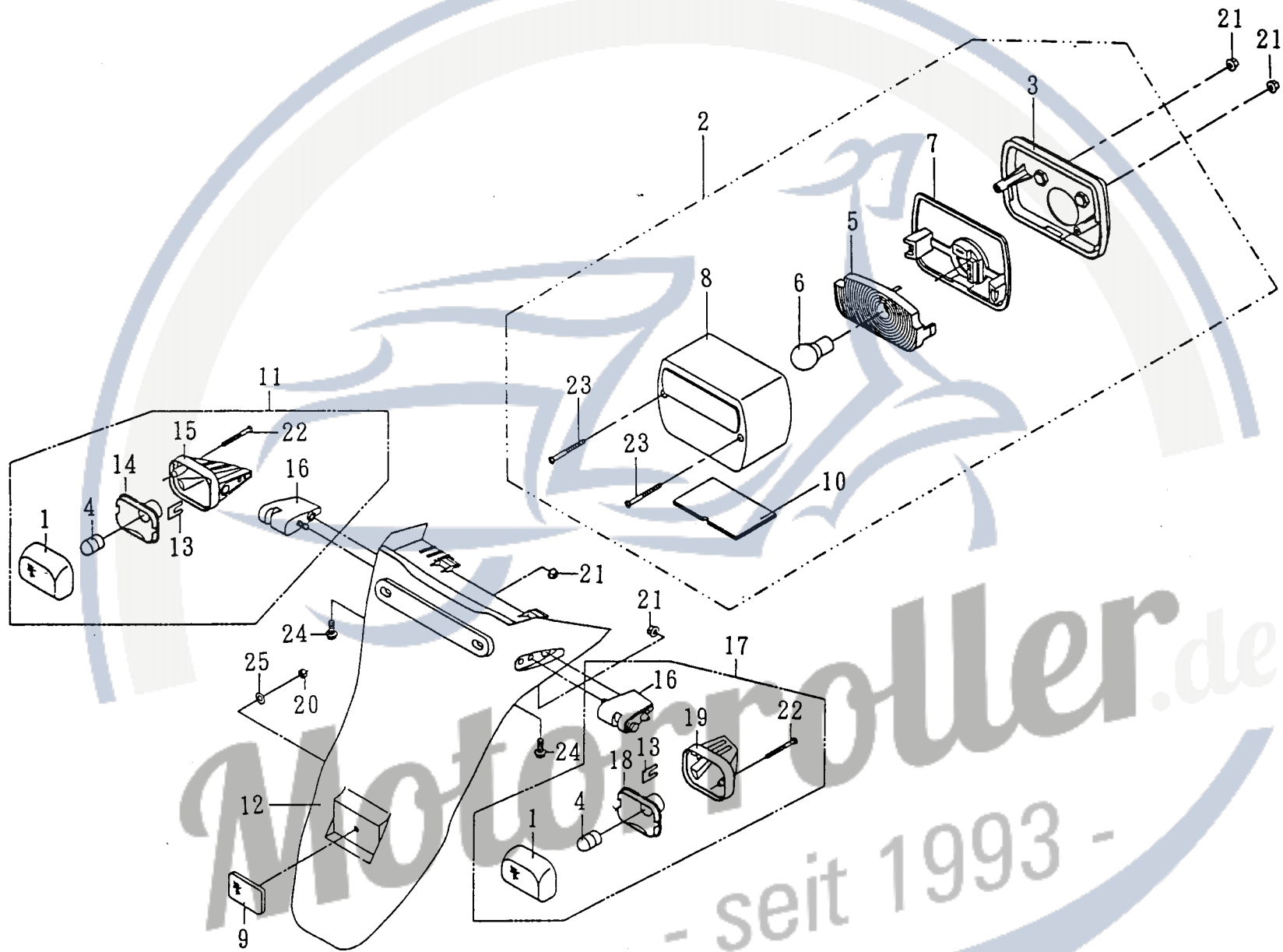
Motorroller.de  
- seit 1993 -



## FIG 24 TAILLIGHT 後燈

NO.	PARTS NO.	PARTS NAME		Q'TY	PRICE	REMARK
1	55352-PAF-00	.FLASHER COVER	方向燈殼	2		
2	55700-PAF-00	TAILLIGHT ASSEMBLY	後燈總成	1		
3	55701-PAF-00	.STAND,taillight	後燈座	1		
4	55711-NCF-00	.BULB,flasher	方向燈泡	2		
5	55713-PAF-00	.BULB STAND,taillight	後剎車燈泡座	1		
6	55714-PAF-00	.BULB,taillight	後剎車燈泡	1		
7	55715-PAF-00	.FIXING WASHER	固定墊圈	1		
8	55721-PAF-00	.LENS,taillight	後燈罩	1		
9	55722-NCF-00	REFLECTOR	反射片	1		
10	55743-PAF-00	.LENS,licence light	牌照燈罩	1		
11	55750-PAF-00	FLASHER,rear L	後方向燈組 左	1		
12	55751-PAF-00	BRACKET,license	牌照板	1		
13	55753-PAF-00	.FIXING PLATE	定位片	2		
14	55756-PAF-00	.BULB STAND,rear L	後方向燈泡座 左	1		
15	55757-PAF-00	.FLASHER STAND,rear L	後方向燈座 左	1		
16	55758-PAF-00	.LAMP SEAT	緩衝座	2		
17	55760-PAF-00	FLASHER,rear R	後方向燈組 右	1		
18	55766-PAF-00	.BULB STAND,rear R	後方向燈泡座 右	1		
19	55767-PAF-00	.FLASHER STAND,rear R	後方向燈座 右	1		
20	95201-050804-C	NUT,hexagon	六角螺帽	1		
21	95401-061006-C	NUT,flange	凸緣螺帽	4		
22	96110-32024-K	.SCREW,tapping	自攻螺絲	2		



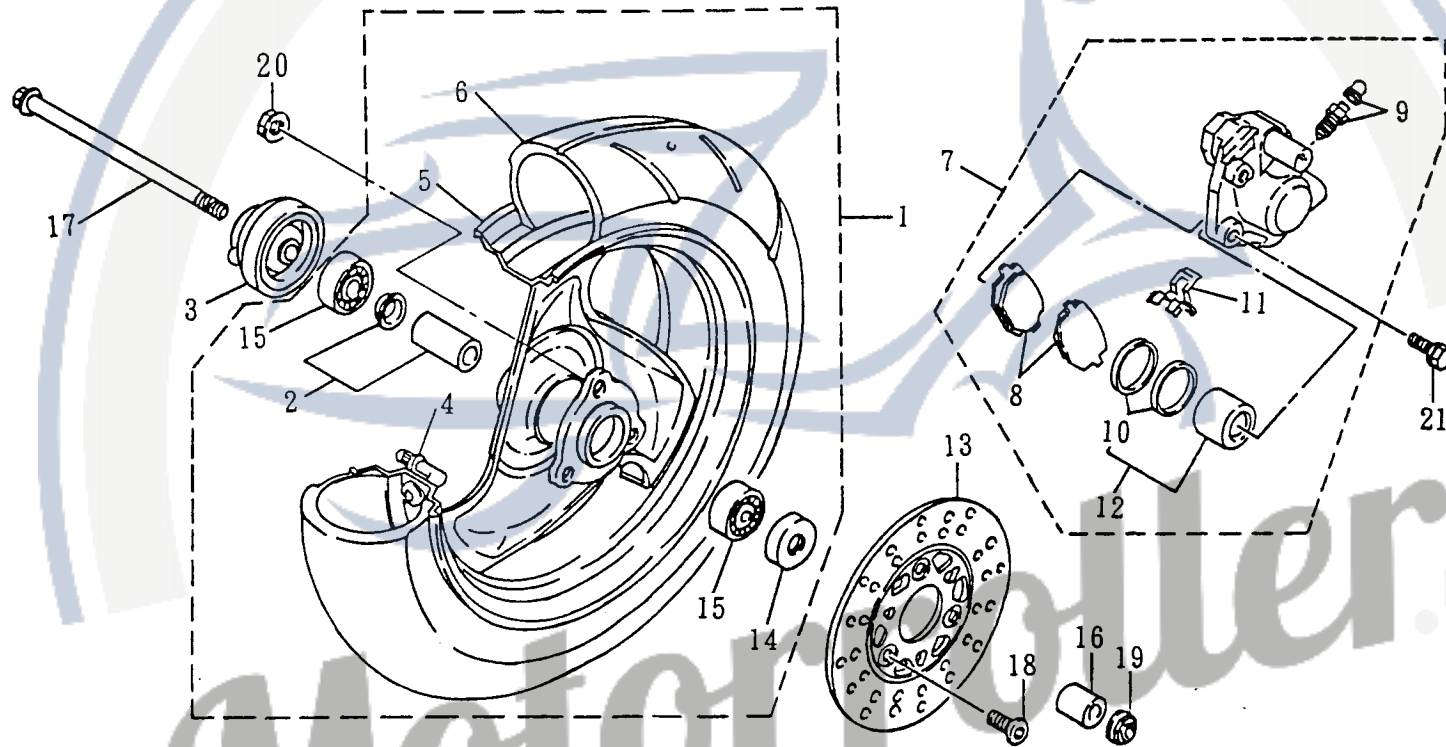


**FIG 24 TAILLIGHT 後燈**

NO.	PARTS NO.	PARTS NAME		Q'TY	PRICE	REMARK
23	96112-43818-B	.SCREW,tapping	自攻螺絲	2		
24	96312-06016-C	SCREW,pan head with washer	十字孔頭螺絲附墊圈	2		
25	97201-051208-C	WASHER,plate	平面墊圈	1		

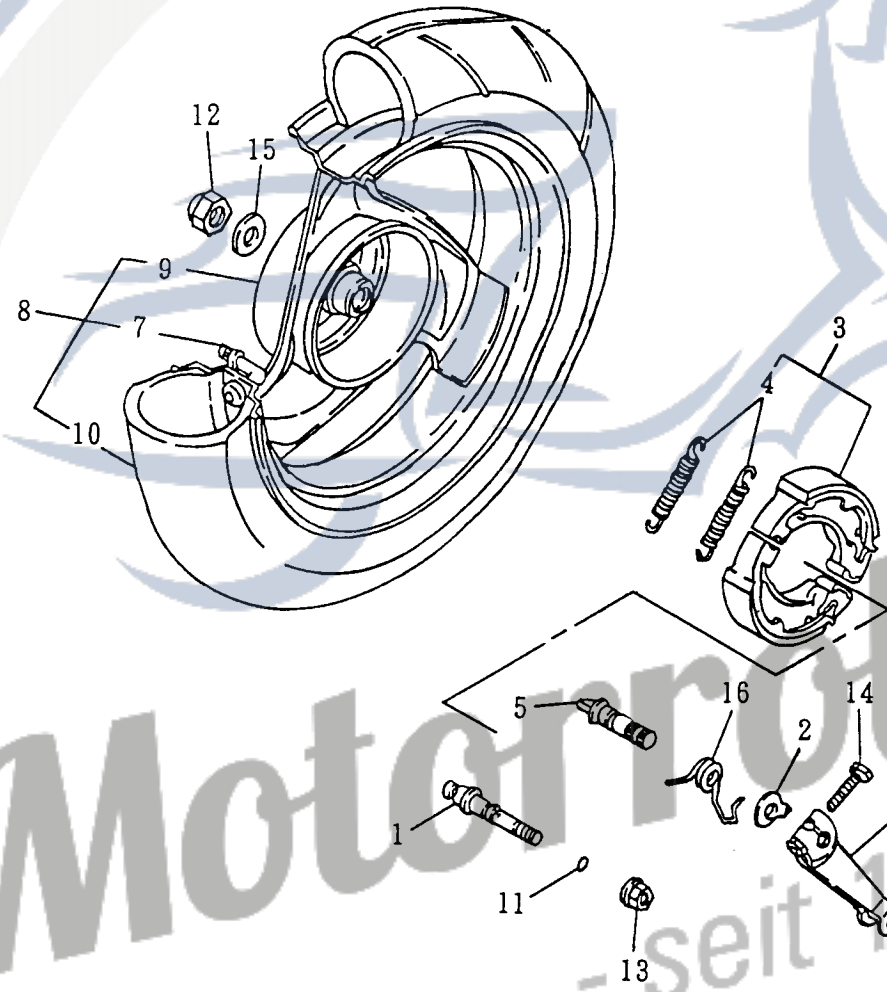


Motorroller.de  
- seit 1993 -



## FIG 25 FRONT WHEEL 前輪

NO.	PARTS NO.	PARTS NAME		Q'TY	PRICE	REMARK
1	42500-NDF-00	FRONT WHEEL ASSEMBLY	前輪總成	1		
2	42515-NDF-00	FLANGE,spacer	凸緣隔筒	1		
3	42560-NDF-00	GEAR UNIT ASSEMBLY (19/9T)	齒輪組件總成	1		
4	42570-NAF-00	VALVE,rim	氣門嘴	1		
5	42580-NDF-00	FRONT WHEEL COMP	前輪圈	1		
6	42590-NDF-00	TIRE (120/90-10)	外胎	1		
7	45801-NAF-00	CALIPER ASSEMBLY	卡鉗總成	1		
8	45815-NAF-00	.BRAKE PAD KIT	前剎車片組	1		
9	45816-NAF-00	.BREED SCREW KIT	螺栓桿	1		
10	45818-NAF-00	.CALIPER SEAL KIT	卡鉗油封組	1		
11	45819-NAF-00	.SUPPORT,pad	緩衝器支座	1		
12	45827-NAF-00	.PISTON ASSEMBLY,caliper	卡鉗活塞總成	1		
13	45831-NAF-00	DISC,brake	剎車圓盤	1		
14	93110-17357	OIL SEAL	油封	1		
15	93320-103511Z	BEARING,radial ball	滾珠軸承	2		
16	93510-101720	COLLAR	前輪間隔管	1		
17	94610-10220-C	AXLE,wheel	前輪軸	1		
18	94706-10020-C	BOLT,socket	剎車盤固定螺栓	3		
19	95311-101710-C	NUT,nylon	尼龍螺帽	1		
20	95401-101409-C	NUT,flange	凸緣螺帽	3		
21	96414-08034-C	BOLT,flange	凸緣螺栓	2		

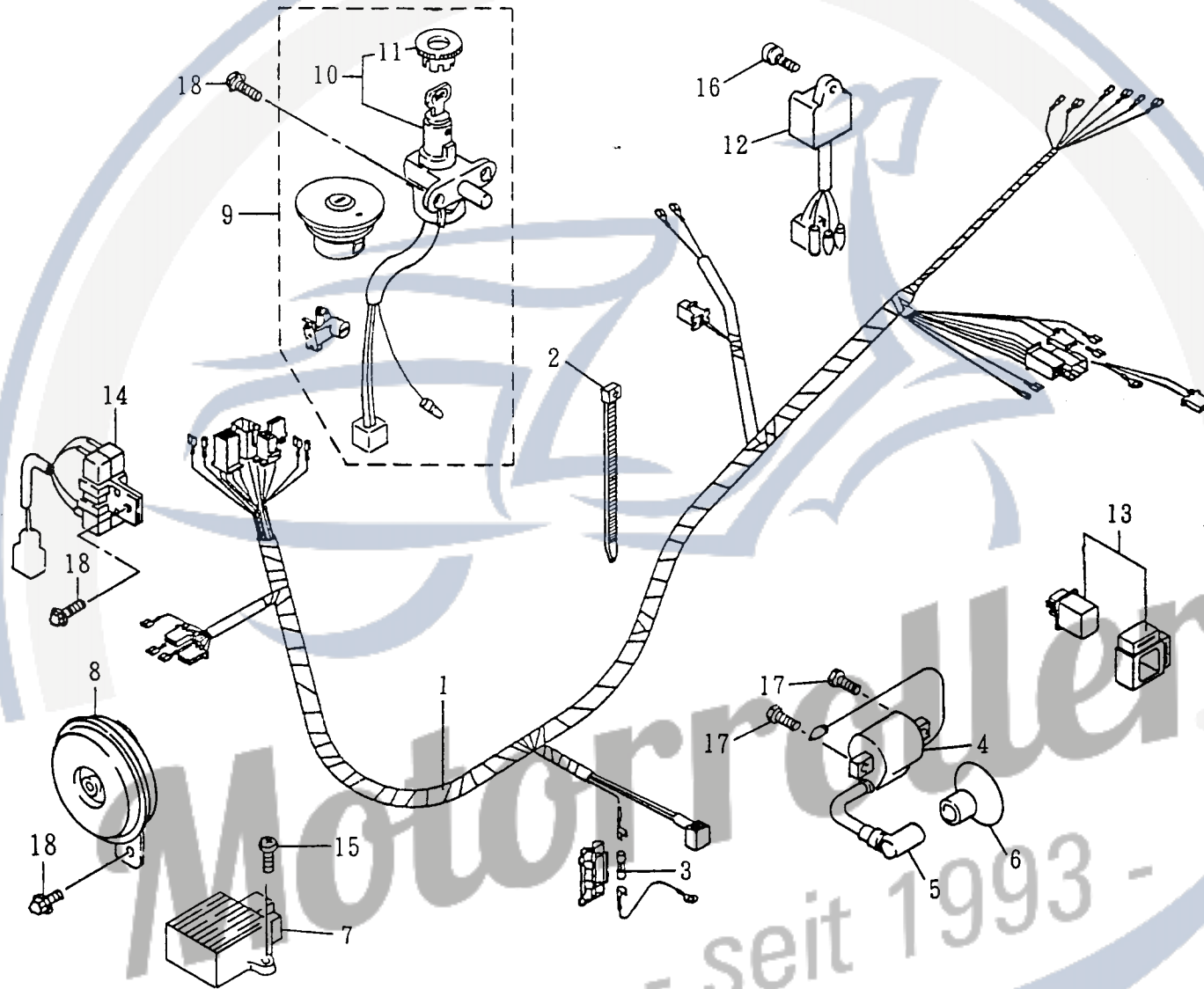


Motorroller.de  
- seit 1993 -

## FIG 26 REAR WHEEL 後輪

NO.	PARTS NO.	PARTS NAME		Q'TY	PRICE	REMARK
1	32326-NAF-00	PIN,pivot	後剎車固定軸	1		
2	32331-NAF-00	PLATE,indicator	後剎車指示器平板	1		
3	32345-NAF-00	BRAKE SHOE KIT	後剎車塊組	1		
4	32346-NAF-00	.SPRING,tension	拉伸彈簧	2		
5	32351-NAF-00	CAMSHAFT	後剎車凸輪軸	1		
6	32355-NAF-00	LEVER,camshaft	後剎車搖臂	1		
7	42570-NAF-00	VALVE,rim	氣門嘴	1		
8	42800-NDF-00	REAR WHEEL ASSEMBLY	後輪總成	1		
9	42880-NDF-00	REAR WHEEL COMP	後輪圈	1		
10	42890-NDF-00	TIRE (100/90-10)	外胎	1		
11	93210-19070	O-RING	護油圈	1		
12	95311-142214-C	NUT,nylon	尼龍螺帽	1		
13	95401-101409-C	NUT,flange	凸緣螺帽	1		
14	96210-06027-C	BOLT,hexagon	六角螺栓	1		
15	97201-142620-C	WASHER,plate	平面墊圈	1		
16	97508-24192	SPRING,torsion	後剎車扭轉彈簧	1		





Motorroller.de  
- seit 1993 -

## FIG 27 ELECTRICAL 電裝

NO.	PARTS NO.	PARTS NAME		QTY	PRICE	REMARK
1	61120-PAF-00	WIRE HARNESS ASSEMBLY	主配線總成	1		
2	61135-NAF-00	BAND,cord	束帶	3		
3	61151-NAF-00	.FUSE	保險絲	1		
4	62310-NAF-00	IGNITION COIL ASSEMBLY	點火線圈總成	1		
5	62320-NAF-00	PLUG CAP ASSEMBLY	火星塞蓋總成	1		
6	62322-NAF-00	SEAL,plug cap	火星塞蓋套	1		
7	62360-NAF-00	RECTIFIER & REGULATOR ASSEMB	整流穩壓器總成	1		
8	62370-NAF-00	HORN	喇叭	1		
9	62500-PAF-00	KEY SET	鎖組	1		
10	62501-PAF-00	.MAIN SWITCH STEERING LOCK	主開關舵鎖總成	1		
11	62511-NAF-00	.CAP,switch	開關帽	1		
12	62540-NAF-00	C.D.I. UNIT ASSEMBLY	C.D.I.組件總成	1		
13	62550-PAF-00	STARTER RELAY ASSEMBLY	起動開關總成	1		
14	62570-NAF-00	RESISTOR ASSEMBLY	電阻器總成	1		
15	96310-05012-C	SCREW,pan head	十字孔頭螺絲	2		
16	96310-06016-C	SCREW,pan head	十字孔頭螺絲	1		
17	96312-06020-C	SCREW,pan head with washer	十字孔頭螺絲附墊圈	2		
18	96414-06012-C	BOLT,flange	凸緣螺栓	4		

NUMERICAL INDEX 部品番號索引

PART NO. 部品番號	REF NO. 項次	PART NO. 部品番號	REF NO. 項次	PART NO. 部品番號	REF NO. 項次	PART NO. 部品番號	REF NO. 項次
11111-NAF-00	1- 1	13242-NAF-00	4- 10	15351-NAF-00	6- 10	25732-NAF-00	8- 15
11121-NAF-00	1- 2	13247-NAF-00	4- 11	15411-NAF-00	6- 11	25741-NAF-00	8- 16
11151-NAF-00	1- 3	13261-NAF-00	4- 12	15481-NAF-00	6- 12	25753-NAF-00	8- 17
11181-NAF-00	1- 4	13271-NAF-00	4- 13	22601-NAF-00	7- 1	25757-NAF-00	8- 18
11400-NAF-00	2- 1	13286-NAF-00	4- 14	22620-NAF-00	7- 2	26111-NAF-00	9- 1
11412-NAF-00	2- 2	13291-NAF-00	4- 15	22630-NAF-00	7- 3	26410-NDF-00	9- 2
11422-NAF-00	2- 3	13296-NAF-00	4- 16	23524-NAF-00	7- 4	26420-NDF-00	9- 3
11451-NAF-00	2- 4	13297-NAF-00	4- 17	23538-NAF-00	7- 5	31610-NAF-00	10- 1
11481-NAF-00	2- 5	13298-NAF-00	4- 18	23570-NAF-00	7- 6	31613-NAF-00	10- 2
11631-NAF-00	2- 6	13410-NAF-00	5- 1	23572-NAF-00	7- 7	31618-NAF-00	10- 4
11636-NAF-00	2- 7	13411-NAF-01	5- 2	23574-NAF-00	7- 8	32210-PAF-00	12- 1
12611-NAF-00	1- 5	13412-NAF-00	5- 3	23576-NAF-01	7- 9	32326-NAF-00	26- 1
12631-NAF-00	1- 6	13437-NAF-00	5- 4	23578-NAF-00	7- 10	32331-NAF-00	26- 2
12651-NAF-00	1- 7	13451-NAF-00	5- 5	23612-NAF-00	7- 11	32345-NAF-00	26- 3
12653-NAF-00	1- 8	13452-NAF-00	5- 6	23632-NAF-00	7- 12	32346-NAF-00	26- 4
12658-NAF-00	1- 9	13453-NAF-00	5- 7	23650-NAF-00	7- 13	32351-NAF-00	26- 5
13100-NAF-00	3- 1	13555-NAF-00	5- 8	25602-NAF-00	8- 1	32355-NAF-00	26- 6
13124-NAF-00	3- 2	13610-NAF-00	5- 9	25611-NAF-00	8- 2	33211-NDF-00	16- 1
13178-NAF-00	3- 3	13613-NAF-00	5- 10	25620-NAF-00	8- 3	33311-PAF-00	16- 2
13185-NAF-00	3- 4	13616-NAF-00	5- 11	25626-NAF-00	8- 4	33316-PAF-00	16- 3
13187-NAF-00	3- 5	13621-NAF-00	5- 12	23660-NAF-00	8- 5	35500-NAF-00	11- 1
13201-NAF-00	4- 1	15111-NAF-00	6- 1	25664-NAF-00	8- 6	35503-NAF-00	11- 2
13203-NAF-00	4- 2	15116-NAF-00	6- 2	25670-NAF-00	8- 7	35550-NAF-00	11- 3
13204-NAF-00	4- 3	15117-PAF-00	6- 3	25680-NAF-00	8- 8	35560-NAF-00	11- 4
13207-NAF-00	4- 4	15163-NAF-00	6- 4	25684-NAF-00	8- 9	35580-NAF-00	11- 5
13211-NAF-00	4- 5	15171-NAF-00	6- 5	25711-NAF-00	8- 10	35800-NAF-00	11- 6
13212-NAF-00	4- 6	15211-NAF-00	6- 6	25716-NAF-00	8- 11	35801-NAF-00	11- 7
13233-NAF-00	4- 7	15221-NAF-00	6- 7	25720-NAF-00	8- 12	35811-NAF-00	11- 8
13240-NAF-00	4- 8	15228-NAF-00	6- 8	25721-NAF-00	8- 13	35831-NAF-00	11- 9
13241-NAF-00	4- 9	15311-NAF-00	6- 9	26723-NAF-00	8- 14	41110-PAF-00	12- 2

31615-NAF-01 10-3

NUMERICAL INDEX 部品番號索引

PART NO. 部品番號	REF NO. 項次	PART NO. 部品番號	REF NO. 項次	PART NO. 部品番號	REF NO. 項次	PART NO. 部品番號	REF NO. 項次
41410-PAF-00	12- 3	42560-NDF-00	25- 3	46241-NHF-00	19- 2	53422-PAF-00	12- 7
42100-NDF-00	13- 1	42570-NAF-00	25- 4	46411-NAF-00	13- 28	53431-PAF-00	12- 8
42101-NDF-00	13- 2	42570-NAF-00	26- 7	46412-NAF-00	13- 29	53441-PAF-00	12- 9
42102-NAF-00	13- 3	42580-NDF-00	25- 5	46414-NAF-00	13- 30	53481-PAF-00	15- 11
42103-NAF-00	13- 4	42590-NDF-00	25- 6	46415-NAF-01	13- 31	53483-PAF-00	15- 12
42110-NAF-00	13- 5	42800-NDF-00	26- 8	46416-NAF-00	13- 32	55213-PAF-00	21- 2
42111-NAF-00	13- 6	42880-NDF-00	26- 9	51121-PAF-00	15- 1	55215-PAF-00	21- 3
42119-NAF-00	13- 7	42890-NDF-00	26- 10	51151-PAF-00	14- 1	55300-PAF-00	23- 1
42120-NAF-00	13- 8	43102-PAF-00	18- 1	51171-PAF-00	15- 2	55313-PAF-00	23- 2
42126-NAF-00	13- 9	43110-PAF-00	18- 2	51552-PDF-00	13- 33	55314-PAF-00	23- 3
42129-NAF-00	13- 10	43500-PAF-00	18- 3	51712-PAF-00	15- 3	55320-PAF-00	23- 4
42136-NAF-00	13- 11	43570-NAF-00	18- 4	51722-PAF-00	15- 4	55340-PAF-00	23- 5
42141-NAF-00	13- 12	43751-NAF-00	18- 5	51732-PAF-00	15- 5	55350-PAF-00	21- 4
42142-NAF-00	13- 13	43771-NAF-01	18- 6	51742-PAF-00	15- 6	55351-PAF-00	21- 5
42143-NAF-00	13- 14	45801-NAF-00	25- 7	51752-PAF-00	15- 7	55352-PAF-00	21- 6
42145-NAF-00	13- 15	45815-NAF-00	25- 8	52705-PAF-00	12- 4	55352-PAF-00	24- 1
42147-NAF-00	13- 16	45816-NAF-00	25- 9	52710-PAF-00	12- 5	55356-PAF-00	21- 7
42151-NAF-00	13- 17	45818-NAF-00	25- 10	52721-PAF-00	15- 8	55360-PAF-00	21- 8
42153-NAF-00	13- 18	45819-NAF-00	25- 11	52726-PAF-00	17- 1	55361-PAF-00	21- 9
42154-NAF-00	13- 19	45827-NAF-00	25- 12	52730-PAF-00	17- 2	55366-PAF-00	21- 10
42156-NAF-00	13- 20	45831-NAF-00	25- 13	52829-PAF-00	15- 9	55510-PAF-00	22- 1
42157-NAF-00	13- 21	45870-NAF-00	20- 1	52830-PAF-00	17- 3	55517-PAF-00	22- 2
42158-NAF-00	13- 22	45872-NAF-00	20- 2	52850-PAF-00	15- 10	55530-PAF-00	22- 3
42171-NAF-00	13- 23	45873-NAF-00	20- 3	53311-PAF-00	14- 2	55700-PAF-00	24- 2
42173-NAF-00	13- 24	45877-NAF-00	20- 4	53313-PAF-00	14- 3	55701-PAF-00	24- 3
42183-NAF-00	13- 25	45878-NAF-00	20- 5	53316-PAF-00	14- 4	55711-NCF-00	21- 11
42191-NAF-00	13- 26	45879-NAF-00	20- 6	53382-PAF-00	14- 5	55711-NCF-00	24- 4
42192-NAF-00	13- 27	45890-NAF-00	20- 7	53385-PAF-00	14- 6	55713-PAF-00	24- 5
42500-NDF-00	25- 1	46110-PAF-00	21- 1	53392-PAF-00	14- 7	55714-PAF-00	24- 6
42515-NDF-00	25- 2	46240-NHF-00	19- 1	53412-PAF-00	12- 6	55715-PAF-00	24- 7



NUMERICAL INDEX 部品番號索引

PART NO. 部品番號	REF NO. 項 次	PART NO. 部品番號	REF NO. 項 次	PART NO. 部品番號	REF NO. 項 次	PART NO. 部品番號	REF NO. 項 次
55721-PAF-00	24- 8	61668-NAF-00	19- 13	90260-13325	5- 14	93320-204714	2- 12
55722-NCF-00	24- 9	61820-PAF-00	20- 8	90310-20050	3- 8	93510-051033	2- 13
55743-PAF-00	24- 10	62100-NAF-00	15- 13	90310-42071	18- 11	93510-060820	12- 12
55750-PAF-00	24- 11	62111-NAF-00	15- 14	90310-50090	3- 9	93510-081217	15- 15
55751-PAF-00	24- 12	62210-NAF-01	1- 10	90310-50101	18- 12	93510-101720	25- 16
55753-PAF-00	24- 13	62310-NAF-00	27- 4	90310-50103	18- 13	93510-131838	8- 21
55756-PAF-00	24- 14	62320-NAF-00	27- 5	90311-50070	6- 13	93510-152012	2- 14
55757-PAF-00	24- 15	62322-NAF-00	27- 6	93110-17285	9- 4	93510-152030	7- 16
55758-PAF-00	24- 16	62350-NAF-01	22- 5	93110-17357	25- 14	93510-182322	8- 22
55760-PAF-00	24- 17	62360-NAF-00	27- 7	93110-19265	11- 10	93560-68509	1- 11
55766-PAF-00	24- 18	62370-NAF-00	27- 8	93110-20306	2- 8	93560-68510	1- 12
55767-PAF-00	24- 19	62500-PAF-00	27- 9	93110-20428	2- 9	93560-68510	5- 15
56100-NAF-00	17- 4	62501-PAF-00	27- 10	93110-24407	9- 5	93580-41810	1- 13
56280-NHF-00	19- 3	62511-NAF-00	27- 11	93110-33394	8- 19	93580-41836	12- 13
56290-NHF-00	19- 4	62540-NAF-00	27- 12	93210-16195	3- 10	93580-61507	23- 6
61120-PAF-00	27- 1	62550-PAF-00	27- 13	93210-19070	26- 11	93580-62614	16- 6
61135-NAF-00	13- 22	62570-NAF-00	27- 14	93210-19230	11- 11	93580-81610	1- 14
61135-NAF-00	27- 2	62720-NAF-00	18- 7	93210-20360	8- 20	93580-81610	5- 16
61151-NAF-00	27- 3	62770-PAF-00	18- 8	93210-24140	6- 14	94410-10014	6- 16
61220-PAF-00	12- 10	62773-NAF-00	18- 9	93210-24163	13- 23	94410-12016	6- 17
61320-NAF-00	19- 5	62910-NAF-00	19- 14	93310-0812100	7- 14	94420-03013	2- 15
61379-NAF-00	19- 6	62912-NAF-00	19- 15	93310-1014125	2- 10	94430-30012	3- 11
61389-NAF-00	19- 7	62920-NAF-00	19- 16	93310-1622118	2- 11	94510-30012	3- 12
61393-NAF-00	16- 4	62980-NAF-00	19- 17	93310-5559127	7- 15	94510-80032	7- 17
61520-PAF-00	22- 4	90210-06005	3- 6	93320-103009	9- 6	94520-0635S	12- 14
61611-NAF-00	19- 8	90210-08009	3- 7	93320-103511Z	25- 15	94610-06032-B	12- 15
61612-NAF-00	19- 9	90210-12010	18- 10	93320-153511	9- 7	94610-10090-K	16- 7
61613-NAF-00	19- 10	90210-20043	5- 13	93320-173510U	6- 15	94610-10200-C	25- 17
61620-NAF-00	19- 11	90230-12010	16- 5	93320-174012	9- 8	94610-12280-C	12- 16
61660-NAF-00	19- 12	90240-18012	12- 11	93320-174012U	9- 9	94706-06065-C	17- 5

NUMERICAL INDEX 部品番號索引

94710-06020-K  
5-17

PART NO. 部品番號	REF NO. 項次	PART NO. 部品番號	REF NO. 項次	PART NO. 部品番號	REF NO. 項次	PART NO. 部品番號	REF NO. 項次
94706-10020-C	25- 18	95401-101409-C	26- 13	96310-04012-C	4- 20	96414-06012-C	18- 16
94710-05025-K	19- 18	95601-254007-C	13- 24	96310-04062	23- 9	96414-06012-C	27- 18
94710-06030-K	20- 9	96104-51016-C	7- 18	96310-05010-K	19- 20	96414-06016-C	17- 7
94710-08046-C	16- 8	96110-32024-K	21- 14	96310-05012-C	27- 15	96414-06030-K	15- 23
94710-10040-C	12- 17	96110-32024-K	24- 22	96310-05014-C	3- 13	96414-08012-C	12- 23
94712-04012-K	20- 10	96110-51016-C	15- 17	96310-05025-K	19- 21	96414-08016-C	6- 19
94714-06018-C	10- 5	96110-52512-K	5- 18	96310-05030-C	19- 22	96414-08020-K	10- 7
94716-10022-G	20- 11	96110-64016-C	1- 17	96310-05035-K	19- 23	96414-08030-K	10- 8
94717-07109-C	1- 15	96112-41618-K	14- 9	96310-06010-C	11- 14	96414-08032-C	12- 24
95101-05012	14- 8	96112-41618-K	21- 15	96310-06012-C	6- 18	96414-08034-C	25- 21
95101-05012	15- 16	96112-41618-K	22- 6	96310-06012-C	7- 20	96414-08050-K	15- 24
95101-05012	21- 12	96112-43818-B	24- 23	96310-06016-C	11- 15	96414-10030-B	13- 26
95101-05012	23- 7	96112-51216-K	14- 10	96310-06016-C	27- 16	96414-10047-C	21- 18
95201-050804-C	24- 20	96112-51216-K	15- 18	96310-06016-K	14- 12	96510-06020-K	11- 18
95201-101408-C	11- 12	96112-51612-C	22- 7	96310-06025-C	11- 16	96510-06020-K	5- 21
95201-101708-C	8- 23	96112-51612-C	23- 8	96312-04008-C	4- 21	96510-06020-K	6- 20
95201-102406-C	8- 24	96112-51616-K	14- 11	96312-04012-C	11- 17	96510-06025-K	20- 13
95201-284004-C	8- 25	96210-06025-K	7- 19	96312-04012-C	4- 22	96510-06030-K	6- 21
95311-050805-K	19- 19	96210-06027-C	26- 14	96312-06016-C	14- 13	96510-06035-K	6- 22
95311-081308-C	16- 9	96210-10040-C	12- 20	96312-06016-C	15- 21	96510-06045-K	6- 23
95311-101710-C	12- 18	96218-05012-C	12- 21	96312-06016-C	24- 24	96510-08027-C	13- 27
95311-101710-C	21- 13	96218-05012-C	18- 14	96312-06020-C	27- 17	97010-15010	7- 21
95311-101710-C	25- 19	96218-05012-C	21- 16	96312-06020-K	1- 18	97010-17010	6- 24
95311-121912-C	12- 19	96218-05016-K	15- 19	96312-06020-K	5- 20	97010-19012	3- 14
95311-142214-C	26- 12	96218-05016-K	21- 17	96314-06016-C	1- 19	97011-07008	3- 15
95401-061006-C	17- 6	96218-06016-C	18- 15	96316-06010-B	10- 6	97050-10012	2- 16
95401-061006-C	24- 21	96218-06020-C	15- 20	96316-06021-C	14- 14	97201-051208-C	19- 24
95401-061006-K	20- 12	96310-03006-C	4- 19	96411-06010-C	15- 22	97201-051208-C	23- 10
95401-071007-C	1- 16	96310-03008-B	5- 19	96414-06012-C	12- 22	97201-051208-C	24- 25
95401-101409-C	25- 20	96310-04006-C	11- 13	96414-06012-C	13- 25	97201-081620-C	7- 22



NUMERICAL INDEX 部品番號索引

PART NO. 部品番號	REF NO. 項次	PART NO. 部品番號	REF NO. 項次	PART NO. 部品番號	REF NO. 項次	PART NO. 部品番號	REF NO. 項次
97201-101726-C	11- 19						
97201-102020-C	16- 10						
97201-102020-C	21- 19						
97201-131810	8- 26						
97201-142620-C	26- 15						
97201-142910	9- 10						
97201-152810-K	7- 23						
97201-557606	7- 24						
97210-061215	10- 4						
97230-081312	13- 28						
97230-081512	6- 25						
97230-101512	20- 14						
97301-030507-B	5- 22						
97301-040710-C	11- 20						
97310-102425	8- 27						
97310-142803	9- 11						
97501-02021	7- 25						
97501-08103	3- 16						
97501-10045	20- 15						
97501-10060	23- 11						
97501-12051	12- 25						
97501-30114	12- 26						
97506-12082	16- 11						
97506-14081	16- 12						
97506-20121	16- 13						
97506-32131	16- 14						
97508-24192	26- 16						
97508-32535	7- 26						
97510-26300	7- 27						

Motorroller.de  
- seit 1993 -