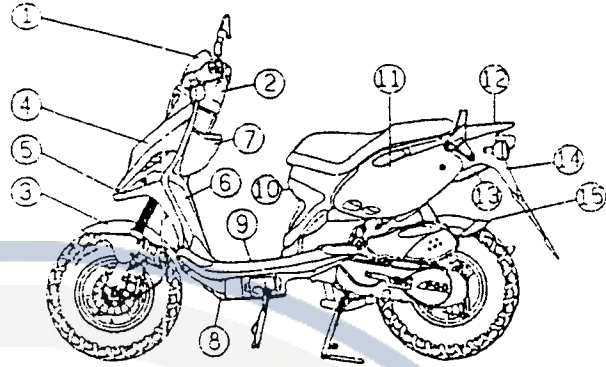


- (1)Cover, Upper
- (2)Cover, Lower
- (3)Front Fender
- (4)Wind Shield
- (5)FR. Cover, Lower
- (6)FRT Inner Cover, VIN Cover
- (7)FRT Luggage
- (8)Step Cover Low
- (9)Step Floor, Battery Cover
- (10)FRT Body Cover Center Cover
- (11)LH, RH, Body Cover
- (12)Rear Cover
- (13)Step Floor Cover Lower
- (14)Licence Plate, Lower Fender
- (15)Rear Fender



PARTS NUMBERS FOR THE OUTLOOK PAINTED PARTS (ABS PARTS)

N O	BASIC COLOR		銀黑	桂冠綠	晶鑽銀
	CODE		SILVER BLACK	GREEN	CRYSTAL SILVER
PART NAME		BASIC PART NO.	63	3B	7J
1	COVER, UPPER (1)	P2613001000	P2613001630 Silver Black	P26130013B0 Green	P26130017J0 Crystal Silver
2	FRONT FENDER (3)	P26320000001	P26210006301 Silver Black	P26210003B01 Green	P26210007J01 Crystal Silver
3	WINDSHIELD (4)	P2621000000	P2621000630 Silver Black	P26210003B0 Green	P26210007J0 Crystal Silver
4	LH BODY COVER (11)	P2625301000	P2625301630 Silver Black	P26253013B0 Green	P26253017J0 Crystal Silver
5	RH BODY COVER (11)	P2625500000	P2625500630 Silver Black	P26255003B0 Green	P26255007J0 Crystal Silver
6	REAR COVER (12)	P2625700000	P2625700630 Silver Black	P26257003B0 Green	P26257007J0 Crystal Silver

N O	BASIC COLOR		深銀紅	藍藍	雪白
	CODE		RED	BLUE	WHITE
PART NAME		BASIC PART NO.	13	4L	71
1	COVER, UPPER (1)	P2613001000	P2613001130 Red	P26130014L0 Blue	P2613001710 White
2	FRONT FENDER (3)	P26320000001	P26210001301 Red	P26210004L01 Blue	P26210007101 White
3	WINDSHIELD (4)	P2621000000	P2621000130 Red	P26210004L0 Blue	P2621000710 White
4	LH BODY COVER (11)	P2625301000	P2625301130 Red	P26253014L0 Blue	P2625301710 White
5	RH BODY COVER (11)	P2625500000	P2625500130 Red	P26255004L0 Blue	P2625500710 White
6	REAR COVER (12)	P2625700000	P2625700130 Red	P26257004L0 Blue	P2625700710 White

PARTS NUMBERS FOR THE OUTLOOK (P.P. PARTS) COLOR CODE: 66(GRAY) , 65(BLACK)

1	COVER, LOWER (2)	P2614002000 66(GY),65(BL)
2	REAR FENDER (15)	P2634000000 66(GY),65(BL)
3	FRT INNER COVER (6)	P2623000000 66(GY),65(BL)
4	STEP FLOOR (9)	P2624000000 66(GY),65(BL)
5	STEP FLOOR COVER (13)	P2625021000 66(GY),65(BL)
6	LOWER FENDER LOWER (14)	P2635000000 66(GY),65(BL)
7	FR. COVER, LOWER (5)	P2626010000 66(GY),65(BL)

8	FRT LUGGAGE (7)	P2622000000 66(GY),65(BL)
9	STEP COVER LOW (8)	P2626000000 66(GY),65(BL)
10	FR BODY COVER (10)	P2625040000 66(GY),65(BL)
11	CENTER COVER (10)	P2625010000 66(GY),65(BL)
12	LICENCE PLATE (14)	P2636001000 66(GY),65(BL)
13	BATTERY COVER (9)	P2624030000 66(GY),65(BL)
14	VIN COVER (6)	P1623010000 66(GY),65(BL)

REMARK: The 9 and 10 digit are the color Code. Please replace those 2 digit with The color code.

FOR INSTANCE: P2624000650 IT'S MEAN THE STEP FLOOR' COLOR IS BLACK.

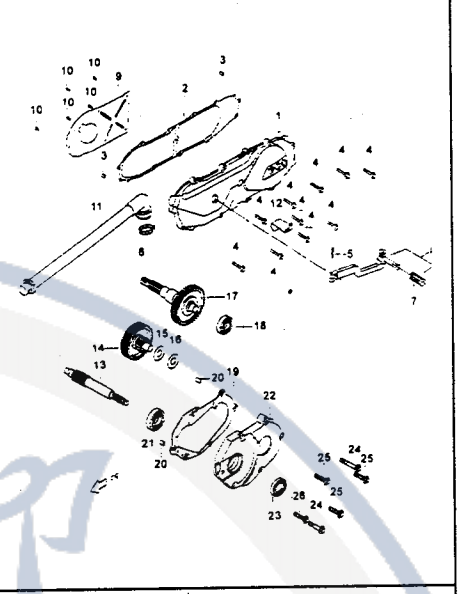
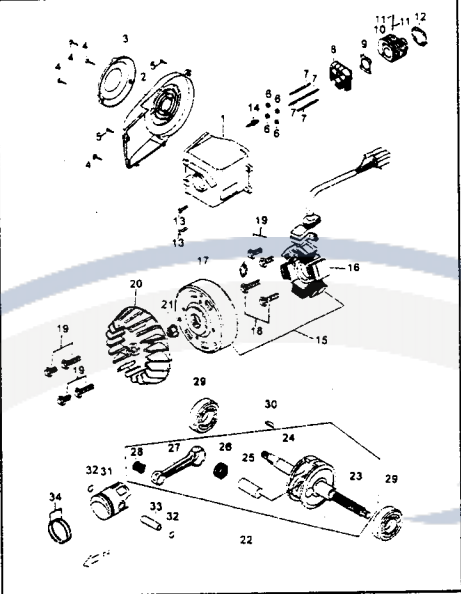
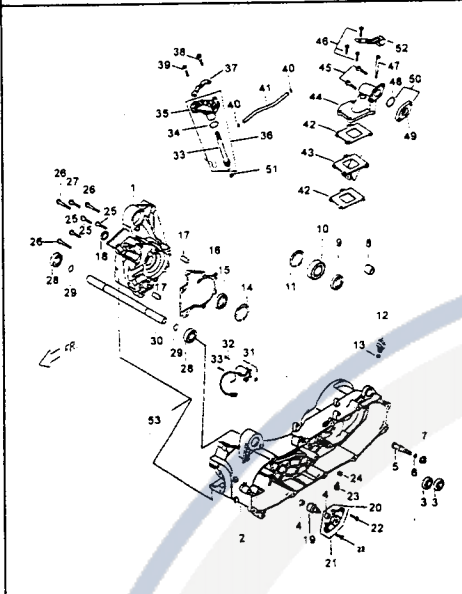


Motorroller.de
- seit 1993 -

1 PMS 50 ENGINE -1-
CRANK CASE & OIL PUMP

2 PMS 50 ENGINE -5-
FAN, CYLINDER/PISTON, CRANKSHAFT & GENERATOR

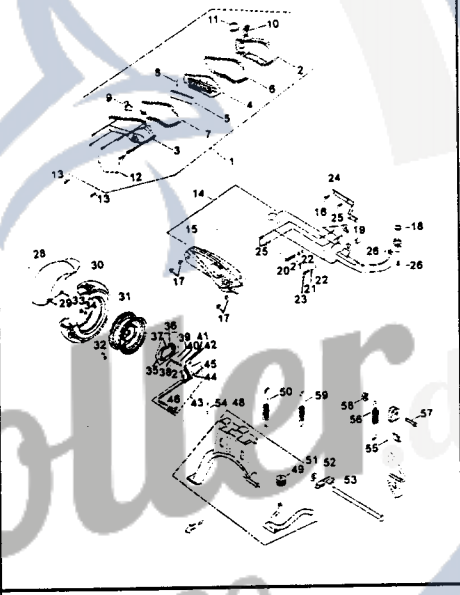
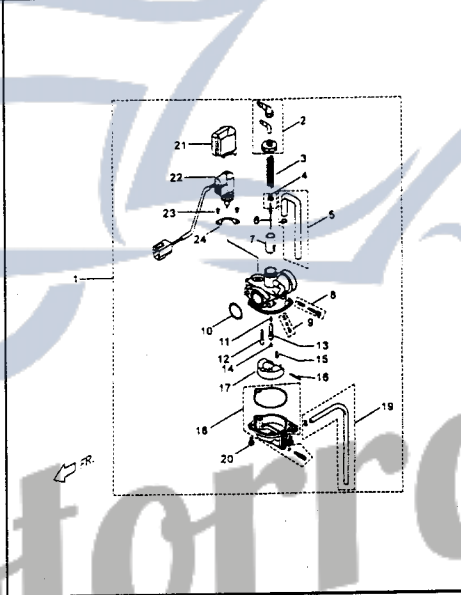
3 PMS 50 ENGINE -7-
LH SIDE COVER & TRANSMISSION



4 PMS 50 ENGINE -9-
BELT, PULLEY COMP, DRIVING FACE & DRIVEN FACE

5 PMS 50 ENGINE -11-
CARBURETOR

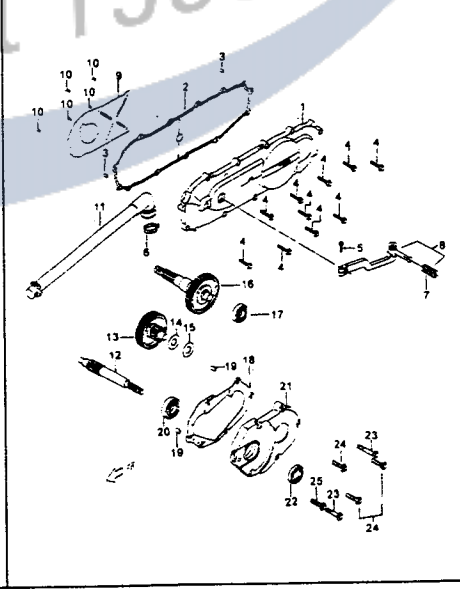
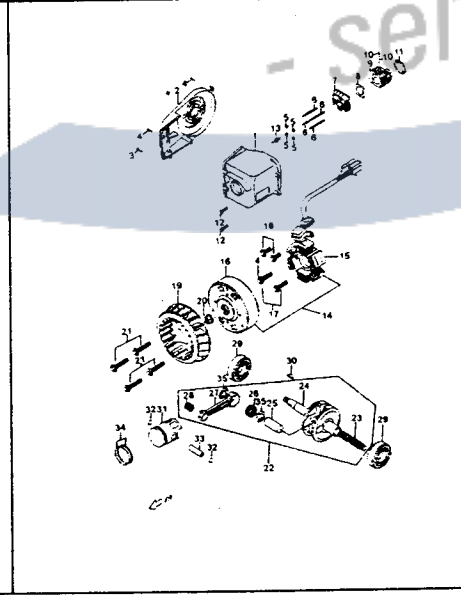
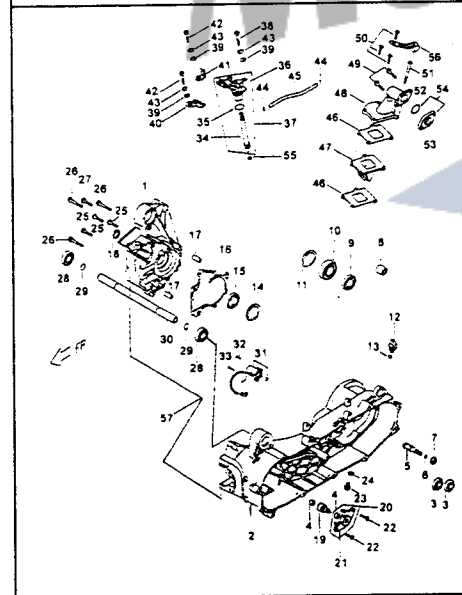
6 PMS 50 ENGINE -13-
AIR CLEANER, MUFFLER REAR WHEEL & STANDS



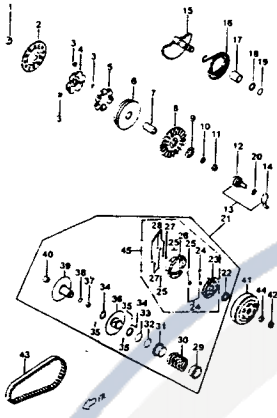
7 PMS 110 ENGINE -17-
CRANK CASE & OIL PUMP

8 PMS 110 ENGINE -21-
FAN, CYLINDER/PISTON, CRANKSHAFT & GENERATOR

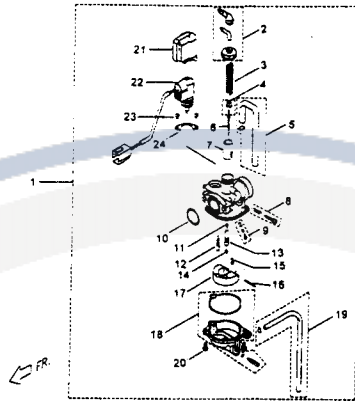
9 PMS 110 ENGINE -23-
LH SIDE COVER & TRANSMISSION



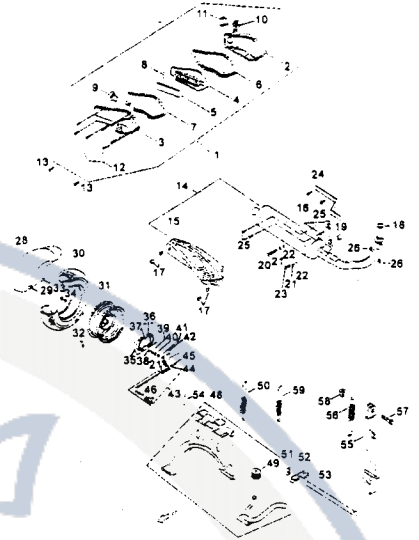
10 PMS 110 ENGINE -25-
BELT, PULLEY COMP, DRIVING FACE & DRIVEN FACE



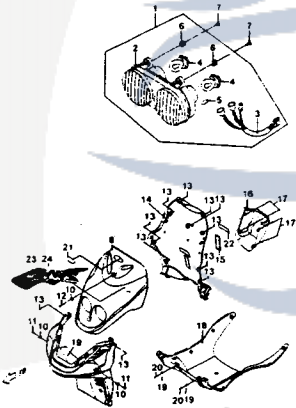
11 PMS 110 ENGINE -27-
CARBURETOR



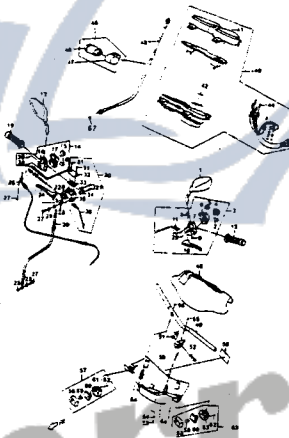
12 PMS 110 ENGINE -29-
AIR CLEANER, MUFFLER, REAR WHEEL & STANDS



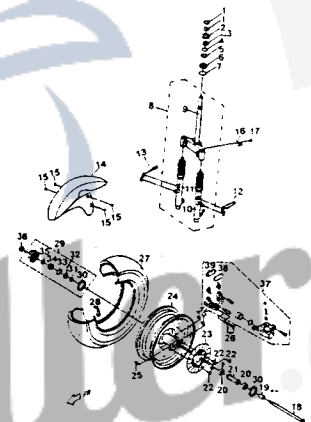
13 PMS 50/110 FRAME -33-
HEAD LAMP, FRONT WINDSHIELD, LOWER COVER



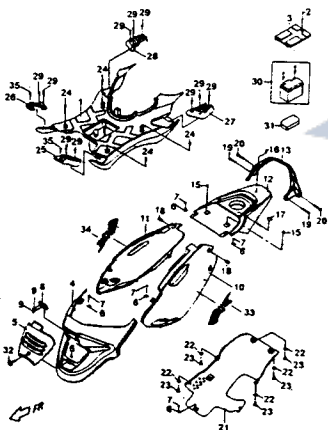
14 PMS 50/110 FRAME -35-
SPEEDOMETER, HANDLE BAR & FRT SIGNAL LAMP



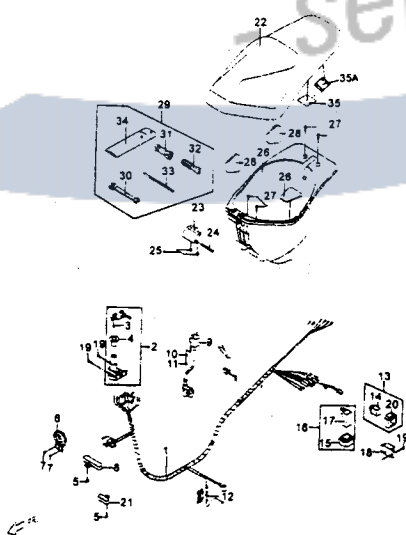
15 PMS 50/110 FRAME -39-
FRT FORK & FRT WHEEL



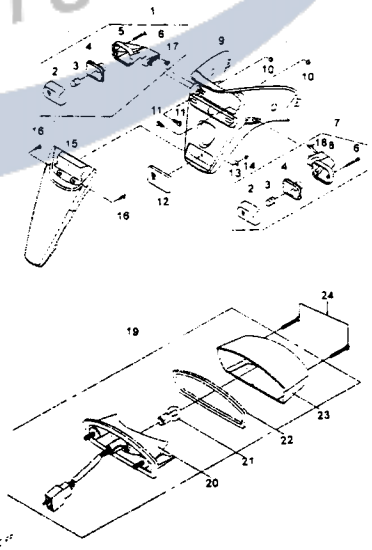
16 PMS 50/110 FRAME -41-
STEP FLOOR, BODY COVER,



17 PMS 50/110 FRAME -43-
SEAT, LUGGAGE, WIRE HARNESS



18 PMS 50/110 FRAME -45-
LICENSE PLATE & TAIL LAMP

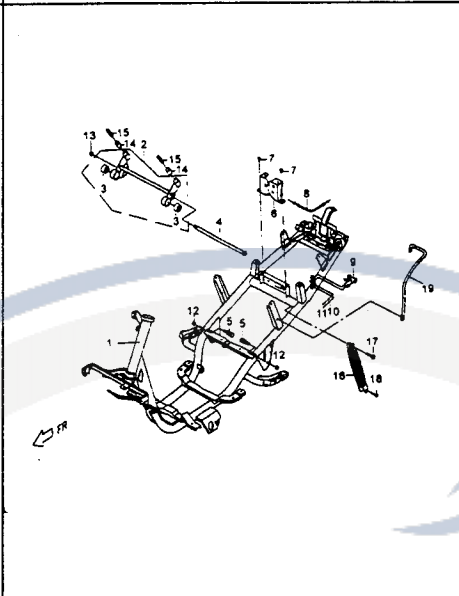
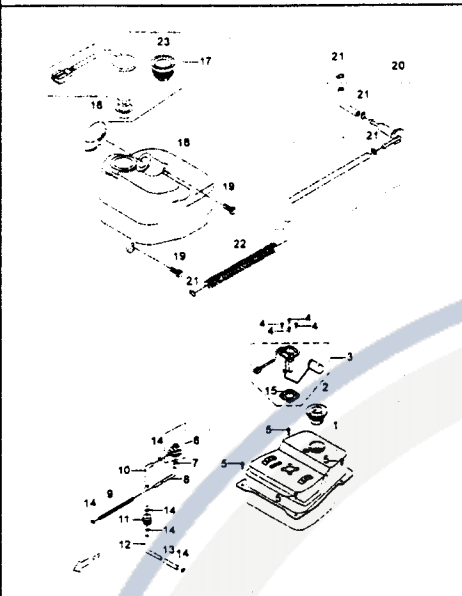


19 PMS 50/110 FRAME
OIL TANK & FUEL TANK

-47-

20 PMS 50/110 FRAME
FRAME

-49-

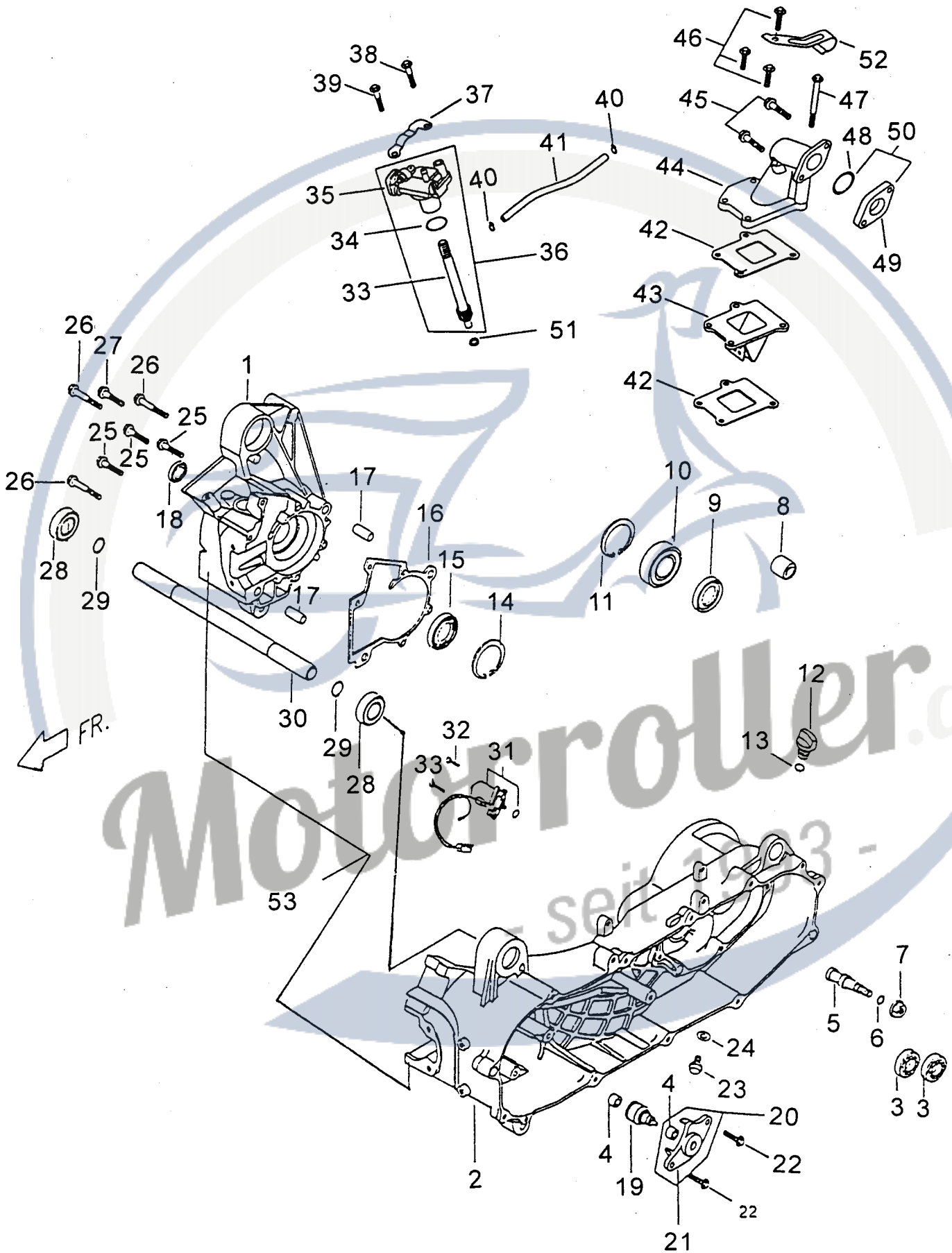


Motorroller.de
- seit 1993 -

PMS 50 ENGINE

1

CRANK CASE & OIL PUMP



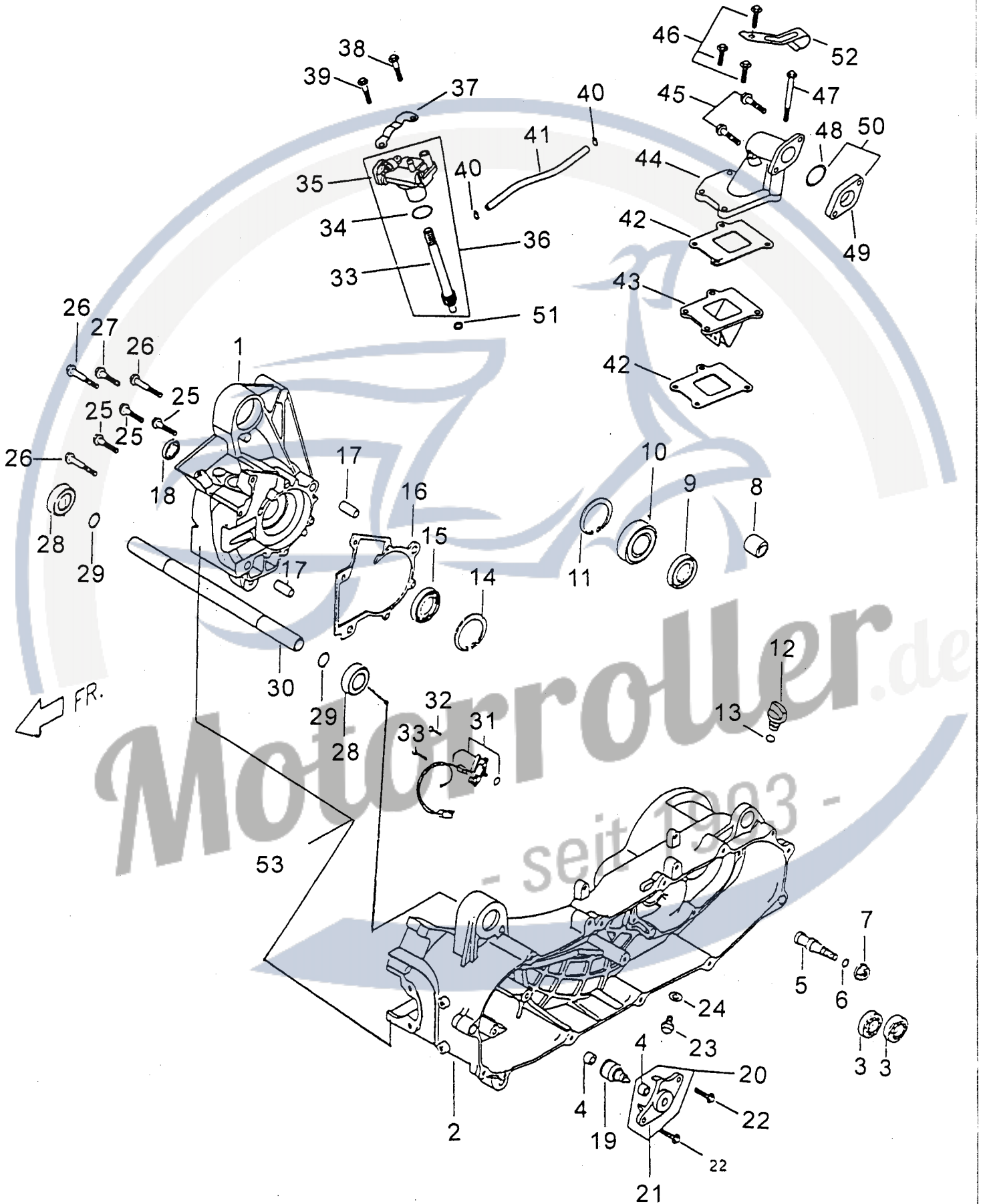
Item	Part No.	QTY	Part Name	Remark
1	P1061010000	1	Rh Crankcase	
2	P1062010000	1	Lh Crankcase	
3	96510620000	2	Ball Bearing	
4	E1062130000	2	Bush	Δ
5	P1407430000	1	Pivot, Rear Brake Shoe	
6	95510800000	1	O Ring	
7	92040800000	1	Hexagon Flange Nut	
8	P1062020000	1	Rubber Bush	
9	95572540700	1	Oil Seal TC Type	
10	96530620400	1	Ball Bearing, Double Sealed	
11	92164700000	1	Retaining Ring C Type	
12	P1062150000	1	Oil Bolt	
13	95511300001	1	O Ring	
14	92163800000	1	Retaining Ring C Type	
15	95572038700	1	Oil Seal TC Type	
16	P1061040000	1	Crankcase Gasket	
17	93541002300	2	Lock Pin	
18	95571525700	1	Oil Seal TC Type	
19	E1242000000	1	Idle Gear Comp, Starter	
20	P1242111000	1	Fixed Plate Starter Comp.	
21	P1242100000	1	Fixing Plate	Δ
22	90180602000	2	Hexagon Flange Bolt	
23	90190801200	1	Hexagon Flange Bolt	
24	92140800001	1	Washer	
25	90190604500	3	Hexagon Flange Bolt	
26	90190606000	3	Hexagon Flange Bolt	
27	90190602700	1	Hexagon Flange Bolt	
28	96530600300	2	Ball Bearing, Double Sealed	
29	92171700000	2	Retaining Ring C Type	
30	P1486020000	1	Engine Hanger Shaft	
31	E1241000000	1	Motor Comp, Starter	
32	90180602000	2	Hexagon Flange Bolt	
33	P10811000000	1	Driving Shaft, Oil Pump	
34	95512000001	1	O Ring	Δ
35	P10810110000	1	Oil Pump Comp,	Δ
36	P10810010000	1	Oil Pump Assy	
37	P10812100000	1	Oil Pump Plate	
38	90190603500	1	Hexagon Flange Bolt	
39	90190601201	1	Hexagon Flange Bolt	
40	93550500800	2	Spring Pin	
41	P1081301000	1	Rubber Tube	
42	P1261020000	2	Gasket, Reed Valve	

“Δ” means NOT available to supply.

PMS 50 ENGINE

1

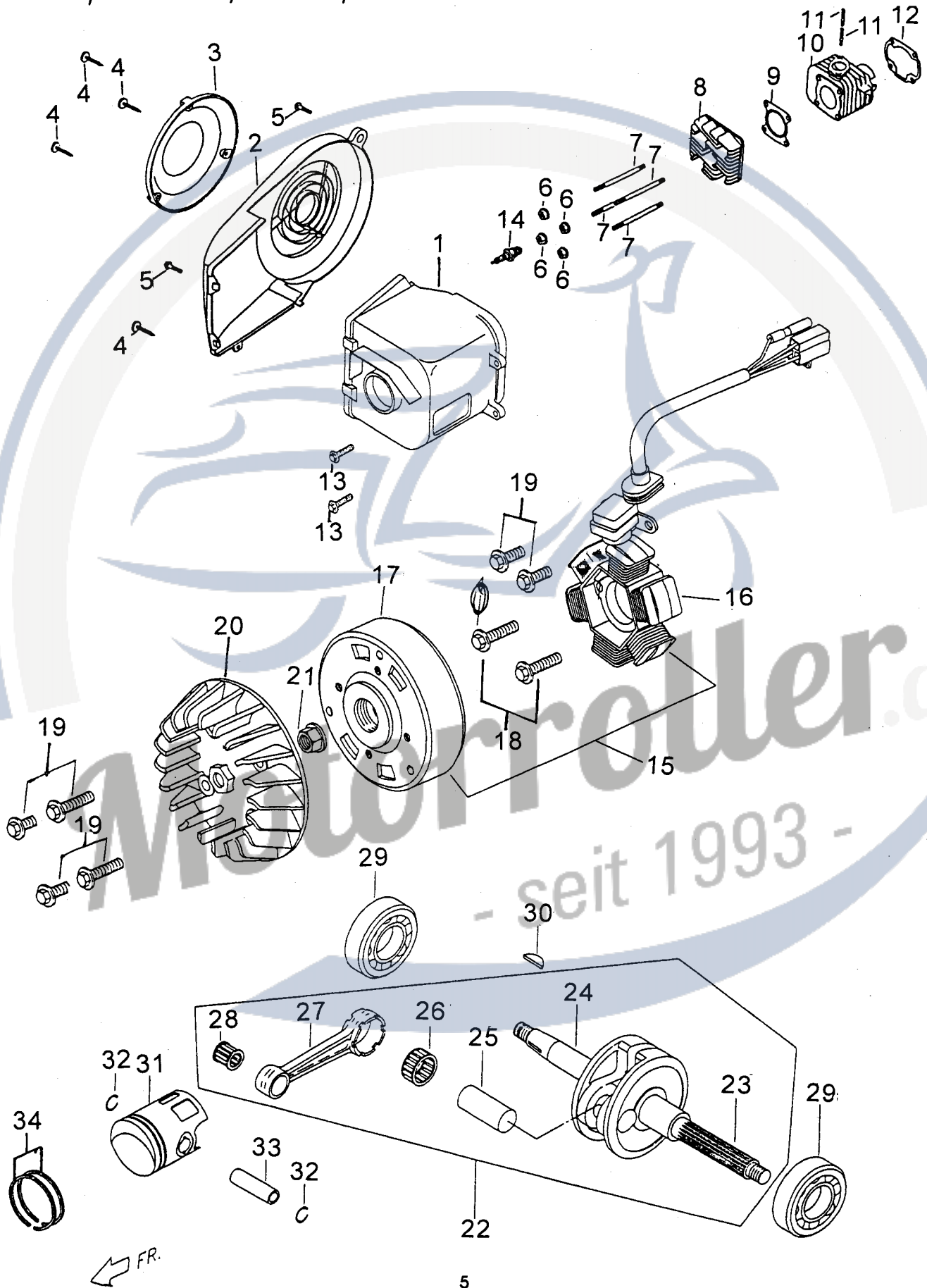
CRANK CASE & OIL PUMP



PMS 50 ENGINE

2

FAN, CYLINDER/PISTON, CRANKSHAFT & GENERATOR



Item	Part No.	QTY	Part Name	Remark
1	P1042102000	1	Cooling Hood	
1	P10421000001	1	Cooling Hood	For frigid zone
1~1	P1042110000	1	Cooling Hood Tube	For frigid zone
2	P1042001000	1	Fan Cover	
3	E1042200000	1	Fan Cover	
4	90110401200	4	Cr Pan Head Tapping Screw	
5	90180602000	2	Hexagon Flange Bolt	
6	92040700000	4	Hexagon Flange Nut	
6	92040700000	3	Hexagon Flange Nut	FOR PMS 30
6~1	92040800001	1	Hexagon Flange Nut	FOR PMS 30
7	P1061050000	4	Stud Bolt	
7	P1061050000	3	Stud Bolt	FOR PMS 30
7~1	P10610500001	1	Stud Bolt	FOR PMS 30
8	P1065010000	1	Cylinder Head	
8	P1065011000B	1	Cylinder Head	FOR PMS 30
9	P1065110000	1	Gasket, Cylinder Head	
10	P1064010000	1	Cylinder	
10	P10640100001	1	Cylinder	FOR PMS 30
11	90170602901	2	Stud Bolt	
12	P1064110000	1	Cylinder Gasket	
13	90190601201	2	Hexagon Flange Bolt	
14	E1222000000	1	Ignition Plug	BP7HS
14	P12220000002	1	Ignition Plug(NGK)	BPR7HS
15	P12210000002	1	AC Generator Assy	
15	P12210000003	1	AC Generator Assy	Taigen
16	P12210200003	1	Stator Comp	
17	P12210100003	1	Flywheel Comp	
18	90180602000	2	Hexagon Flange Bolt	
19	90190601201	6	Hexagon Flange Bolt	
20	P10430000000	1	Fan	
21	92041000000	1	Hexagon Flange Nut	
22	P10660000000	1	Crankshaft Comp	
23	P1066010000	1	Lh Crankshaft	△
24	P1066020000	1	Rh Crankshaft	△
25	P1066030000	1	Crank Pin	
26	96590162200	1	Bearing Cage	
27	P1066120000	1	Connecting Rod	
28	96601001400	1	Bearing Cage	
29	E1062100000	2	Ball Bearing	
30	93530302400	1	Woodruff Key	
31	P1067010000	1	Piston	
32	E1067150000	2	Clip, Piston Pin	
33	P1067110000	1	Piston Pin	
34	E10673100001	2	Piston Ring	

PMS 50 ENGINE

3

LH SIDE COVER & TRANSMISSION

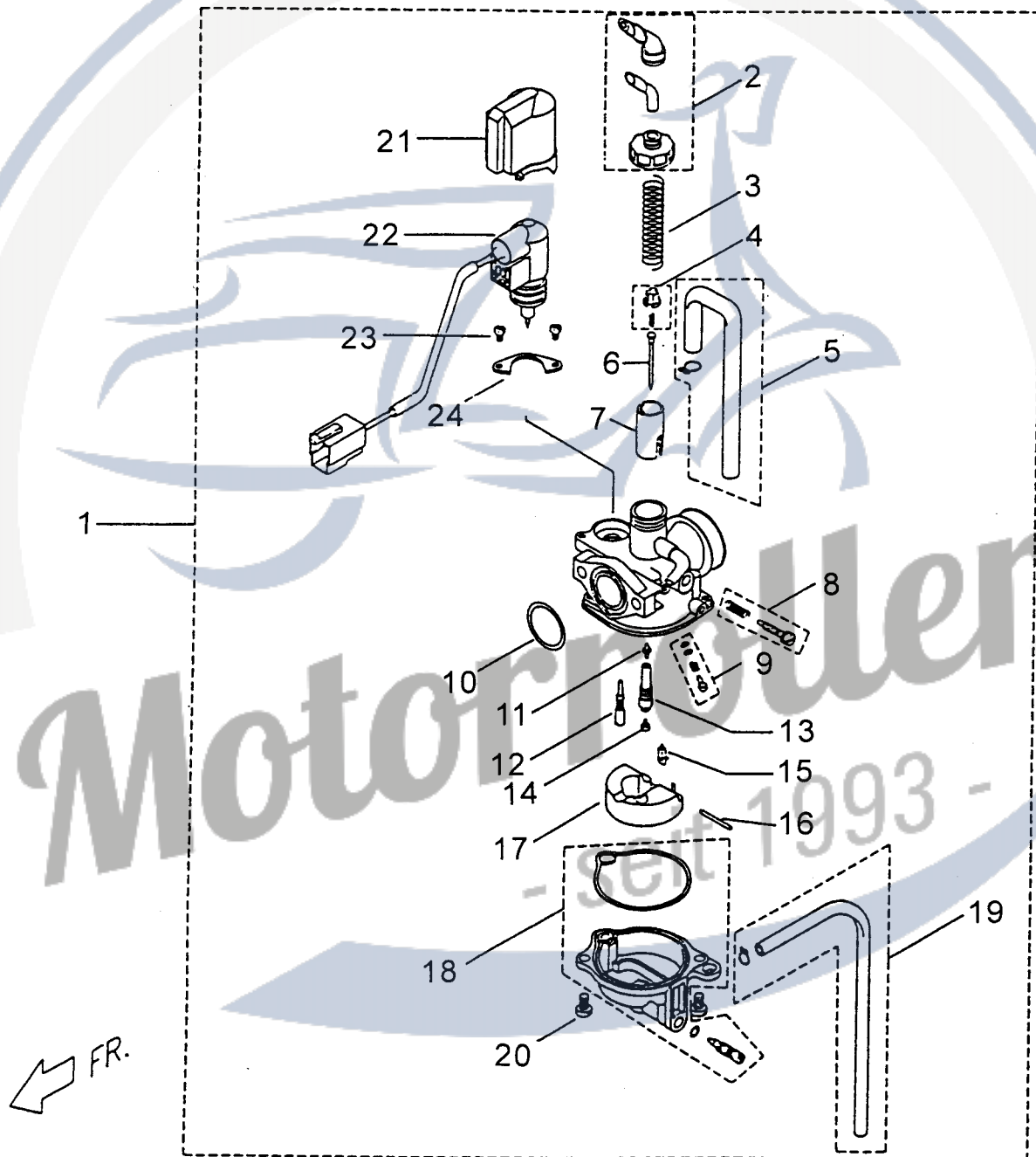


Item	Part No.	QTY	Part Name	Remark
1	P1242210000	1	Spacer	
2	P1242200000	1	Driven Gear, Starter	
3	P1121320000	3	Slide Piece	
4	P1121310000	1	Ramp Plate	
5	P1121200000	6	Weight Roller Comp (8.5g)	
5	P11212000001	6	Weight Roller Comp (7.5g)	FOR PMS 30
6	P1121101000	1	Driving Face Comp, Movable	
7	P1121050000	1	Boss, Movable Drive Face	
7~1	P11210800001	1	Bush	FOR PMS30
8	P1121060000	1	Drive Face	
9	P1251030000	1	Ratchet Kick Starter	
10	92141000001	1	Plain Washer	
11	92041000001	1	Hexagon Flange Nut	
12	E1251010000	1	Driven Gear Comp, Kick Start	
13	E1251000000	1	Driven Gear & Spring Comp	
14	E1251020000	1	Spring, Friction Starter Gear	
15	E1251101000	1	Spindle Comp, Kick Starter	
16	E2251110000	1	Torsion Spring	
17	E1251120000	1	Bush	
18	92141400000	1	Plain Washer	
19	92171400000	1	Retaining Ring C Type	
20	92141000000	1	Plain Washer	
21	P1123701000	1	Belt Pulley Comp, Driven Face	
21	P11237000001	1	Belt Pulley Comp, Driven Face	FOR PMS 30
21	P11237000002	1	Belt Pulley Comp, Driven Face	45km/hr
22	P1123410000	1	Nut	
23	P1123300000	1	Body Comp, Drive Plate	
24	P1123420000	3	Damper Rubber, Clutch	
25	P1123430000	3	Spring, Clutch	
26	P1123441000	3	Weight Set, Clutch	
27	92140600008	3	Plain Washer	
28	92180500000	3	Retaining Ring E Type	
29	P1123330000	1	Collar, Spring	
30	P1123520000	1	Spring, Driven Face	
31	P1123530000	1	Sealed Socket	
31	P11235300001	1	Sealed Socket	FOR PMS 30
31	P11235300002	1	Sealed Socket	45km/hr
32	95513600000	1	O Ring	
33	95514000001	1	O Ring	
34	95593439300	2	Oil Seal G Type	
35	P1123240000	3	Pin, Guide Roller	
36	P1123210000	1	Body Comp, Movable Driven Face	
37	96520690100	1	Deep Groove Ball Bear One Seal	
38	92162400000	1	Retaining Ring C Type	
39	P1123110000	1	Body Comp, Driven Face	
40	E1123140000	1	Needle Bearing	
41	P1123510000	1	Outer Body Comp, Clutch	
42	92041000000	1	Hexagon Flange Nut	
43	P1122000000	1	Belt	
44	92141000001	1	Plain Washer	

PMS 50 ENGINE

5

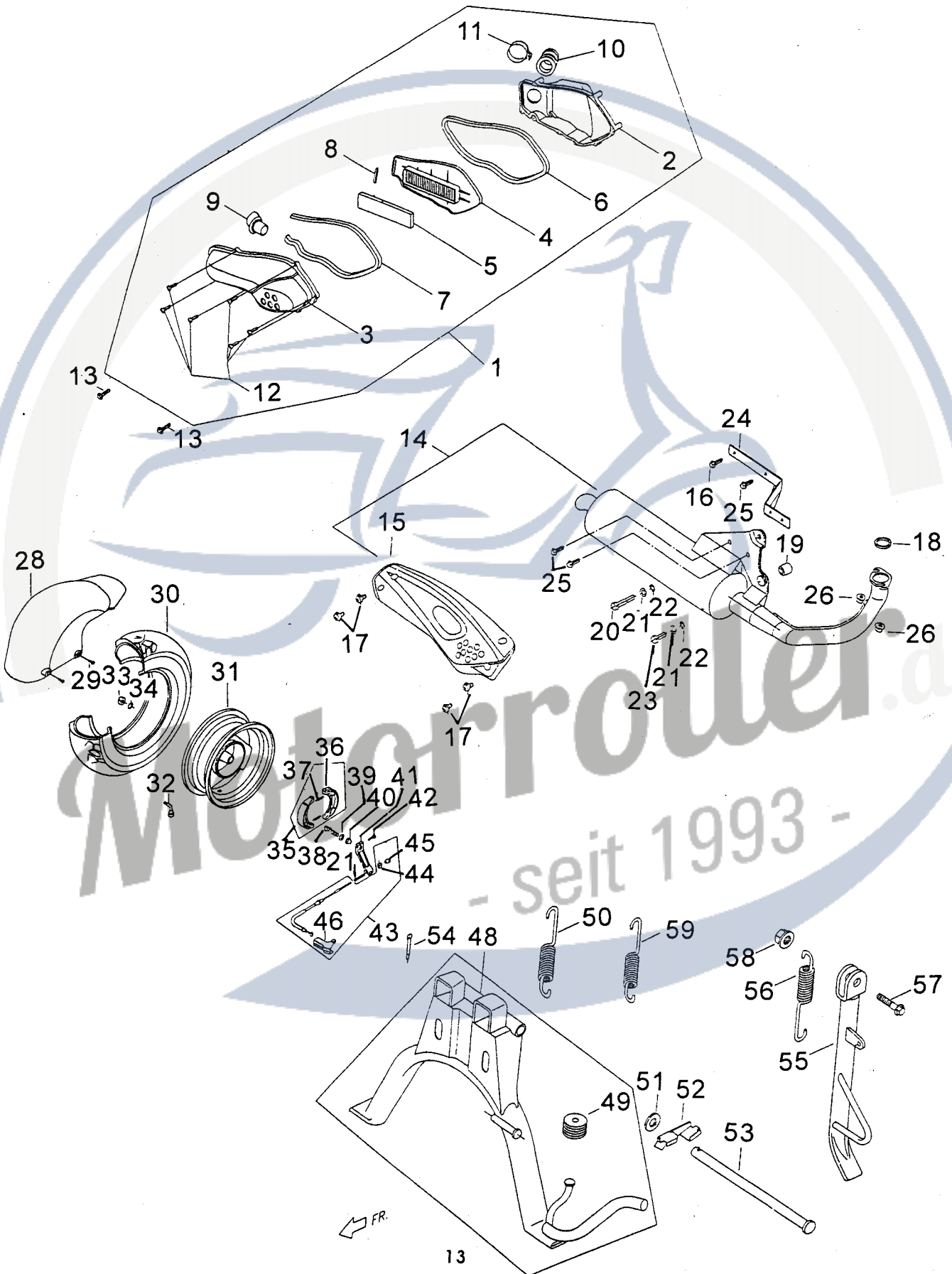
CARBURETOR



PMS 50 ENGINE

6

AIR CLEANER, MUFFLER, REAR WHEEL & STANDS

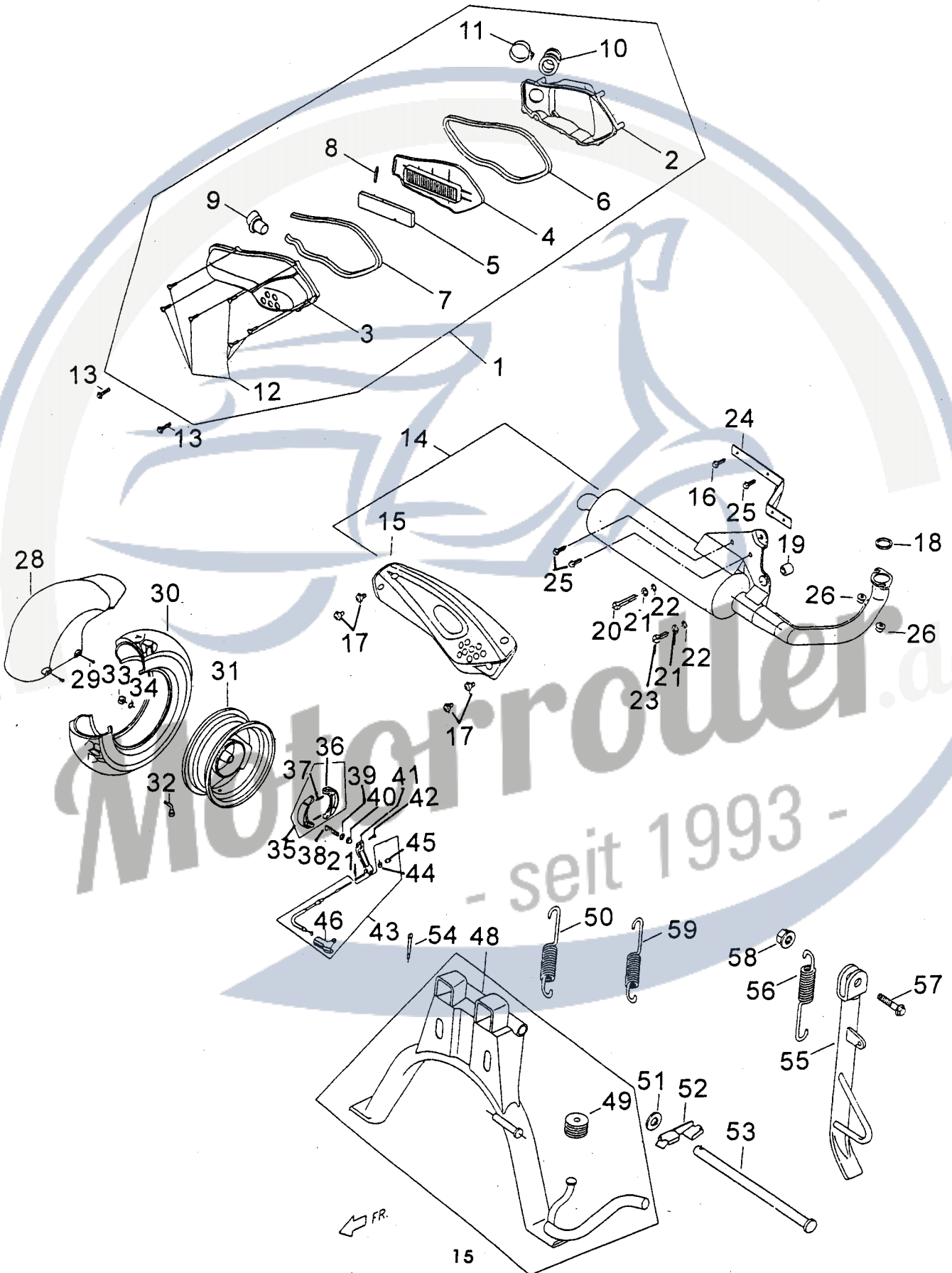


Item	Part No.	QTY	Part Name	Remark
1	P2262001000	1	Air Cleaner Comp (ø14)	
1	P12620000001	1	Air Cleaner Comp(ø12)	FOR PMS 30
1	P22620010001	1	Air Cleaner Comp(ø12)	EU
1-1	P2262120000	1	Air Intake Cover	FOR PMS 30
2	P2262010000	1	Body, Air Cleaner	Δ
3	P2262020000	1	Cover, Air Cleaner	Δ
4	P2262030000	1	Sponge, Air Cleaner	
5	P226B040000	1	Sponge	
6	P226B050000	1	Packing, Air Cleaner	
7	P226B060000	1	Packing, Air Cleaner	
8	P226B070000	1	Packing, Air Cleaner	
9	P2262060000	1	Air Hose	
10	P1262080000	1	Connecting Pipe, Air Cleaner	
11	P1262110000	1	Clamp	
12	90110502500	6	Screw, Cr Round Head	
13	90180602500	2	Hexagon Flange Bolt	
14	P2281003000	1	Muffler Assy (with catalyst)	Free Speed
14	P22810000001	1	Muffler Assy (without catalyst)	Free Speed
14	P22810000002	1	Muffler Assy	FOR FRANCE
14	P22810000006	1	Muffler Assy	FOR PMS 30
14	P22810000008	1	Muffler Assy	EU
15	P22810107G0	1	Heat Protector	
16	90190602000	1	Hexagon Flange Bolt	
17	90040601000	4	Cr Pan Head Machine	
18	E9281020000	1	Gasket, Muffler	
19	E1062020000	1	Damper Bush	
20	90020802500	1	Hexagon Bolt	
21	92110800000	2	Spring Washer	
22	92140800000	2	Plain Washer	
23	90020803800	1	Hexagon Bolt	
24	P2634020000	1	Support Rear Fender	
25	90190601200	3	Hexagon Flange Bolt	
26	92040600000	2	Hexagon Flange Nut	
27	P928A060000	1	Heat Protector Liner	
28	P2634000650	1	Rear Fender	Black
29	90180602000	2	Hexagon Flange Bolt	
30	P04073000001	1	Tire (On Road)	130/70-12
30	P94073000002	1	Tire (Off Road)	130/70-12
30	C540G320000	1	Tire (MAXXIS)	130/70-12
30	P14073000001	1	Tire (On Road 130/90-10")	For FRANCE

PMS 50 ENGINE

6

AIR CLEANER, MUFFLER, REAR WHEEL & STANDS

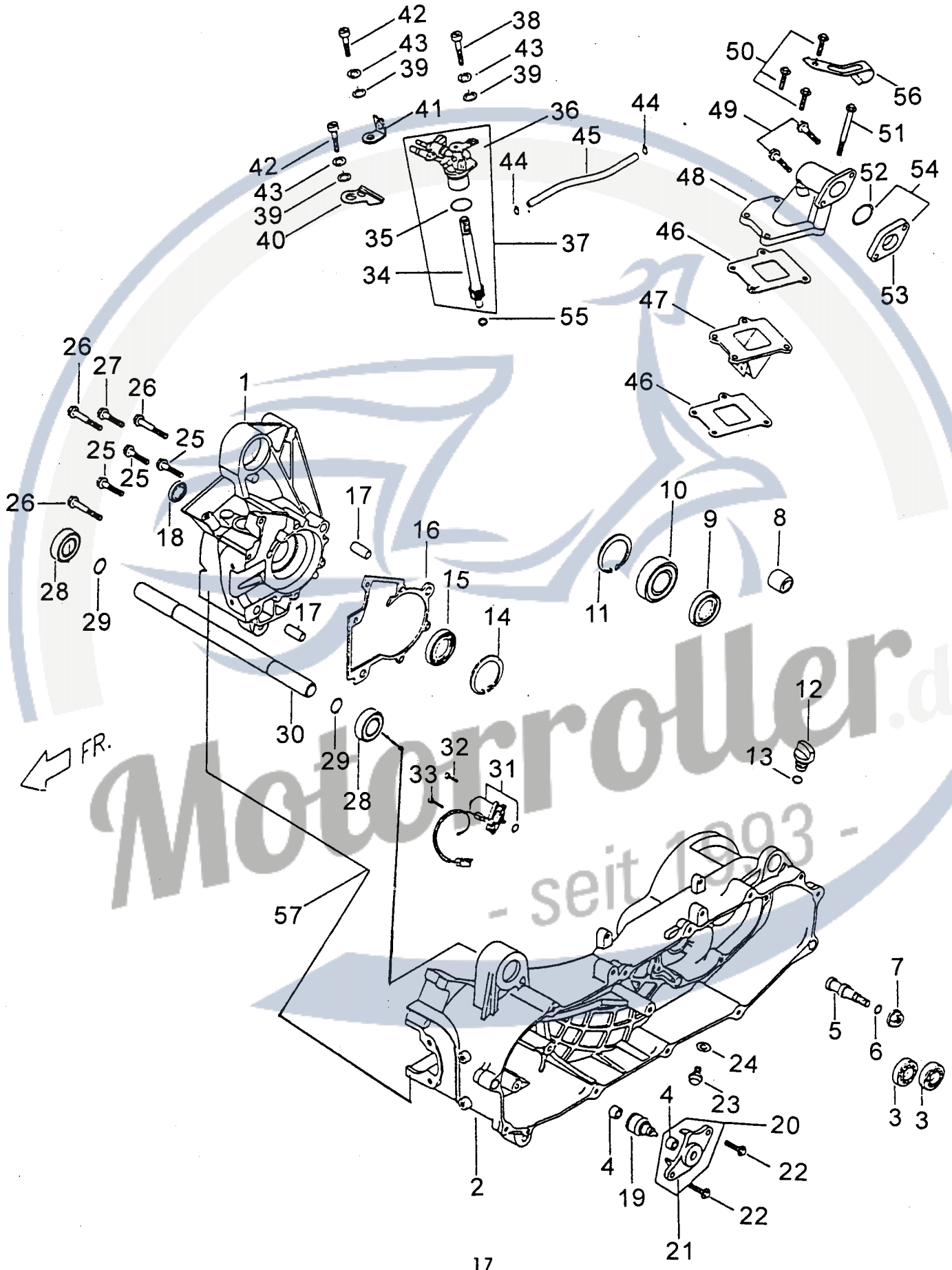


Item	Part No.	QTY	Part Name	Remark
31	P1407104770	1	Rear Wheel Comp (10")	For France
31	P8407100770	1	Rear Wheel Comp	
32	P140B3300001	1	Valve	
33	92011600000	1	U Type Nut	
34	92141700001	1	Plain Washer	
35	E14074000001	1	Brake Shoe Assy	EU
35	E14074000002	1	Brake Shoe Assy	
36	E1407420000	2	Brake Shoe Comp	
37	E1407410000	2	Spring, Brake Shoe	
38	E1407440000	1	Cam, Rear Brake	
39	E1407460000	1	Aepe Washer	
40	E1407450000	1	Indicator, Rear Brake	
41	P1407471000	1	Arm, Rear Brake Comp	
42	90020602202	1	Hexagon Bolt	
43	P1544401000	1	Cable Assy, Rear Brake	
44	E1544440000	1	Pin	
45	E1544410000	1	Adjust Nut, Cable	
46	P1543390000	1	Protection Cover	
47	E1544420000	1	Spring, Rear Brake Arm	
48	P2461002600	1	Center Stand Assy	
49	P146A011000	1	Rubber Damping, Center Stand	
50	P1461120000	1	Spring, Center Stand	
51	P1701070000	1	Rubber Washer	
51	P1701070000	2	Rubber Washer	FOR PMS 30
52	P1407481000	1	Rear Brake Fixing Plate	
53	E1461110000	1	Center Stand Fixing Pin	
53	E14611100001	1	Center Stand Fixing Pin	For PMS 30
54	P1706630000	1	"R" Type Pin	
55	P1462001600	1	Side Sand Comp	
56	E1461120000	1	Spring	
57	90191002800	1	Hexagon Flange Bolt	
58	92061000000	1	U Type Nut	
59	P1461140000	1	2nd Spring, Center Stand	

PMS 110 ENGINE

7

CRANK CASE & OIL PUMP

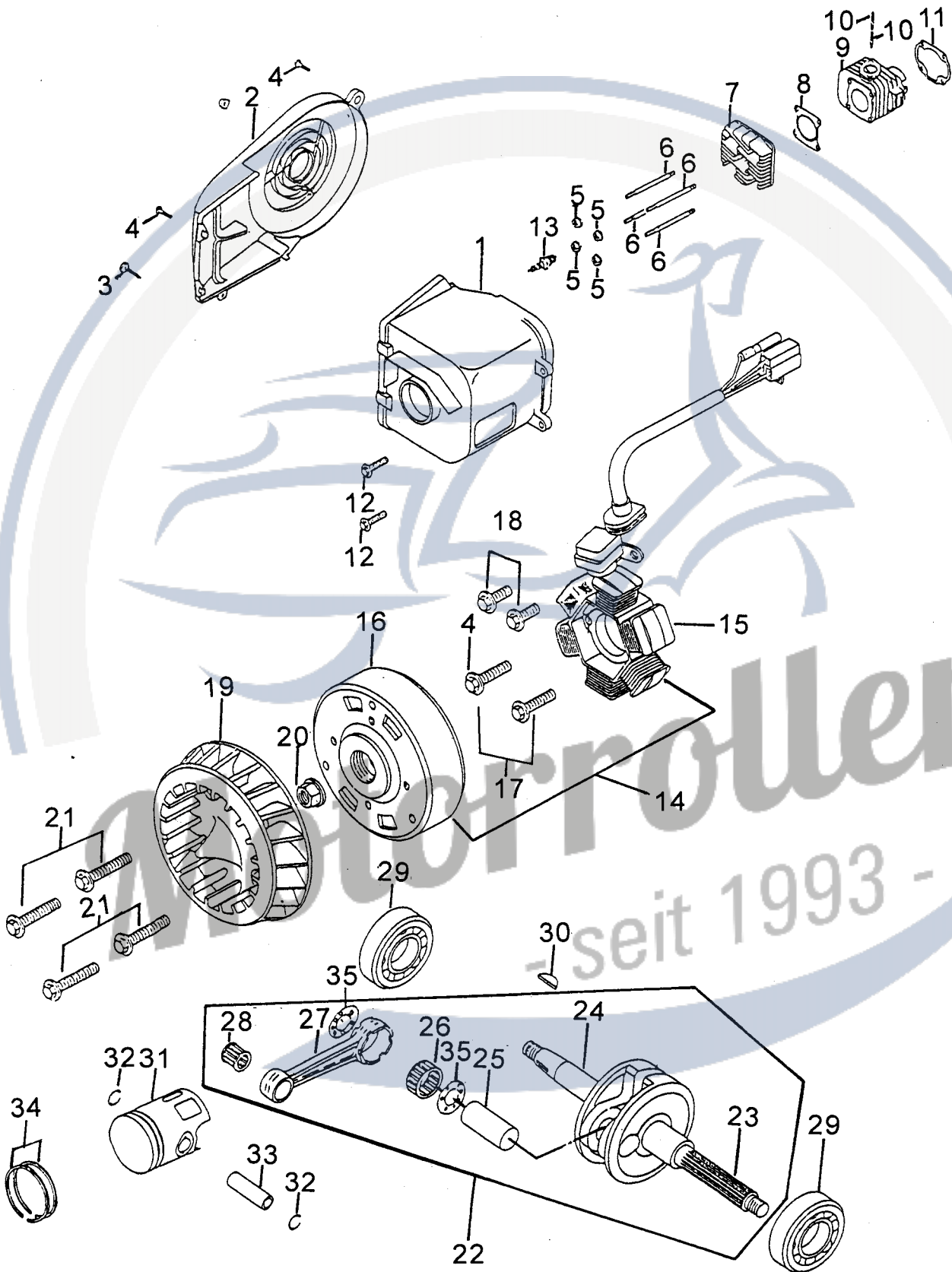


Item	Part No.	QTY	Part Name	Remark
1	P0061010000	1	Rh Crankcase	
2	P0062010000	1	Lh Crankcase	
3	96510620000	2	Ball Bearing	
4	E1062130000	2	Bush	
5	P1407430000	1	Pivot, Rear Brake Shoe	
6	95510800000	1	O Ring	
7	92040800000	1	Hexagon Flange Nut	
8	P1062020000	1	Rubber Bush	
9	95572540700	1	Oil Seal TC Type	
10	96530620400	1	Ball Bearing, Double Sealed	
11	92164700000	1	Retaining, Ring C Type	
12	P1062150000	1	Oil Bolt	
13	95511300001	1	O Ring	
14	92163500000	1	Retaining Ring C Type	
15	95572038700	1	Oil Seal TC Type	
16	P0061041000	1	Crankcase Gasket	
17	93541002300	2	Lock Pin	
18	95571525700	1	Oil Seal TC Type	
19	E9242000000	1	Idle Gear Comp, Starter	
20	P1242111000	1	Fixed Plate Starter Comp,	
21	P1242100000	1	Fixing Plate	
22	90180602000	2	Hexagon Flange Bolt	
23	90190801200	1	Hexagon Flange Bolt	
24	92140800001	1	Washer	
25	90190604500	3	Hexagon Flange Bolt	
26	90190606000	3	Hexagon Flange Bolt	
27	90190602700	1	Hexagon Flange Bolt	
28	96530600300	2	Ball Bearing, Double Sealed	
29	92171700000	2	Retaining, Ring C Type	
30	P1486020000	1	Engine Hanger Shaft	
31	P0241001000	1	Motor Comp, Starter	
32	90040602001	1	C-R Pan Head Machine Screw	
33	90040602001	1	C-R Pan Head Machine Screw	
34	P9081000000	1	Driving Shaft, Oil Pump	
35	95511900000	1	O Ring	Δ
36	P9081010000	1	Oil Pump Comp,	
37	P90810000000	1	Oil Pump Assy	
38	90040602001	1	C-R Pan Hd. Machine Screw	
39	92140600000	4	Plain Washer	
40	P9081211000	1	Oil Pump Plate	

PMS 110 ENGINE

8

FAN, CYLINDER/PISTON, CRANKSHAFT & GENERATOR



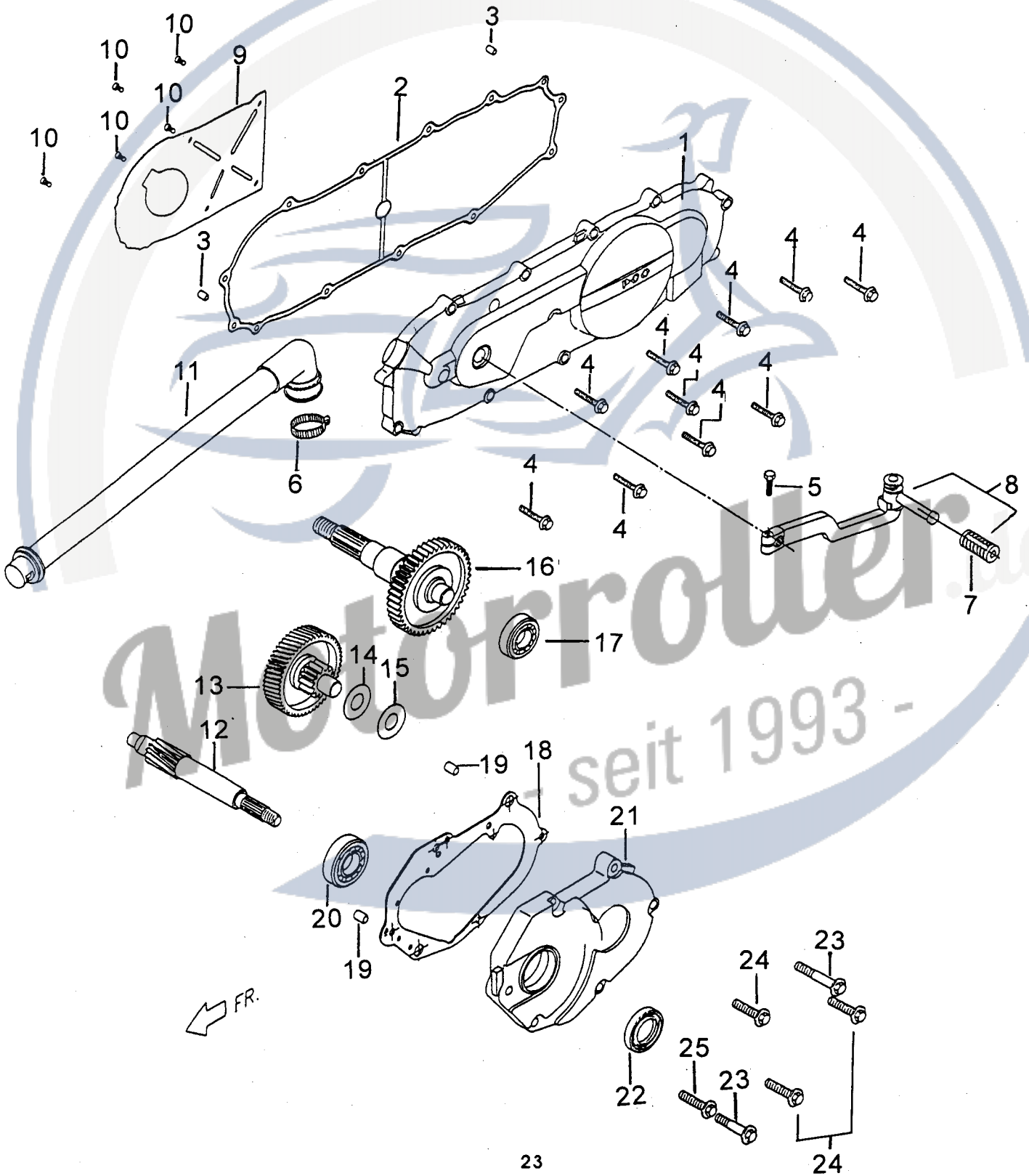
FR.

Item	Part No.	QTY	Part Name	Remark
1	P0042100000	1	Cooling Cowl	
2	P0042000000	1	Fan Cover	
3	90110401200	1	Cr Pan Hd Tapping Screw	
4	90180602000	2	Hexagon Flange Bolt	
5	92040700000	4	Hexagon Flange Nut	
6	90170713700	4	Stud Bolt	
7	P0065011000	1	Cylinder Head	
8	P0065110000	1	Gasket, Cylinder Head	
9	P0064011000	1	Cylinder	
10	90170602901	2	Stud Bolt	
11	P0064110000	1	Cylinder Gasket	
12	90190601201	2	Hexagon Flange Bolt	
13	E1222000000	1	Ignition Plug	NGK BP7HS
13	E12220000002	1	Ignition Plug	NGK BPR7HS
13	P1222000000	1	Ignition Plug	CP RL82YC
14	P1221000000	1	AC Generator Assy	台全 ONLY
15	P1221020000	1	Stator Comp	
16	P1221010000	1	Flywheel Comp	
17	90180602000	2	Hexagon Flange Bolt	
18	90190601201	2	Hexagon Flange Bolt	
19	P0043000000	1	Fan	
20	92041000000	1	Hexagon Flange Nut	
21	90190601500	4	Hexagon Flange Bolt	
22	P0066001000	1	Crankshaft Comp	
23	P0066011000	1	Lh Crankshaft	△
24	P0066021000	1	Rh Crankshaft	△
25	E9066030000	1	Crank Pin	
26	96590182400	1	Bearing Cage	
27	P0066120000	1	Connecting Rod	
28	96600141800	1	Bearing Cage	
29	E1062100000	2	Ball Bearing	
30	93530302400	1	Woodruff Key	
31	P0067010000	1	Piston	
32	P0067150000	2	Clip, Piston Pin	
33	P0067110000	1	Piston Pin	
34	P0067310000	2	Piston Ring	
35	E9066130000	2	Shoulder, Washer	

PMS 110 ENGINE

9

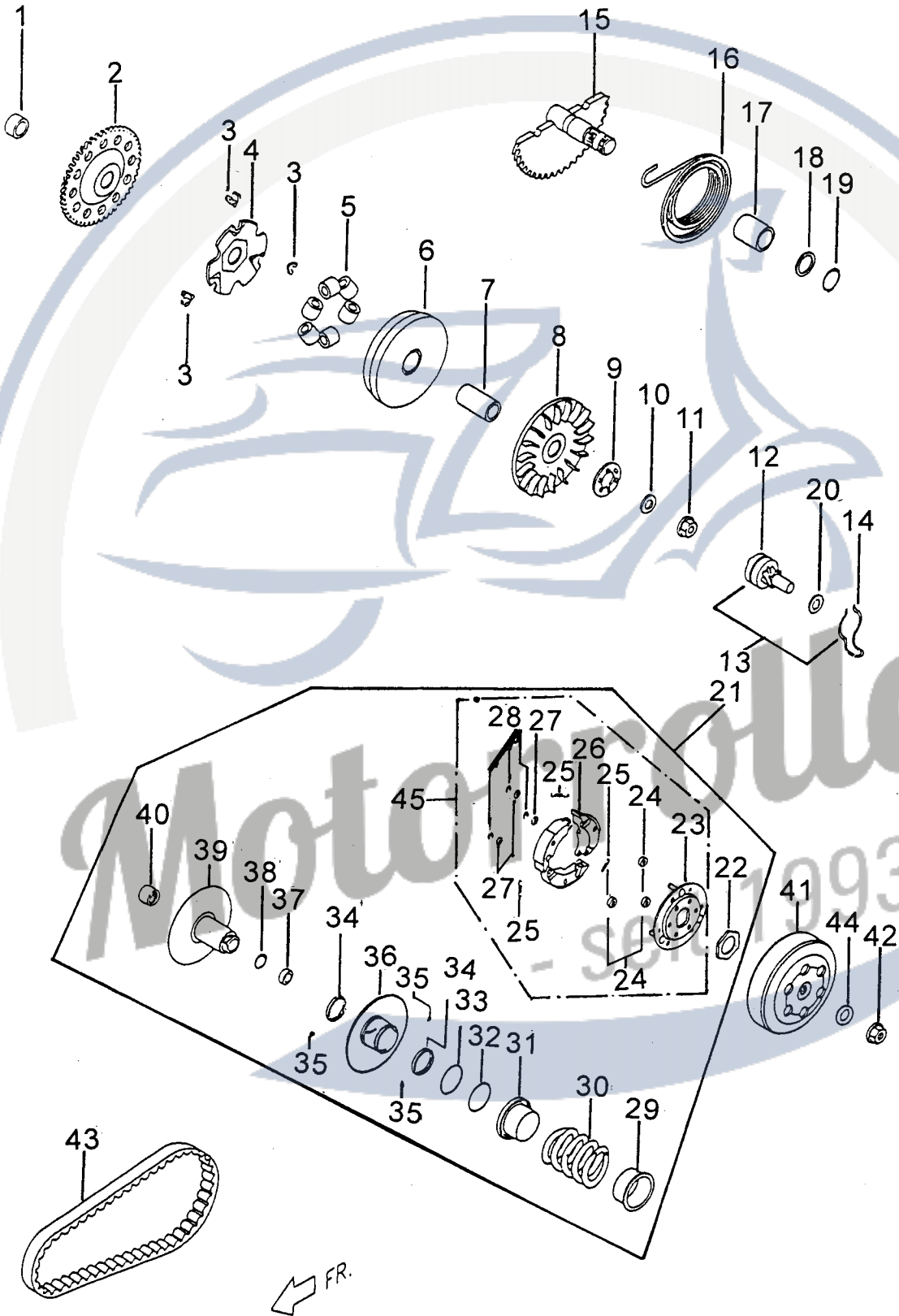
LH SIDE COVER & TRANSMISSION



PMS 110 ENGINE

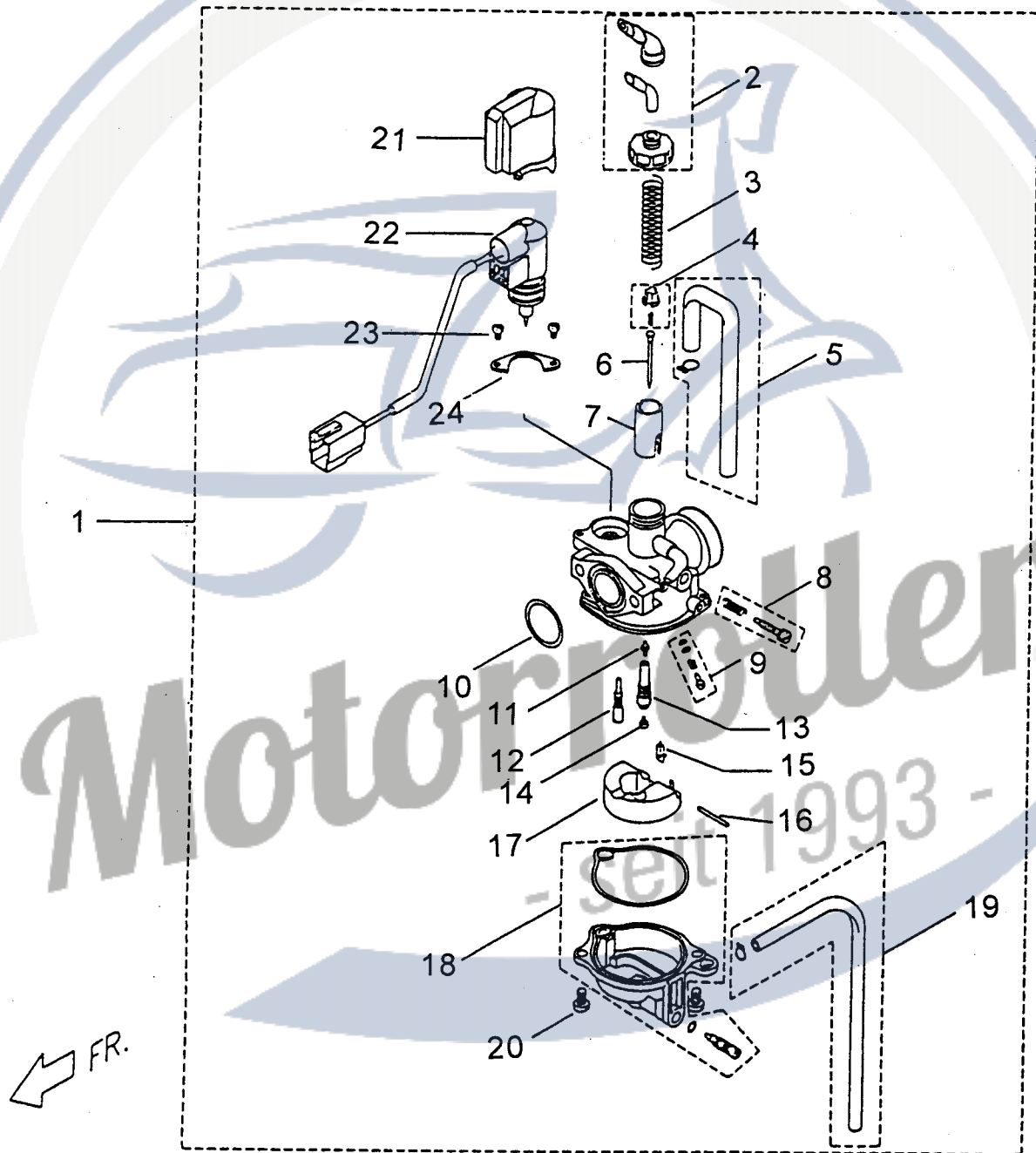
10

BELT, PULLEY COMP, DRIVING FACE & DRIVEN FACE



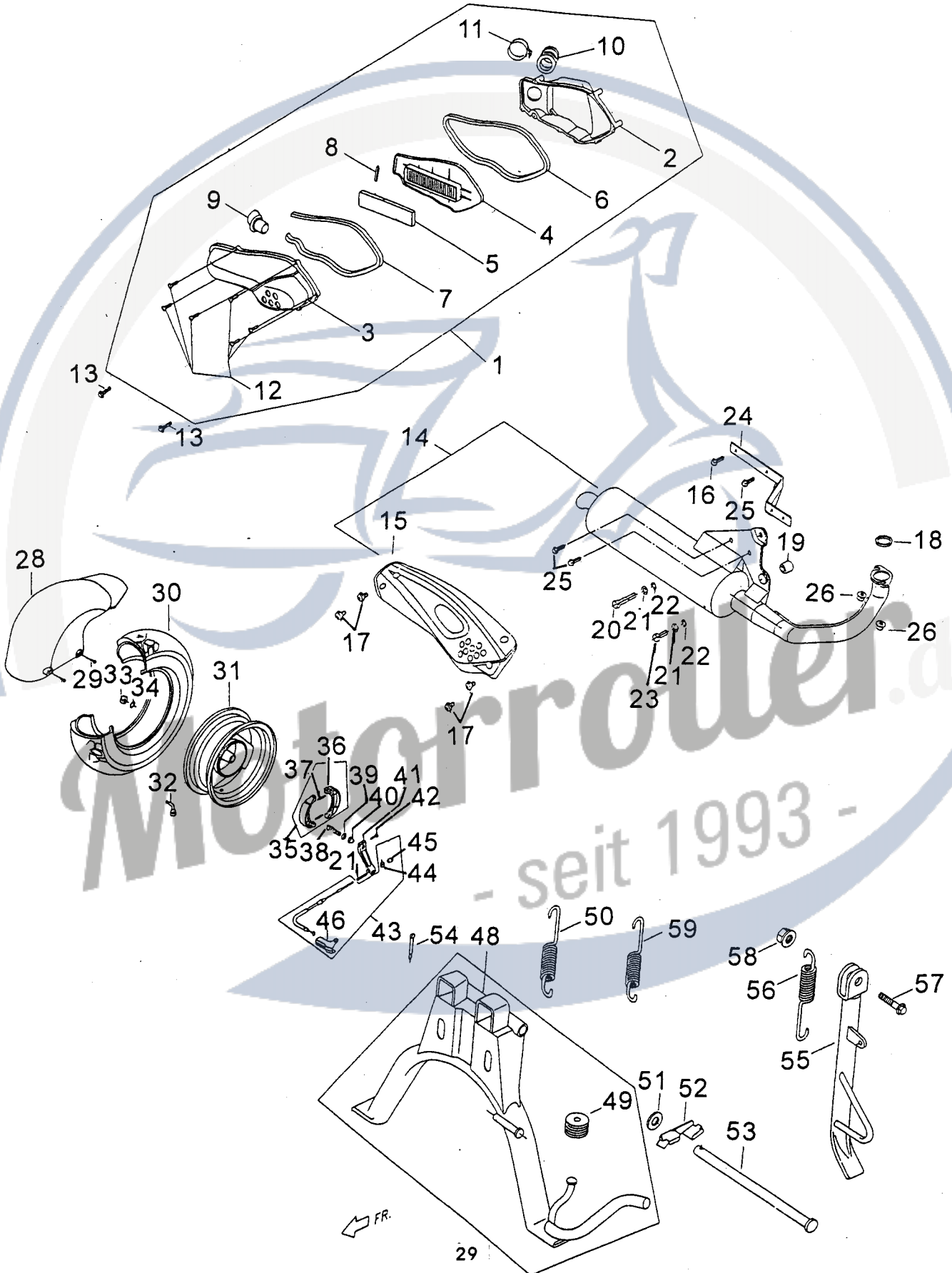
Item	Part No.	QTY	Part Name	Remark
1	P9242210000	1	Spacer	
2	P9242201000	1	Driven Gear, Starter	
3	P9121320000	3	Slide Piece	
4	P9121310000	1	Ramp Plate	
5	P11212000003	6	Weight Roller Comp	
6	P9121101000	1	Driving Face Comp, Movable	
7	P0121050000	1	Boss, Movable Drive Face	
8	P9121060000	1	Drive Face	
9	P9251030000	1	Ratchet Kick Starter	
10	92141000001	1	Plain Washer	
11	92041000001	1	Hexagon Flange Nut	
12	P0251010000	1	Driven Gear Comp, Kick Start	
13	P0251000000	1	Driven Gear & Spring Comp	
14	P0251020000	1	Spring, Friction Starter Gear	
15	E1251101000	1	Spindle Comp, Kick Starter	
16	E2251110000	1	Torsion Spring	
17	E1251120000	1	Bush	
18	92141400000	1	Plain Washer	
19	92171400000	1	Retaining Ring C Type	
20	92141000000	1	Plain Washer	
21	P0123701000	1	Belt Pulley Comp. Driven Face	
22	P9123410000	1	Nut	
23	C1123300000	1	Body Comp, Drive Plate	
24	C1123420000	3	Damper Rubber, Clutch	
25	C1123430000	3	Spring, Clutch	
26	P0123440000	3	Weight Set, Clutch	
27	92140600008	3	Plain Washer	
28	92180700000	3	Retaining Ring E Type	
29	C1123330000	1	Collar, Spring	
30	P0123520000	1	Spring, Driven Face	
31	P9123530000	1	Sealed Socket	
32	95513600000	1	O Ring	
33	95514000001	1	O Ring	
34	95593439300	2	Oil Seal G Type	
35	P9123240000	3	Pin, Guide Roller	
36	P9123200000	1	Body Comp, Movable Driven Face	
37	96520690100	1	Deep Groove Ball Bear One Seal	
38	92162400000	1	Retaining Ring Type	
39	P9123100000	1	Body Comp, Driven Face	
40	E1123140000	1	Needle Bearing	
41	P0123510000	1	Outer Body Comp, Clutch	
42	92041000000	1	Hexagon Flange Nut	
43	P9122000000	1	Belt	
44	92141000001	1	Plain Washer	
45	P012360000	1	Bady Comp ,Drive Plate	

11 PMS 110 ENGINE
CARBURETOR



12 PMS 110 ENGINE

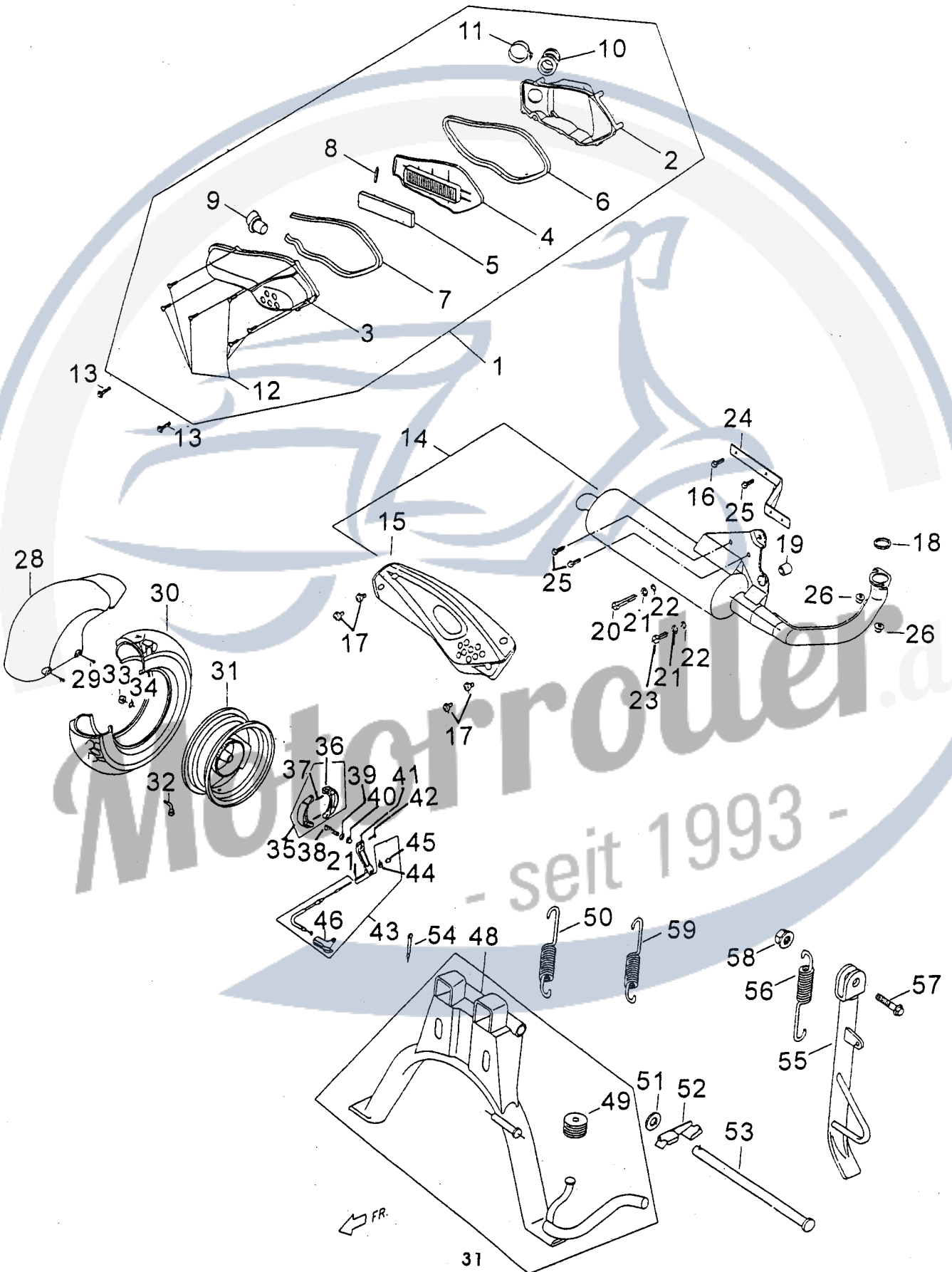
AIR CLEANER, MUFFLER, REAR WHEEL & STANDS



Item	Part No.	QTY	Part Name	Remark
1	P2262001000	1	Air Cleaner Comp	
2	P2262010000	1	Body, Air Cleaner	
3	P2262020000	1	Cover, Air Cleaner	
4	P2262030000	1	Sponge, Air Cleaner	
5	P2262040000	1	Sponge	
6	P226B050000	1	Packing, Air Cleaner	
7	P226B060000	1	Packing, Air Cleaner	
8	P226B070000	1	Packing, Air Cleaner	
9	P2262060000	1	Air Hose	
10	P1262080000	1	Connecting Pipe, Air Cleaner	
11	P1262110000	1	Clamp	
12	90150502500	6	Screw, Cr Round Head	
13	90180602500	2	Hexagon Flange Bolt	
14	P82810000001	1	Muffler Assy	W/O Catalyst
15	P22810107G0	1	Heat Protector	
16	90190602000	1	Hexagon Flange Bolt	
17	90040500801	4	Cr Pan Head Machine	
18	E9281020000	1	Gasket, Muffler	
19	E1062020000	1	Damper Bush	
20	90020802500	1	Hexagon Bolt	
21	92110800000	2	Spring Washer	
22	92140800000	2	Plain Washer	
23	90020803800	1	Hexagon Bolt	
24	P2634020000	1	Support Rear Fender	
25	90190601200	3	Hexagon Flange Bolt	
26	92040600000	2	Hexagon Flange Nut	
27	P928A0600001	1	Heat Protector Liner	NO DRAWING
28	P2634000000	1	Rear Fender	
29	90180602000	2	Hexagon Flange Bolt	
30	P04073000001	1	Tire (On Road)	130/70-12
30	P94073000002	1	Tire (Off Road)	130/70-12
30	C540G320000	1	Tire (MAXXIX, 130/70-12)	NEW PMX SPORT
31	P8407100770	1	Rear Wheel Comp	
32	P140B330000	1	Valve	
33	92011600000	1	U Type Nut	
34	92141700001	1	Plain Washer	
35	E14074000002	1	Brake Shoe Assy	
36	E1407420000	2	Brake Shoe Comp	
37	E1407410000	2	Spring, Brake Shoe	
38	E1407440000	1	Cam, Rear Brake	

12 PMS 110 ENGINE

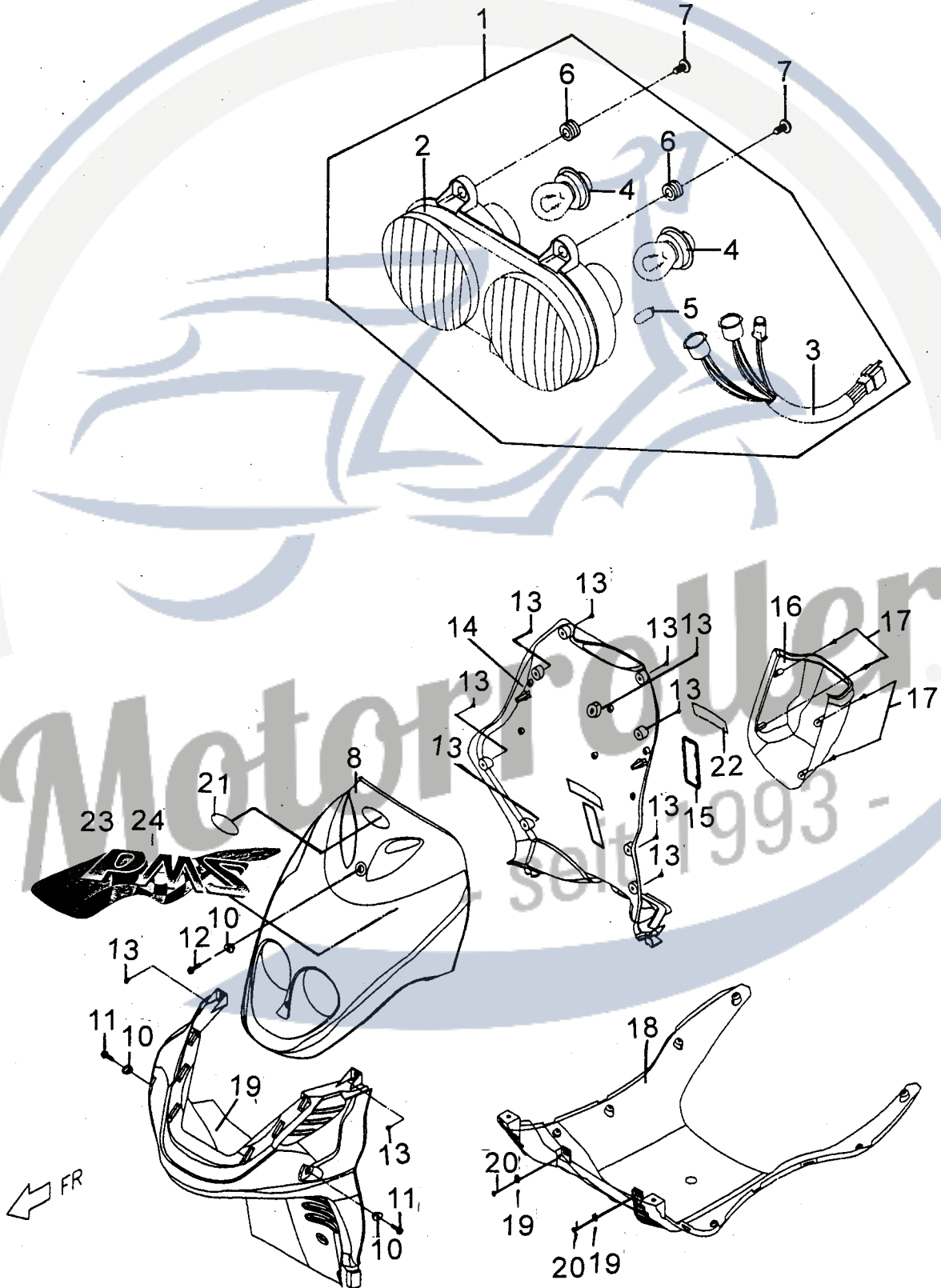
AIR CLEANER, MUFFLER, REAR WHEEL & STANDS



PMS 50/110 FRAME

13

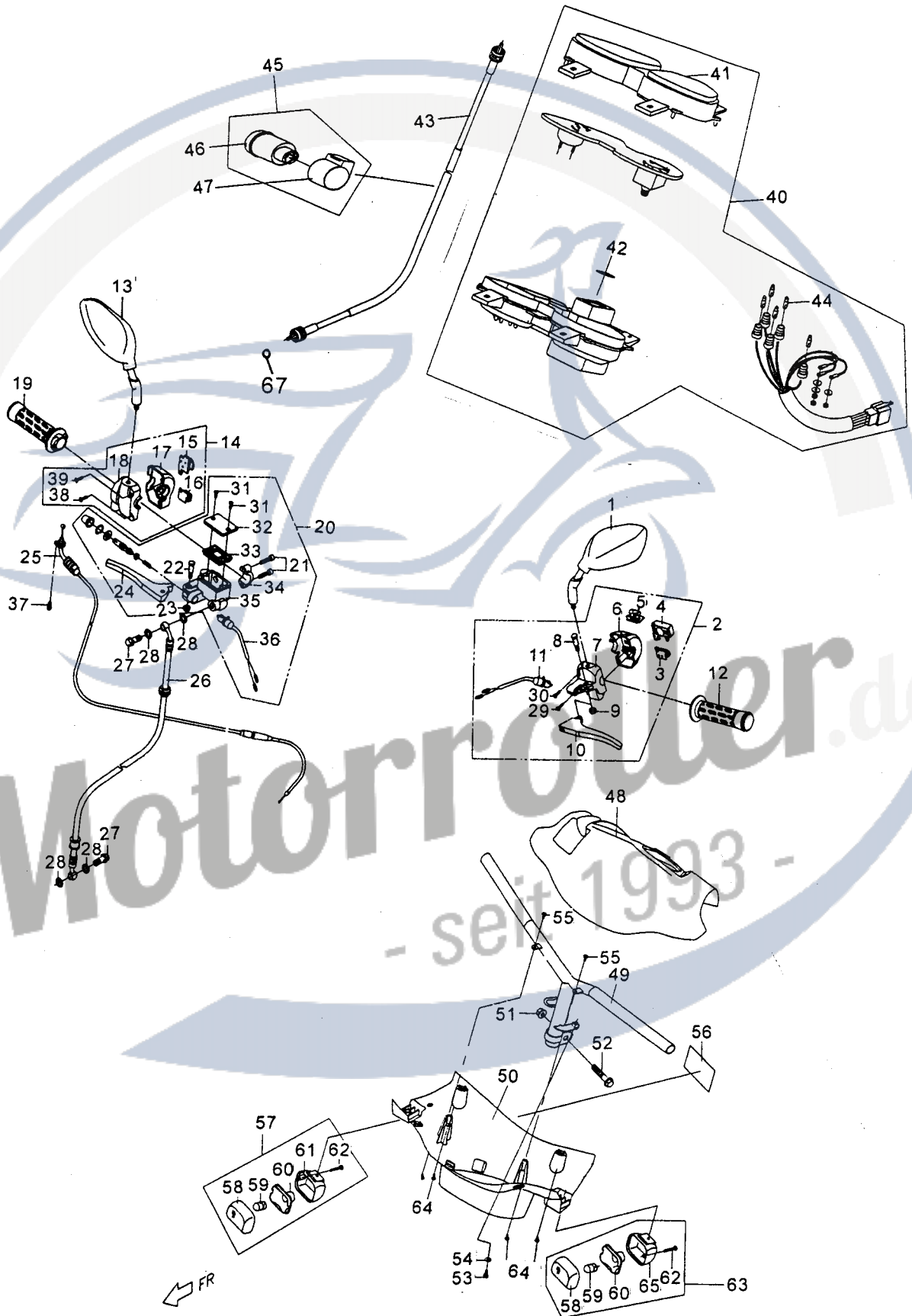
HEAD LAMP, FRONT WINDSHIELD, LOWER COWER



Item	Part No.	QTY	Part Name	Remark
1	P2661000000	1	Head Light Assy	
1	P2661000001	1	Head Light Assy	"E" MARK
2	P266A010000	1	Lamp Cover	
2	P266A1200001	1	Lamp Cover Comp.	E MARK
3	P266A030000	1	Connecting Wire, Frt Light	
3	P266A0800001	1	Connecting Wire, Frt Light	E MARK
4	E966A010000	2	Bulb	12V 18/18W
4	P266A0300001	1	Bulb	"E" MARK
5	P266A080000	1	Bulb	12V 5W
5	P266A0600001	1	Bulb	E MARK
6	P166A030000	2	Rubber Bush	
7	90130501400	2	C-R Recess Pan Hd Tapping	
8	P2621000000	1	Fender	
9	P2626010000	1	Front Cover , Lower	
10	P1706510000	2	Bush	
11	P1621010000	2	Screw, With Washer	
12	P16210110001	1	Screw With Washer	
13	90130501400	2	C-R Recess Pan Hd, Tapping	
14	P2623000000	1	Front Inner Cover	
15	P2623010000	1	VIN Cover	
16	P2622000000	1	Front Luggage Case	
17	90110401600	4	C-R Recess Pan HD, Tapping	
18	P2626000000	1	Step Floor Cover Lower	
19	92370500003	2	Spring Nut U Type	
20	90150501600	2	C-R Recess Pan HD, Tapping	
21	P2601050000	1	PGO Design Paper	
22	P2601010000	1	PGO Design Paper	
23	P2601130000	1	Windshield Sticker "PMS"	PMS
23	P2601180000	1	Windshield Sticker "PMX SPORT"	PMX SPORT
23	P2601350000	1	Lh Windshield Sticker (black scooter)	NEW PMX SPORT
23	P26013500001	1	Lh Windshield Sticker(Silver scooter)	NEW PMX SPORT
23-1	P2601360000	1	Rh Windshield Sticker (black scooter)	NEW PMX SPORT
23-1	P26013600001	1	Rh Windshield Sticker(Silver scooter)	NEW PMX SPORT
24	P2601170000	1	"PM-100D" Sticker	FOR PMS 110
24	P2601160000	1	"PM-50D" Sticker	FOR PMS 50

PMS 50/110 FRAME

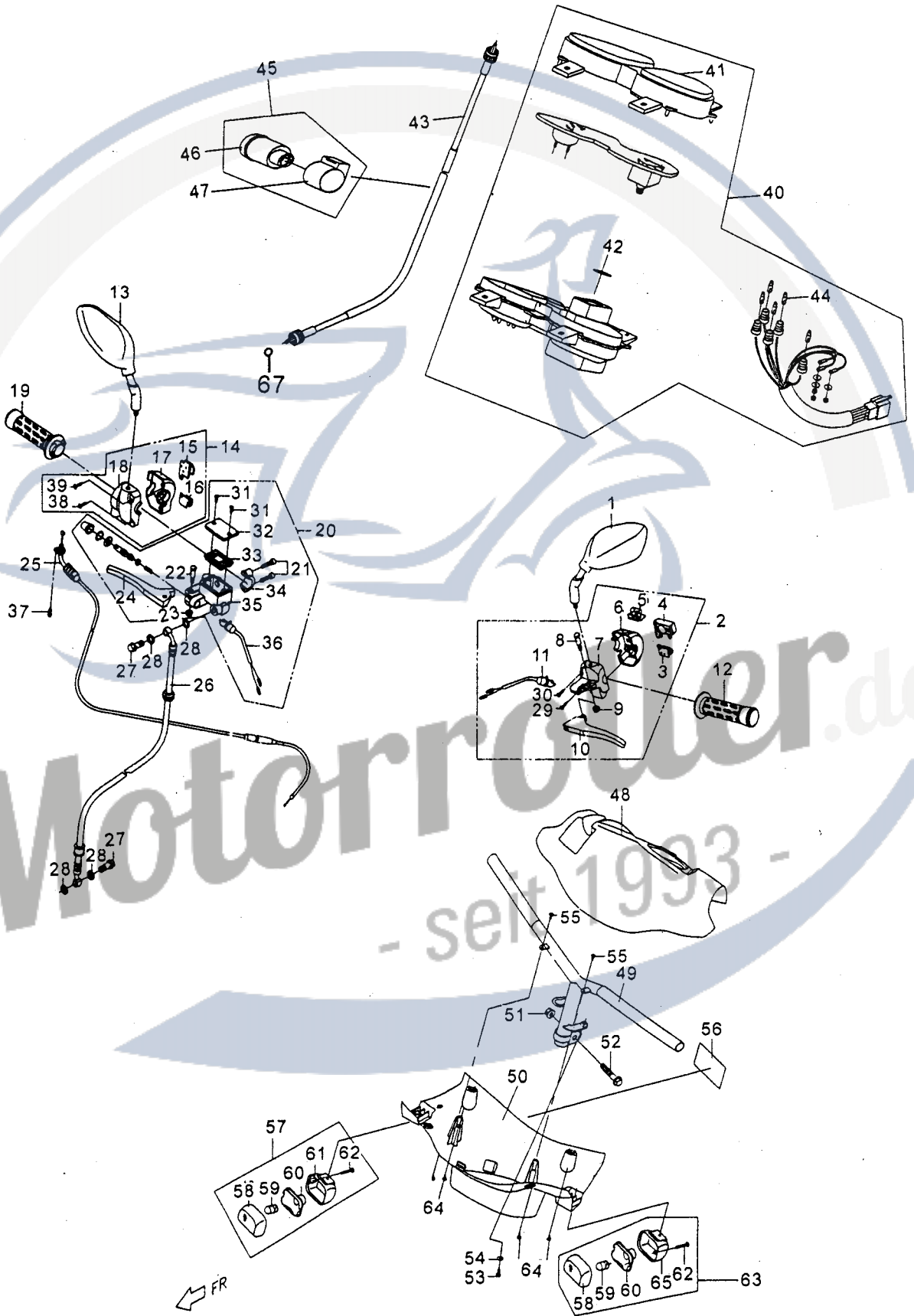
SPEEDOMETER, HANDLE BAR & FRT SIGNAL LAMP



Item	Part No.	QTY	Part Name	Remark
1	P261F010000	1	Lh Back Mirror	
1	C261F010000	1	Lh Back Mirror (2 Colored)	NEW PMX SPORT
2	P1546003000	1	Lever Holder Assy (Left)	Δ
3	P154F310000	1	Horn Switch	Δ
4	P154F220000	1	Signal Lamp Switch	Δ
5	P154F060000	1	Hi/Low Lamp Switch	
6	P154F010000	1	Case, Switch Under 2	
7	P154F020000	1	Case, Switch Under 1	
8	P154F030000	1	Bolt	
9	P154F040000	1	Lock Nut	
10	P2543300000	1	Lever, Lh Brake	
11	P154F050000	1	Rear Brake Switch Comp	
12	P0541000000	1	Lh Grip Assy	
13	P261F020000	1	Rh Back Mirror	
13	C261F020000	1	Rh Back Mirror	NEW PMX SPORT
14	P2548001000	1	Lever Holder Assy (Right)	
15	P154H030000	1	Head Lamp Switch	Δ
16	P154H060000	1	Start Switch	Δ
17	P154H010000	1	Case, Switch Under 2	
18	P154H020000	1	Case, Switch Under 1	
19	P0542000000	1	Rh Grip Assy	
20	P24030010002	1	Frnt Brake Master Cylinder	
21	P140C250000	2	Hex Socket Head Bolt	
22	P140C220000	1	Bolt	
23	P140C230000	1	Flange Nut	
24	P2543600000	1	Lever, Rh Brake	
25	P8544600000	1	Cable Assy, Throt	FOR 110 CC
25	P1544602000	1	Cable Assy, Throt	FOR 50 CC
26	P24036000001	1	Frnt Brake Fluid Hose Comp	
27	P1403810000	2	Joint Bolt, Brake Hose	
28	92141000002	4	Plain Washer	
29	P154F390000	1	Screw, Pan Head	
30	P154F400000	1	Screw, Pan Head	
31	P140C130000	2	Screw	
32	P140C120000	1	Cap, Reservoir	
33	P140C110000	1	Diaphragm, Reservoir	
34	P140C240000	1	Bracket, Master Cylinder	
35	P140C010000	1	Master Cylinder	
36	P140C180000	1	Safety switch Assy	
37	90050501200	1	C-R Recess Pan Hd. Tapping	

PMS 50/110 FRAME

SPEEDOMETER, HANDLE BAR & FRT SIGNAL LAMP

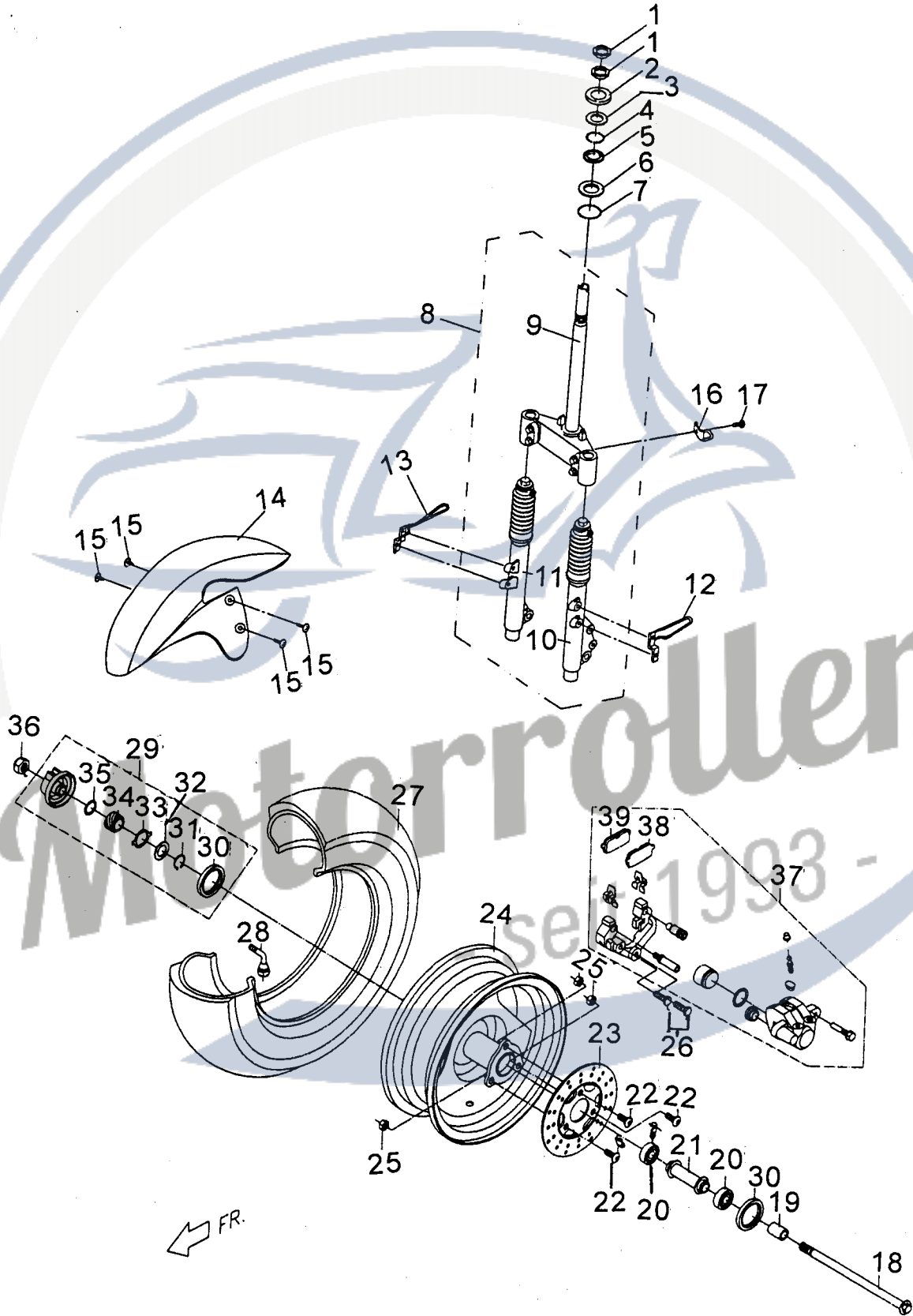


Item	Part No.	QTY	Part Name	Remark
38	P154H180000	1	C-R Round Head Screw	
39	P154H170000	1	C-R Round Head Screw	
40	P0561000000	1	Speedometer Assy	FOR 110cc & PMS30
40	P25610000001	1	Speedometer Assy	FOR 50 CC
41	P256A010000	1	Speedometer, Cover Upper	
42	P2601090000	1	PGO Logo Sticker	
43	P1544003000	1	Speedometer Cable Assy	
44	E1561030000	5	Bulb	
45	P2586011000	1	Flasher Relay Assy	
46	P2586010000	1	Flasher Relay	
47	P2701010000	1	Rubber	
48	P2613001000	1	Cover, Upper	COLOR ?
48-1	P2601300000	1	Lh Sticker, Upper Cover(Black scooter)	New PMX SPORT
48-1	P26013000001	1	Lh Sticker, Upper Cover(Silver scooter)	New PMX SPORT
48-2	P2601310000	1	Rh Sticker, Upper Cover (black scooter)	New PMX SPORT
48-2	P26013100001	1	Rh Sticker, Upper Cover(Silver Scooter)	New PMX SPORT
49	P2612000730	1	Handle Bar Assy	
50	P2614001660	1	Cover, Lower	
51	92061000001	1	Hexagon Lock Nut	
52	90191004600	1	Hexagon Flange Bolt	
53	90040501600	1	C-R Recess Pan Hd Tapping	
54	92140500014	1	Plain Washer	
55	90130501400	2	C-R Recess Pan Hd Tapping	
56	C16030000001	1	"Notice" Adhesive Label	
57	P066D010650	1	Rh Frt Turn Signal Assy (Black)	
57	P066D0106501	1	Rh Frt Turn Signal Assy (Black)	E mark
57	P066D010660	1	Rh Frt Turn Signal Assy (Gray)	
57	P066D0106601	1	Rh Frt Turn Signal Assy (Gray)	"E" MARK
58	P066C030000	2	Signal Lamp Cover	
59	KP663130000	2	Bulb	
60	P066C040000	2	Turn Signal Lamp Base	
61	P066C020000	1	Turn Signal Shell (Rh)	
62	P166C060000	2	Tapping Screw	
63	P066C010650	1	Lh Frt Turn Signal Assy(Black)	
63	P066C0106501	1	Lh Frt Turn Signal Assy (Black)	"E" MARK
64	90110401200	4	Tapping Screw	
65	P066C020000	1	Turn Signal Shell (Lh)	
66	90200502000	2	Screw, With Washer	
67	P1544010000	1	Rubber Seal	
68	P2616000000	1	Back Mirror Assy (LH+RH)	
68	C2616000000	1	Back Mirror Assy (LH+RH)	NEW PMX SPORT

PMS 50/110 FRAME

15

FRT FORK & FRT WHEEL

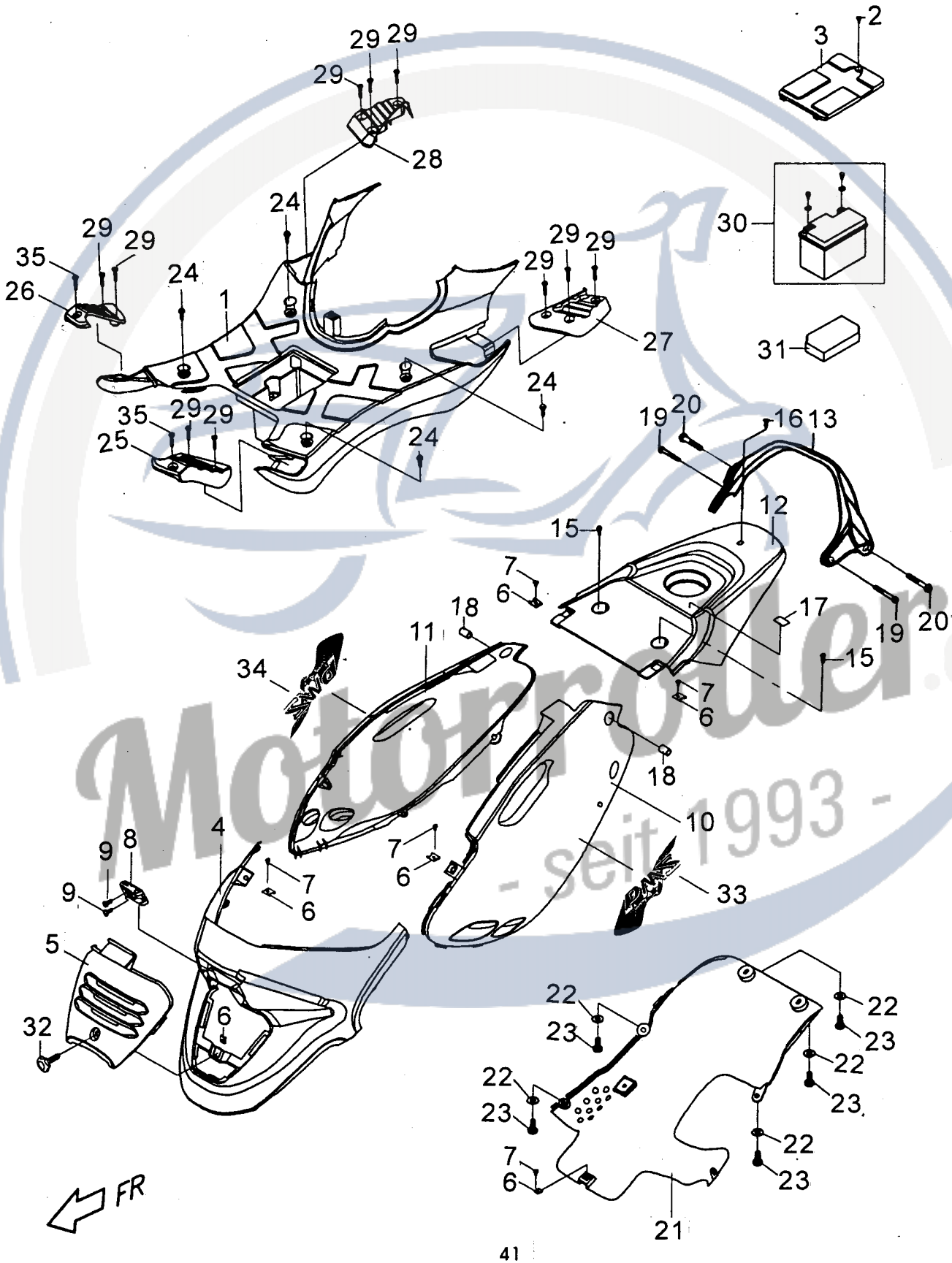


Item	Part No.	QTY	Part Name	Remark
1	P1443040000	2	Steering Shaft Lock Nut	
2	P1443070000	1	Cover	
3	P1443030000	1	Upper Bearing Cage	
4	99010500000	22	Bearing Ball	
5	P1443020000	1	Outer Bearing Cage	
6	C1443010000	1	Lower Bearing Cage	
7	99010600000	19	Bearing Ball	
8	P24430037202	1	Front Fork Assy	
8	P24430037203	1	Front Fork Assy	For FRANCE
9	P244C2000002	1	Under Bracket, Comp	
10	P244C2100002	1	Lh Outer Tube Assy	
11	P244C2200002	1	Rh Outer Tube Assy	
12	C1544020000	1	Cable Clip Comp. L	
13	C1544010000	1	Cable Clip Comp. R	
14	P26320000001	1	Frt Section Front Fender	
14-1	P2601320000	1	Lh Sticker, Frt Section Frt Fender	Black scooter
14-2	P2601330000	1	Rh Sticker, Frt Section Frt Fender	Black scooter
15	90190601001	4	C-R Recess Pan Hd. Tapping	
16	P5544010000	1	Cable Clip Comp	
17	90190601001	1	Hexagon Flange Bolt	
18	C1402500000	1	Axle Fr Wheel	
19	P1401010000	1	Spacer	
20	96520620100	2	One Shteld Ball Bearing	
21	P8402400000	1	Spacer Comp	
21	P1402400000	1	Spacer Comp	For FRANCE
22	E1403512000	3	Screw, Front Brake Disk	For FRANCE
22	C1403510000	3	Screw, Front Brake Disk	
23	P2403500000	1	Disc Front Brake	For FRANCE
23	C2403502000	1	Disc Front Brake	
24	P8401101770	1	Front Wheel Assy	
24	P0401101770	1	Front Wheel Assy	For FRANCE
25	92400800000	3	Lock Nut	
26	90020803002	2	Hexagon Bolt	
27	P9402300000	1	Tire (On Road)	For FRANCE
27	C5402300000	1	Tire (MAXXIS)	NEW PMX SPORT
28	P140B330000	1	Valve	
29	P0566001000	1	Meter Gear Assy	110 CC
29	P1566001000	1	Meter Gear Assy	50 CC
30	95572235700	1	Oil Seal	
31	92171800000	1	"C" Clip	
32	92141900001	1	Plain Washer	
33	P1566050000	1	Pad	
34	P1566040000	1	Speedometer Gear	
35	92141900002	1	Plain Washer	
35~1	P1544010000	1	Rubber Seal	
36	92061200000	1	Lock Nut	
37	C1403300000	1	Frt Caliper Assy	
38	C140C310000	1	Pad (Inside)	
39	C140C320000	1	Pad (Outside)	

PMS 50/110 FRAME

16

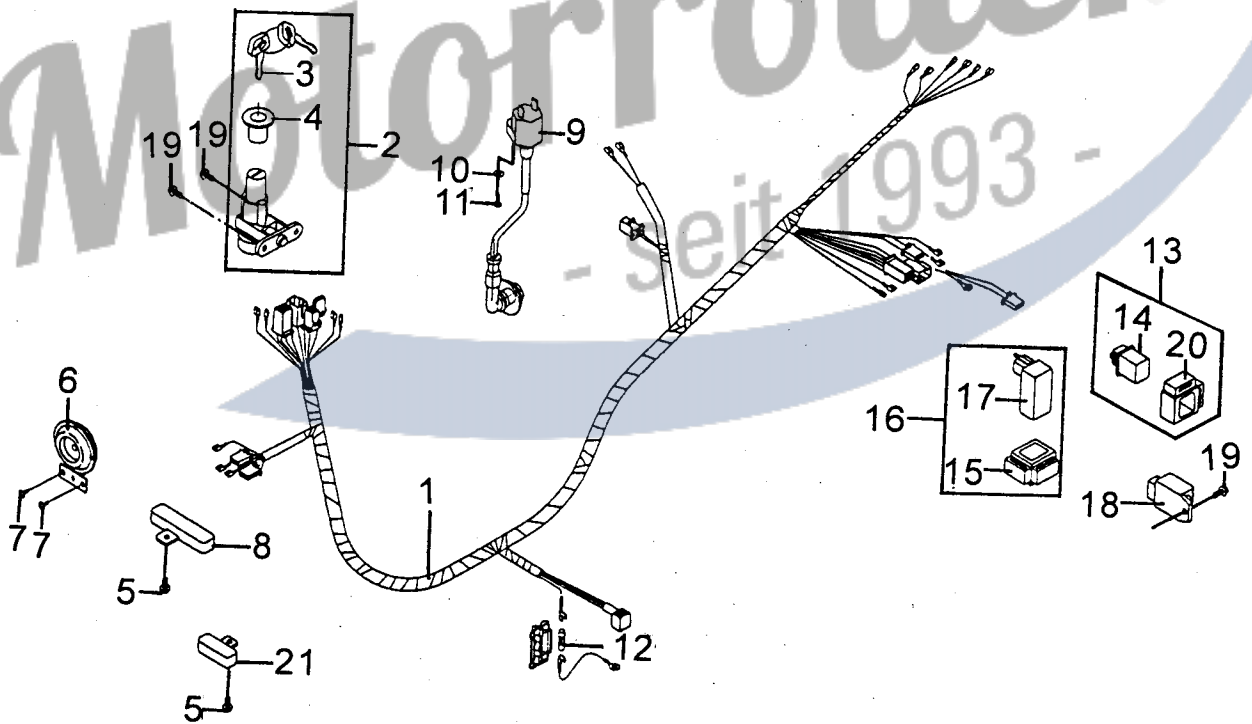
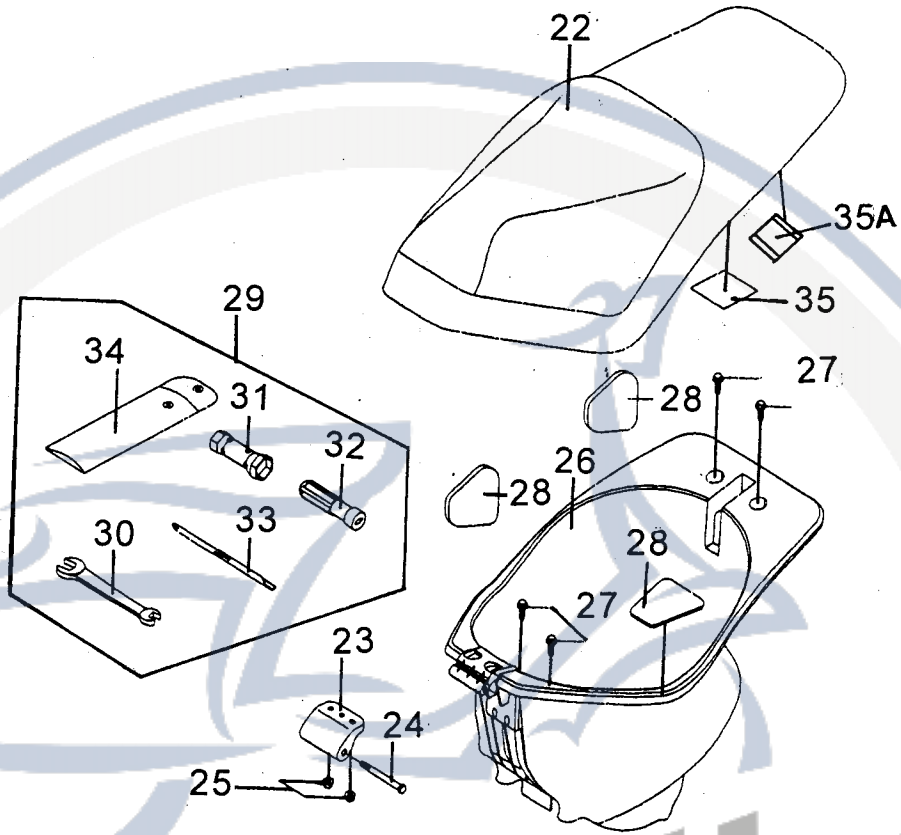
STEP FLOOR, BODY COVER,



Item	Part No.	QTY	Part Name	Remark
1	P2624000000	1	Step Floor	
2	90130501400	1	C-R Recess Pan Hd Tapping	
3	P2624030000	1	Battery Cover	
4	P2625040000	1	Body Cover, Front	
5	P2625010000	1	Center Cover	
6	92370500003	3	Spring Nut U-Type	
7	90150501600	3	Cr Recess Pan Hd Tapping	
8	P2701210660	1	Hook Helmet Assy	
9	90040602003	2	Flange Bolt	
10	P2625300000	1	Lh Body Cover	
11	P2625500000	1	Rh Body Cover	
12	P2625700000	1	Rear Cover	
13	P0676011770	1	Rear Luggage Bracket	Silver
13	P06760111E0	1	Rear Luggage Bracket	Red
15	90190601500	2	Hexagon On Flange Bolt	
16	E1621010000	1	Screw, With Washer	
17	E1603040000	1	Adhesive Paper, Fuel Type	
18	P1421480000	2	Bush	
19	90190603502	2	Hexagon Flange Bolt	
20	90190804501	2	Hexagon Flange Bolt	
21	P2625020000	1	Step Floor Cover Lower	
22	92140600005	5	Washer	
23	90040601400	5	C-R Recess Pan Hd Tapping	
24	90190602000	4	Hexagon On Flange Bolt	
25	P2624010900	1	Step Plate, Lh, Rr	
26	P262D010900	1	Step Plate Rear	
27	P2624020900	1	Step Plate, Lh Rear	
28	P262D020900	1	Step Plate Rh Rear	
29	90040601600	10	C-R Pan, Hd, Machine, Screw	
30	E95830000001	1	Battery	FOR 110cc
30	E15830000002	1	Battery	FOR 50cc
31	P15830100001	1	Battery Packing	
32	P2706020000	1	C-R Recess Pan Hd Tapping	
33	P2601140000	1	Lh Body Cover Paper	PMS
33	P2601190000	1	Lh Body Cover Paper	PMX SPORT
33	P2601340000	2	Body Cover Paper (Black scooter)	NEW PMX SPORT
33	P26013400001	2	Body Cover Paper (Silver scooter)	NEW PMX SPORT
33-1	P2601280000	1	Strip, LH Body Cover Paper	NEW PMX SPORT
33-1	P26012800001	1	Strip, LH Body Cover Paper	NEW PMX SPORT
34	P2601150000	1	Rh Body Cover Paper	PMS
34	P2601200000	1	Rh Body Cover Paper	PMX SPORT
34-1	P2601290000	1	Strip, Rh Body Cover Paper	NEW PMX SPORT
34-1	P26012900001	1	Strip, Rh Body Cover Paper	NEW PMX SPORT
35	90040602200	2	C-R Pan, Hd, Machine, Screw	

17 PMS 50/110 FRAME

SEAT, LUGGAGE, WIRE HARNESS



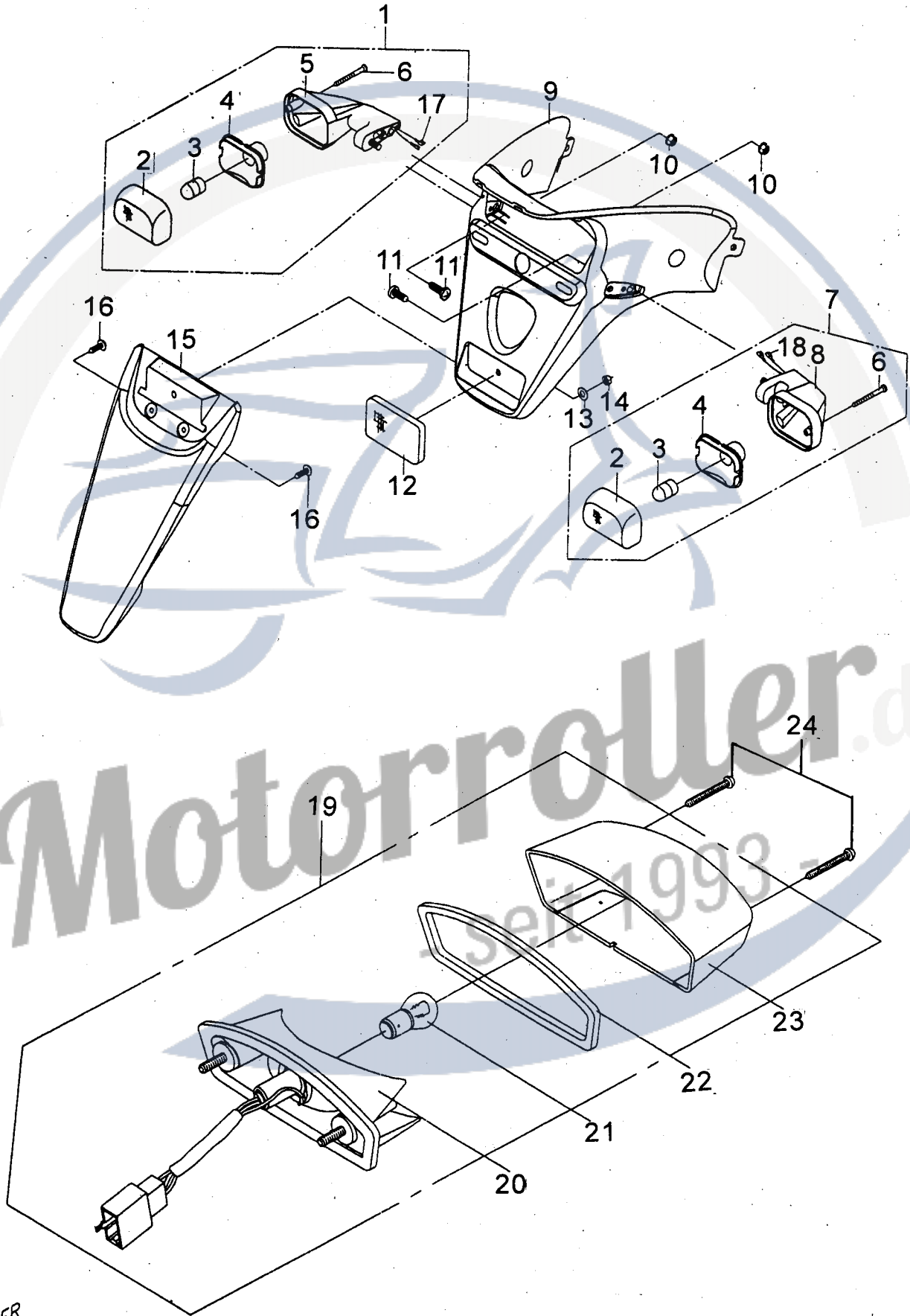
FR. ←

Item	Part No.	QTY	Part Name	Remark
1	P0581600000	1	Wire Harness	FOR 110cc
1	P2581601000	1	Wire Harness	FOR 50cc
1A	P5581650000	1	Wire For Rear Brake	FOR PMS 30
2	P25510010001	1	Ignition Switch Assy	
3	P155B010000	2	Key	
4	P155B020000	1	Switch Indicated Cove	
5	90190601001	2	Hexagon Flange Bolt	
6	P1583600000	1	Horn	
7	E1706190000	2	Screw, With Washer	
8	P15866000001	1	Resistor (A)	
9	E9584600000	1	Coil Comp, Ignition	
10	92110500000	1	Spring Washer	
11	90070502000	1	C-R Recess Pan Hd, Tapping	
12	E1581630000	1	Fuse	
13	C1581630000	1	Starter Relay And Supportor	FOR 110cc
13	P9581000000	1	Starter Relay And Supportor	FOR 50cc
14	C1581010000	1	Starter Relay Comp	FOR 110cc
14	P9581000000	1	Starter Relay Comp	FOR 50cc
15	P9701190000	1	Rubber Bracket	
16	P1582010000	1	Electronic Ignition Device Assy	
16	P25820100001	1	Electronic Ignition Device Assy	FOR 45KM/H
17	E9582000000	1	CDI Unit Comp	
18	E1584000000	1	Volt Regulator Comp	
19	90190601600	3	Flange Bolt	
20	P1701190000	1	Rubber Bracket	
21	P0586600000	1	Resistor (B)	FOR 110cc
21	P15866000002	1	Resistor (B)	FOR 50cc
22	P2671001000	1	Seat Assy	
22	P26710010005	1	Seat Assy (Black/Red)	NEW PMX SPORT
23	P1681061000	1	Bracket	
24	P1681071000	1	Special Bolt	
25	92040600000	1	Hexagon Flange Nut	
26	P2681001000	1	Luggage Comp	
27	90190601600	4	Flange Bolt	
28	P1681051000	3	Helmet Cushion	
29	E9706420000	1	Spark Plug Tool Set	FOR 110 ONLY
29	P1706541000	1	Tool Parts Assy	50cc ONLY
30	P1706550000	1	10×14 Double Spanner	50cc ONLY
31	P1706560000	1	Box- Spanner, Spark Plug	50cc ONLY
32	P1701170000	1	Screwdriver, Grip Assy	50cc ONLY
33	P1706570000	1	Screwdriver	50cc ONLY
34	P1701180000	1	Tool Kit	50cc ONLY
35	P2601100000	1	MOTUL Paper	FOR PMS 30
35-A	P26030900001	1	Engine Paper	FOR PMS 30

PMS 50/110 FRAME

18

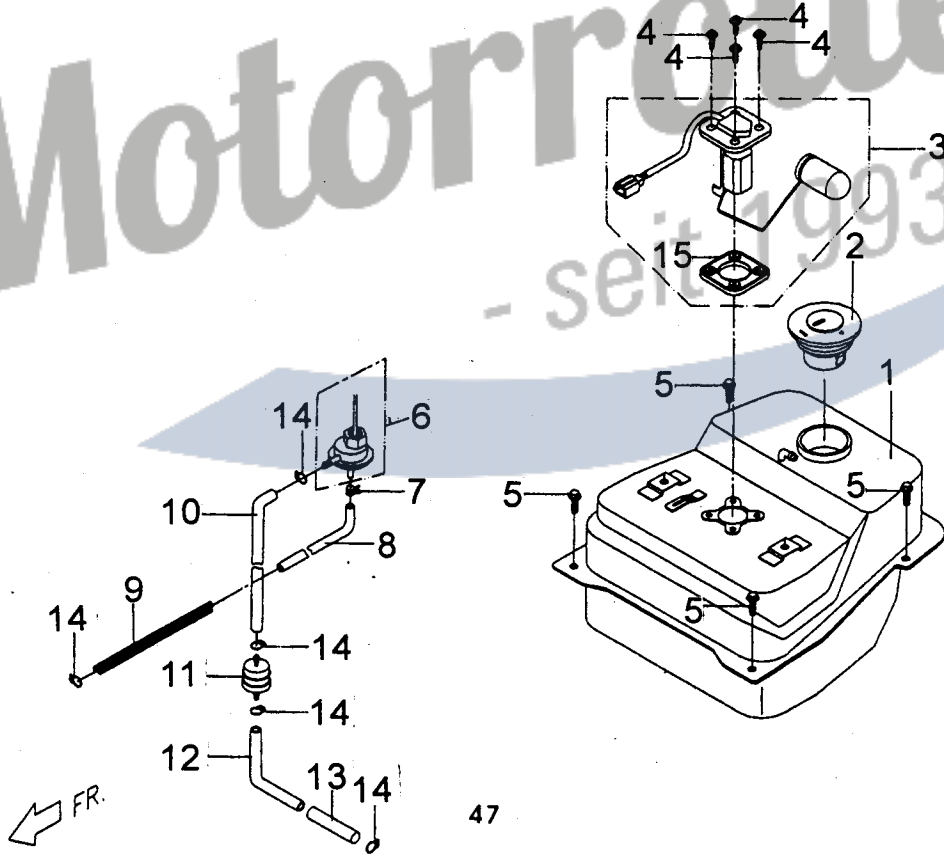
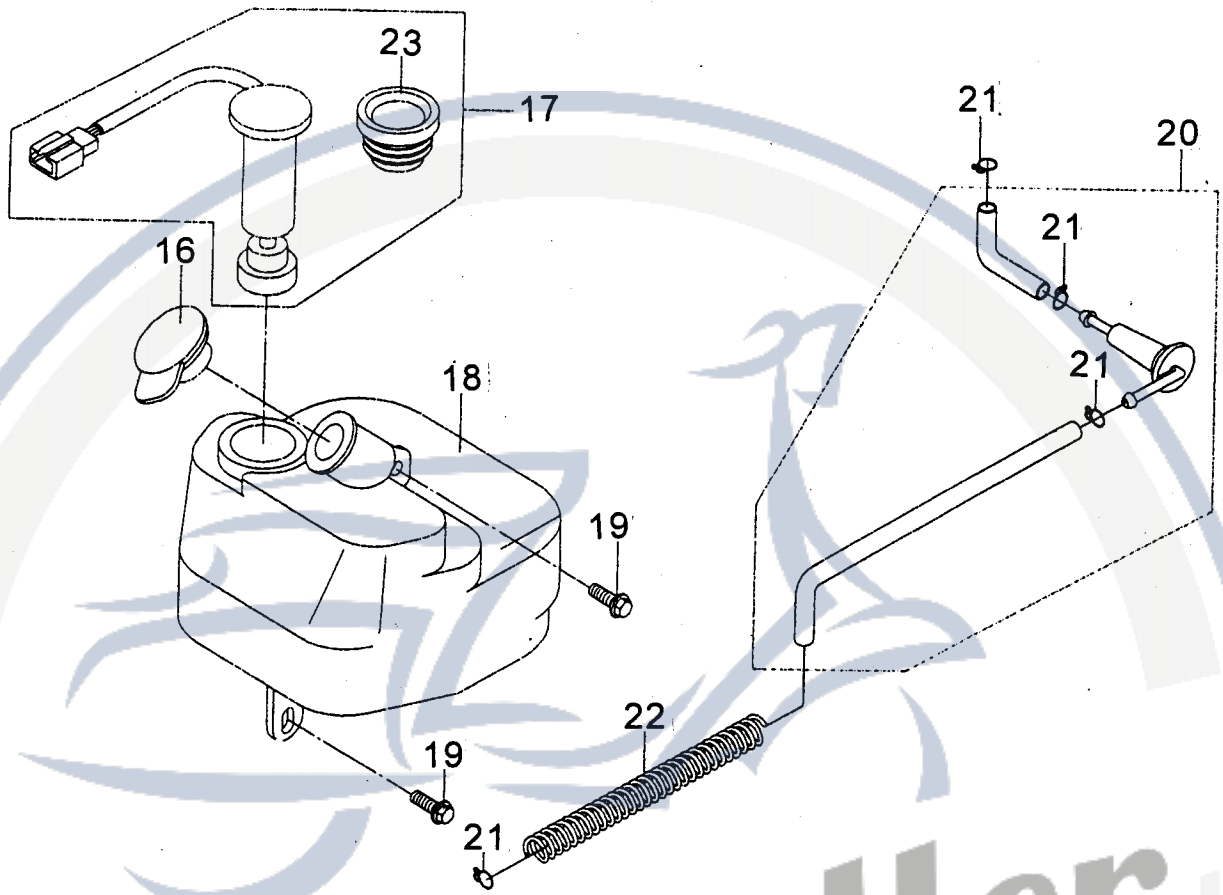
LICENSE PLATE & TAIL LAMP



PMS 50/110 FRAME

19

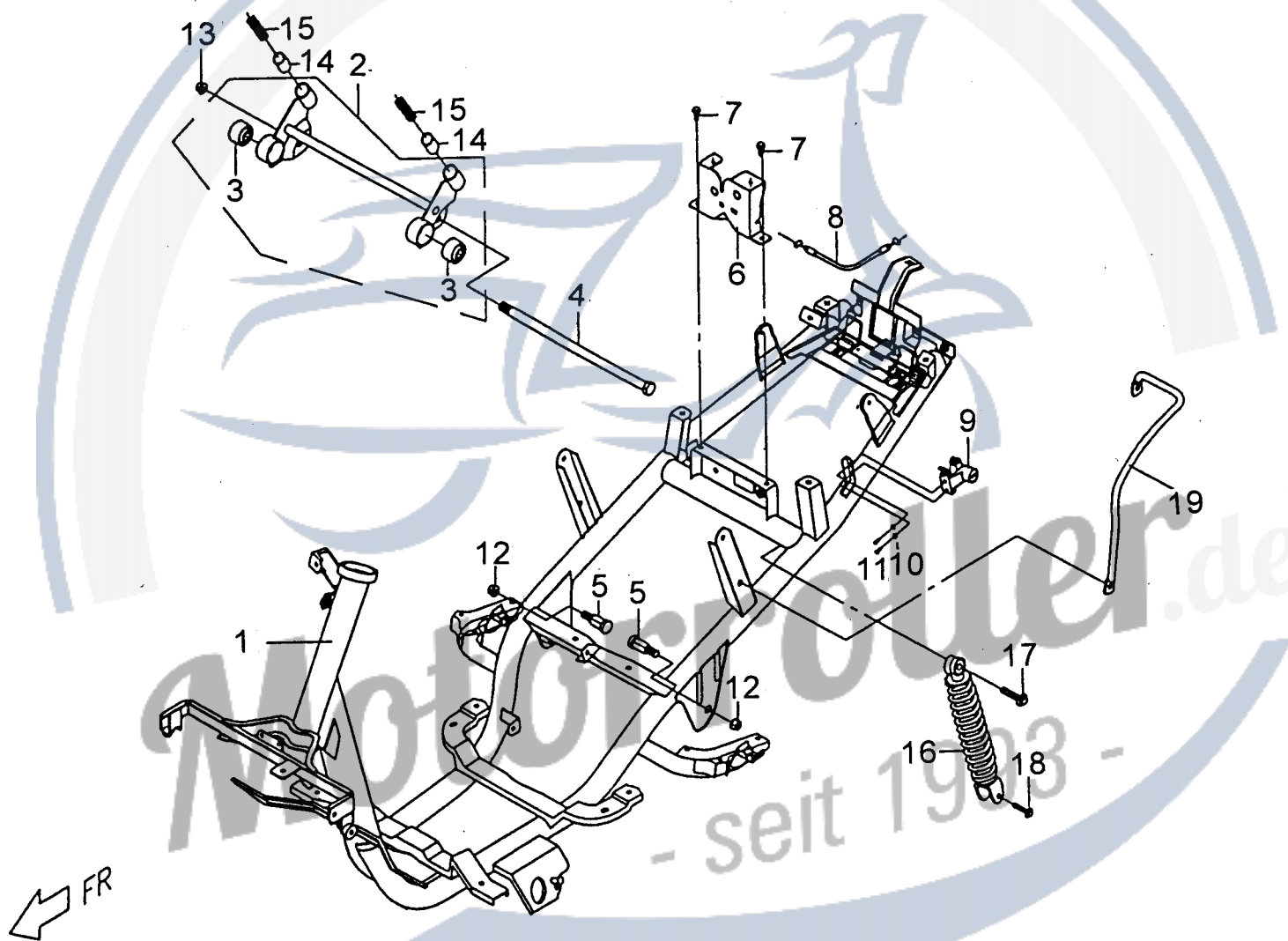
OIL TANK & FUEL TANK



PMS 50/110 FRAME

20

FRAME



Item	Part No.	QTY	Part Name	Remark
1	P84210006001	1	Frame Comp	
2	P1486002000	1	Engine Hanger Comp	FOR 110 cc
2	P2486002000	1	Engine Hanger Comp	FOR 50 cc
3	P1486070000	2	Cushion Rubber	
4	90021228000	1	Hexagon Bolt	
5	P1486010000	2	Bolt	
6	P167A300000	1	Seat Lock Comp	
7	90190601600	2	Hexagon Flange Bolt	
8	P1671120000	1	Seat Lock Lever Cable	
9	P1558000000	1	Seat Lock Assay	
10	92110500000	2	Spring Washer	
11	90020501000	2	Hexagon Bolt	
12	92061000001	2	Hexagon Lock Nut	
13	92061200000	2	Lock Nut	
14	E1486040000	2	Rubber, Damper	
15	E1486050000	2	Spring, Compression	
16	P1481001000	1	Cushion Assay, RR.	FOR 110cc
16	P2481000000	1	Cushion Assay, RR.(Adjustable)	
16	P24810002002	1	Cushion Assay, RR.(Adjustable)	FOR 50cc
17	90191004000	1	Hexagon Flange Bolt	
18	90190803200	1	Hexagon Flange Bolt	
19	P2421300000	1	Handle Frame	
	P0352030000	1	Owner's Manual	English
	P0352040000	1	Owner's Manual	Spanish
	P2352040000	1	Owner's Manual	French
	C1352070000	1	Owner's Manual	Danish
	C1352090000	1	Owner's Manual	German

INDEX

Part No.	Page	Part No.	Page	Part No.	Page
90020501000	50	90200501400	48	95511900000	18
90020602202	8,16,24,32	90200502000	38	95512000001	2
90020802500	14, 30	92011600000	16,30	95512300000	4,20
90020803002	40	92020500000	46	95513600000	10,26
90020803800	14, 30	92040600000	14,30,44,46	95514000001	10,26
90021228000	50	92040700000	6,22	95571525700	2,18
90040500801	30	92040800000	2,18	95571735700	8,24
90040501600	38	92040800001	6	95572038700	2,18
90040601000	14	92041000000	6,10,22,26	95572235700	40
90040601400	42	92041000001	10,26	95572540700	2,18
90040601600	42	92061000000	16,32	95593439300	10,26
90040602001	18	92061000001	38,50	96510620000	2,18
90040602003	42	92061200000	40,50	96510620200	8,24
90040602200	42	92110500000	44,50	96510620300	8,24
90050500900	8,24	92110600000	20	96520620100	40
90050501200	36	92110800000	14,30	96520690100	10,26
90070502000	44	92140500014	38,46	96530600300	2,18
90110401200	6,22,38,46	92140600000	18	96530620400	2,18
90110401600	34	92140600005	42	96590162200	6
90110502500	14	92140600008	10,26	96590182400	22
90130501400	34,38,42	92140700001	4,20	96600141800	22
90150501600	34, 42	92140800000	14,30	96601001400	6
90150502500	30	92140800001	2,18	99010500000	40
90170602901	6, 22	92141000000	10,26	99010600000	40
90170713700	22	92141000001	10,26	C1123300000	26
90180602000	2,6,8,14 18,22,24,30	92141000002	36	C1123330000	26
90180602500	8,14,24,30	92141400000	10,26	C1123420000	26
90190601001	20,40,44	92141400003	8,24	C1123430000	26
90190601200	14,30,48	92141700001	16,30	C1352070000	50
90190601201	2,6,22	92141900001	40	C1352090000	50
90190601500	22,42	92141900002	40	C1402500000	40
90190601600	44,50	92162400000	10,26	C1403300000	40
90190602000	14,30,42	92163500000	18	C1403510000	40
90190602500	4,20	92163800000	2	C140C310000	40
90190602700	2,18	92164700000	2,18	C140C320000	40
90190603000	4,20	92171400000	10,26	C1443010000	40
90190603500	2,8,24	92171700000	2,18	C1544010000	40
90190603502	8,24,42	92171800000	40	C1544020000	40
90190604500	2,18	92180500000	10	C1581010000	44
90190606000	2,18	92180700000	26	C1581630000	44
90190608001	20	92341007001	48	C16030000001	38
90190608600	4	92370500003	34,42	C2403502000	40
90190801200	2,18	92400800000	40	C2616000000	38
90190803200	50	93530302400	6,22	C261F010000	36
90190804501	42	93541001401	8,24	C261F020000	36
90191002800	16,32	93541002300	2,18	C5402300000	40
90191004000	50	93550500800	2	C540G320000	30
90191004600	38	95510800000	2,18	D12000230100	12
		95511300001	2,18	D1783TB30100	12

INDEX

Part No.	Page	Part No.	Page	Part No.	Page
D1900TB30100	12	E1222000000	6,22	P0042100000	22
D1901TB30100	12	E12220000002	22	P0043000000	22
D1904TB30100	12	E1241000000	2	P0061010000	18
D1905KE90100	12	E1242000000	2	P0061041000	18
D1906F010200	12	E1251000000	10	P0062010000	18
D1906GAK0100	12	E1251010000	10	P0063010720	24
D1912KAC0100	12	E1251020000	10	P0064011000	22
D1920K310100	12	E1251101000	10,26	P0064110000	22
D1930F010100	12	E1251120000	10, 26	P0065011000	22
D1931GAK0100	12	E1251240000	8, 24	P0065110000	22
D1999F0101KT	12	E1403512000	40	P0066001000	22
D1999KAC0300	12	E14074000001	16	P0066011000	22
D1999TB30100	12	E14074000002	16, 30	P0066021000	22
D199KTB30100	12	E1407410000	16, 30	P0066120000	22
D199KTB30200	12	E1407420000	16, 30	P0067010000	22
D19KT0010300	28	E1407440000	16, 30	P0067110000	22
D19KT0010800	28	E1407450000	16, 32	P0067150000	22
D19KT0011800	28	E1407460000	16, 32	P0067310000	22
D19KT0022000	28	E1461110000	16, 32	P006K0100001	20
D19KT0030700	28	E14611100001	16	P0121050000	26
D19KT0031300	28	E1461120000	16, 32	P0123440000	26
D19KT0031400	28	E1486040000	50	P0123510000	26
D19KT0031500	28	E1486050000	50	P0123520000	26
D19KT0050600	28	E1544410000	16, 32	P012360000	26
D19KT0051900	28	E1544420000	16, 32	P0123701000	26
D19KT0060500	28	E1544440000	16, 32	P01510010000	28
D19KT0061100	28	E1561030000	38	P0241001000	18
D19KT0061200	12,28	E1581630000	44	P0251000000	26
D19KT0061900	28	E15830000002	42	P0251010000	26
D19KT0070200	28	E1584000000	44	P0251020000	26
D19KT0071000	12,28	E1603040000	42	P0261010000	20
D19KT0080100	28	E1621010000	42	P0261100000	20
D19KT0080900	28	E1706020000	48	P0352030000	50
D19KT0091600	28	E1706190000	44	P0352040000	50
D19KT0130400	12	E1706280000	8, 24	P0401101770	40
D19KT0140400	28	E2251110000	10, 26	P04073000001	14, 30
D19KT0161700	28	E9066030000	22	P0541000000	36
D19KT0262100	28	E9066130000	22	P0542000000	36
D19KT0272100	28	E9242000000	18	P0561000000	38
D38920400818	12	E9281020000	14, 30	P0566001000	40
D38920401418	12	E946200000	32	P0581600000	44
D500535070KT	12	E9582000000	44	P0586600000	44
E1042200000	6	E95830000001	42	P066C010650	38
E1062020000	14,30	E9584600000	44	P066C0106501	38
E1062100000	6,22	E966A010000	34	P066C020000	38,46
E1062130000	2,18	E9706420000	44	P066C030000	38, 46
E1067150000	6	KP663130000	38	P066C040000	38, 46
E10673100001	6	KP706370000	48	P066D010650	38
E1123140000	10,26	P0042000000	22	P066D0106501	38

INDEX

Part No.	Page	Part No.	Page	Part No.	Page
P066D010660	38	P10812100000	2	P1242210000	10
P066D0106601	38	P1081301000	2	P1251030000	10
P066G010650	46	P1121050000	10	P1251200000	8, 24
P066G0106501	46	P1121060000	10	P1261010000	4
P066G010660	46	P11210800001	10	P1261020000	2, 20
P066G0106601	46	P1121101000	10	P12611000001	4
P066H010650	46	P1121200000	10	P12611000002	4
P066H0106501	46	P11212000001	10	P1261101000	4
P066H010660	46	P11212000003	26	P12613000001	4, 20
P066H0106601	46	P1121310000	10	P1261310000	4, 20
P06760111E0	42	P1121320000	10	P12620000001	14
P0676011770	42	P1122000000	10	P1262080000	14, 30
P1042001000	6	P1123110000	10	P1262110000	14, 30
P10421000001	6	P1123210000	10	P1401010000	40
P1042102000	6	P1123240000	10	P1402400000	40
P1042110000	6	P1123300000	10	P1403810000	36
P1043000000	6	P1123330000	10	P1407104770	16
P1061010000	2	P1123410000	10	P14073000001	14
P1061040000	2	P1123420000	10	P1407430000	2, 18
P1061050000	6	P1123430000	10	P1407471000	16, 32
P10610500001	6	P1123441000	10	P1407481000	16
P1062010000	2	P1123510000	10	P1407482000	32
P1062020000	2	P1123520000	10	P140B330000	30, 40
P1062020000	18	P1123530000	10	P140B3300001	16
P1062150000	2	P11235300001	10	P140C010000	36
P1062150000	18	P11235300002	10	P140C110000	36
P10630116001	8	P11237000001	10	P140C120000	36
P10630117201	8	P11237000002	10	P140C130000	36
P1063020000	8	P1123701000	10	P140C180000	36
P10630200001	8	P1141010000	8, 24	P140C220000	36
P1063030000	8, 24	P1141020000	8, 24	P140C230000	36
P1063060000	8	P1141101000	8	P140C240000	36
P1064010000	6	P1141200000	8	P140C250000	36
P10640100001	6	P1141230000	8, 24	P1421480000	42
P1064110000	6	P1141302000	8	P1443020000	40
P1065010000	6	P11510010001	12	P1443030000	40
P1065011000B	6	P11510010002	12	P1443040000	40
P1065110000	6	P1221000000	22	P1443070000	40
P1066000000	6	P12210000002	6	P1461003000	32
P1066010000	6	P12210000003	6	P1461120000	16, 32
P1066020000	6	P1221010000	22	P1461140000	16, 32
P1066030000	6	P12210100003	6	P1462001600	16, 32
P1066120000	6	P1221020000	22	P146A011000	16, 32
P1067010000	6	P12210200003	6	P1481001000	50
P1067110000	6	P1222000000	22	P1486002000	50
P106K010000	4	P12220000002	6	P1486010000	50
P10810010000	2	P1242100000	2, 18	P1486020000	2, 18
P10810110000	2	P1242111000	2, 18	P1486070000	50
P10811000000	2	P1242200000	10	P15210006001	48

INDEX

Part No.	Page	Part No.	Page	Part No.	Page
P1521210000	48	P167A300000	50	P2521300000	48
P1521700000	48	P1681051000	44	P2522501000	48
P1522202000	48	P1681061000	44	P2522700000	48
P1522300000	48	P1681071000	44	P252B010000	48
P1523001000	48	P1701070000	16, 32	P2543300000	36
P1526011000	48	P1701170000	44	P2543600000	36
P15260400001	48	P1701180000	44	P2548001000	36
P1526041000	48	P1701190000	44	P25510010001	44
P152A150000	48	P1706270000	20	P25610000001	38
P1543390000	16, 32	P1706400000	4, 20	P256A010000	38
P1544003000	38	P1706510000	34	P2581601000	44
P1544010000	38, 40	P1706541000	44	P25820100001	44
P1544401000	16, 32	P1706550000	44	P2586010000	38
P1544602000	36	P1706560000	44	P2586011000	38
P1546003000	36	P1706570000	44	P2601010000	34
P154F010000	36	P1706611000	48	P2601050000	34
P154F020000	36	P1706630000	16, 32	P2601090000	38
P154F030000	36	P2262001000	14, 30	P2601100000	44
P154F040000	36	P22620010001	14	P2601130000	34
P154F050000	36	P2262010000	14, 30	P2601140000	42
P154F060000	36	P2262020000	14, 30	P2601150000	42
P154F220000	36	P2262030000	14, 30	P2601160000	34
P154F310000	36	P2262040000	30	P2601170000	34
P154F390000	36	P2262060000	14, 30	P2601180000	34
P154F400000	36	P2262120000	14	P2601190000	42
P154H010000	36	P226B040000	14	P2601200000	42
P154H020000	36	P226B050000	14, 30	P2601280000	42
P154H030000	36	P226B060000	14, 30	P26012800001	42
P154H060000	36	P226B070000	14, 30	P2601290000	42
P154H170000	38	P22810000001	14	P26012900001	42
P154H180000	38	P22810000002	14	P2601300000	38
P1558000000	50	P22810000006	14	P26013000001	38
P155B010000	44	P22810000008	14	P2601310000	38
P155B020000	44	P2281003000	14	P26013100001	38
P1566001000	40	P22810107G0	14, 30	P2601320000	40
P1566040000	40	P2352040000	50	P2601330000	40
P1566050000	40	P24030010002	36	P2601340000	42
P1582010000	44	P2403500000	40	P26013400001	42
P15830100001	42	P24036000001	36	P2601350000	34
P1583600000	44	P2421300000	50	P26013500001	34
P15866000001	44	P24430037202	40	P2601360000	34
P15866000002	44	P24430037203	40	P26013600001	34
P1621010000	34	P244C2000002	40	P26030900001	44
P16210110001	34	P244C2100002	40	P2612000730	38
P166A030000	34	P244C2200002	40	P2613001000	38
P166C060000	38	P2461002600	16	P2614001660	38
P166C060000	46	P2481000000	50	P2616000000	38
P166G050000	46	P24810002002	50	P261F010000	36
P1671120000	50	P2486002000	50	P261F020000	36

INDEX

Part No.	Page	Part No.	Page	Part No.	Page
P2621000000	34	P2706020000	42		
P2622000000	34	P2706030000	8		
P2623000000	34	P5544010000	40		
P2623010000	34	P5581650000	44		
P2624000000	42	P82810000001	30		
P2624010900	42	P8401101770	40		
P2624020900	42	P8402400000	40		
P2624030000	42	P8407100770	16, 30		
P2625010000	42	P84210006001	50		
P2625020000	42	P8544600000	36		
P2625040000	42	P9063020000	24		
P2625300000	42	P9063060000	24		
P2625500000	42	P9081000000	18		
P2625700000	42	P90810000000	18		
P2626000000	34	P9081010000	18		
P2626010000	34	P9081200000	20		
P262D010900	42	P9081211000	18		
P262D020900	42	P9081300000	20		
P26320000001	40	P9121060000	26		
P2634000000	30	P9121101000	26		
P2634000650	14	P9121310000	26		
P2634020000	14	P9121320000	26		
P2634020000	30	P9122000000	26		
P2635000660	46	P9123100000	26		
P2636001660	46	P9123200000	26		
P2661000000	34	P9123240000	26		
P26610000001	34	P9123410000	26		
P2666000000	46	P9123530000	26		
P26660000001	46	P91411000001	24		
P2669000000	46	P91412000001	24		
P266A010000	34	P9141301000	24		
P266A030000	34	P9242201000	26		
P266A0300001	34	P9242210000	26		
P266A0600001	34	P9251030000	26		
P266A080000	34	P928A060000	14		
P266A0800001	34	P928A0600001	30		
P266A1200001	34	P9402300000	40		
P266F020000	46	P94073000002	14, 30		
P266F030000	46	P9581000000	44		
P266F050000	46	P9701190000	44		
P266F050000	46				
P266F060000	46				
P266G030000	46				
P266G040000	46				
P2671001000	44				
P26710010005	44				
P2681001000	44				
P2701010000	38				
P2701210660	42				