



COMET

Motorroller.de
- seit 1993 -

P.G.O. COMET CATALOGO DE RECAMBIOS 1992

Fig1 FAN-COOLING HOOD
CYLINDER-CYLINDER HEAD
GENERATOR

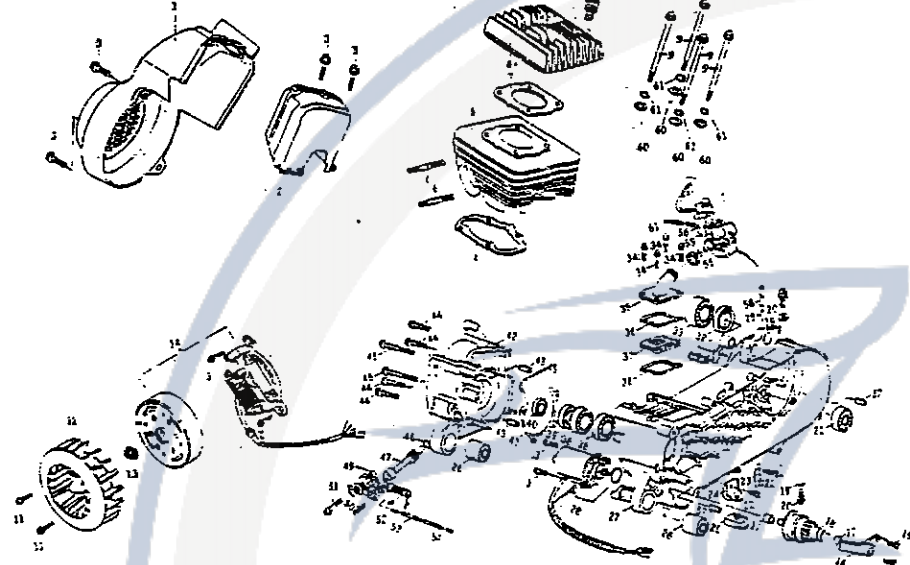


Fig3 PISTON-CRANK SHAFT
DRIVE FACE

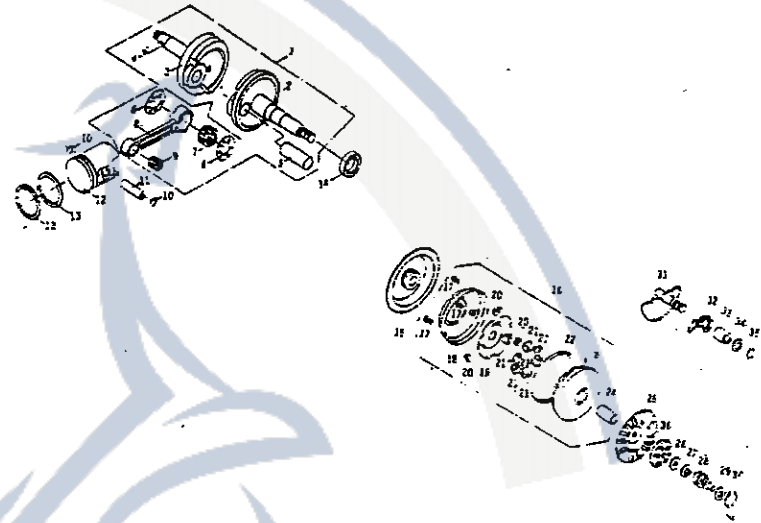


Fig2 MUFFLER
REAR WHEEL

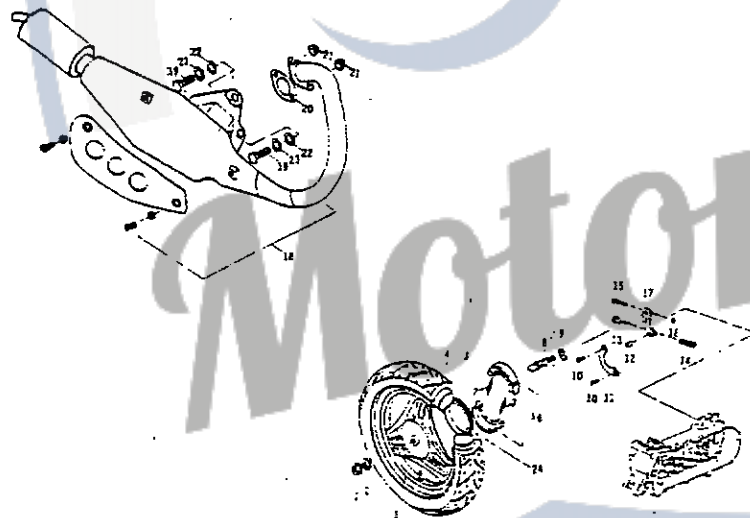


Fig4 TRANSMISSION-LH COVER KICK-STARTER
DRIVEN PULLEY

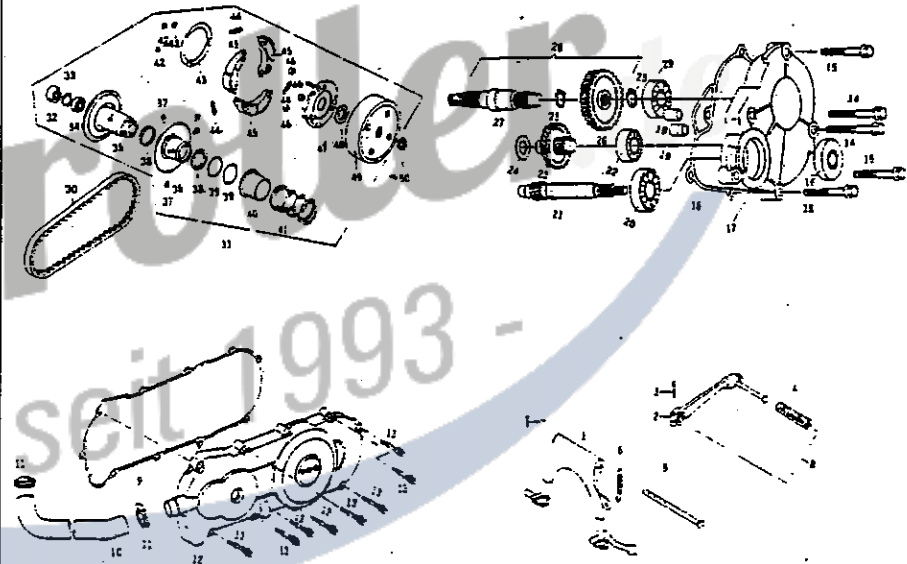


Fig5 FUEL TANK FUELGAUGE
OIL-TANK OIL GAUGE AIR CLEANER

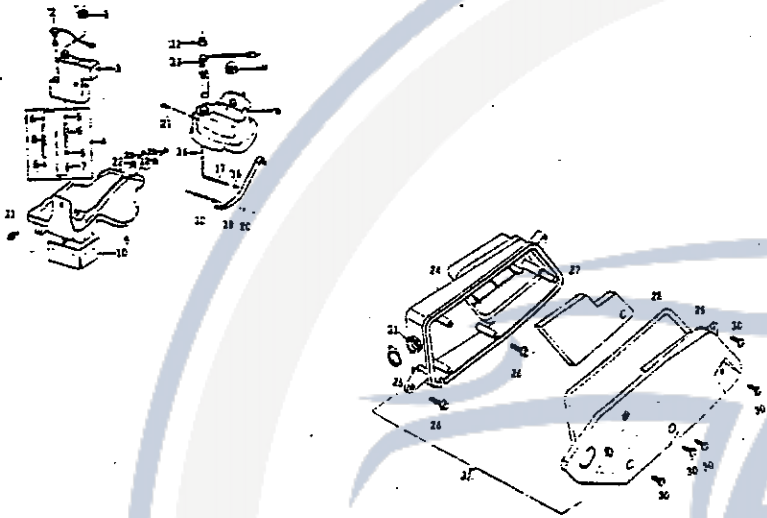


Fig7 L.H./R.H BDDY COVER
BDDY CENTER COVER
LUGGAGE TANK



Fig6 FRAME
SEAT-CARRIER-LUGGAGE

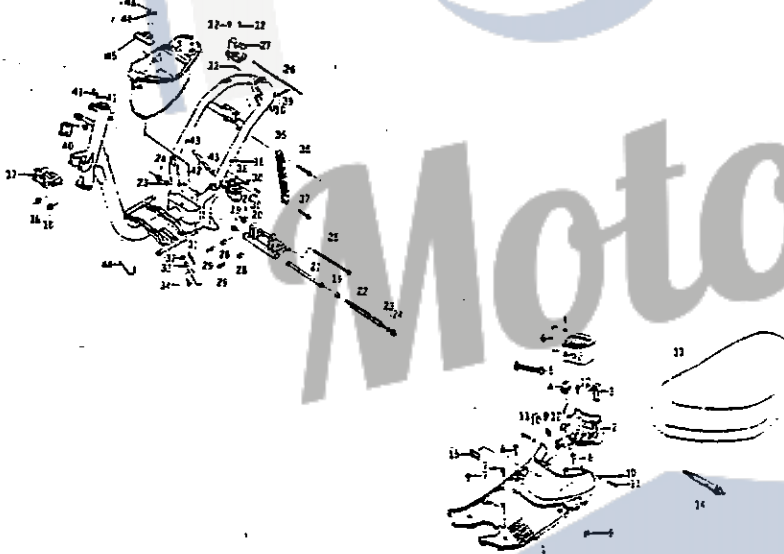


Fig8 FRONT FORK-CUSHION
FRON WHEEL
CALIPER



Fig9 HANDLE BAR L.H./R.H BACK MIRROR SPEEDOMETER HEADLAMP L.H./R.H MAIN SWITCH-TRANSMISSION

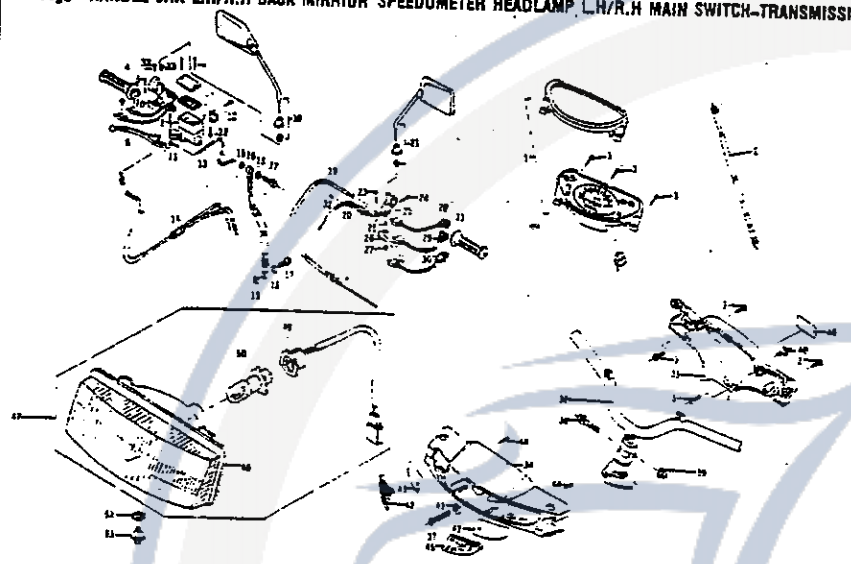
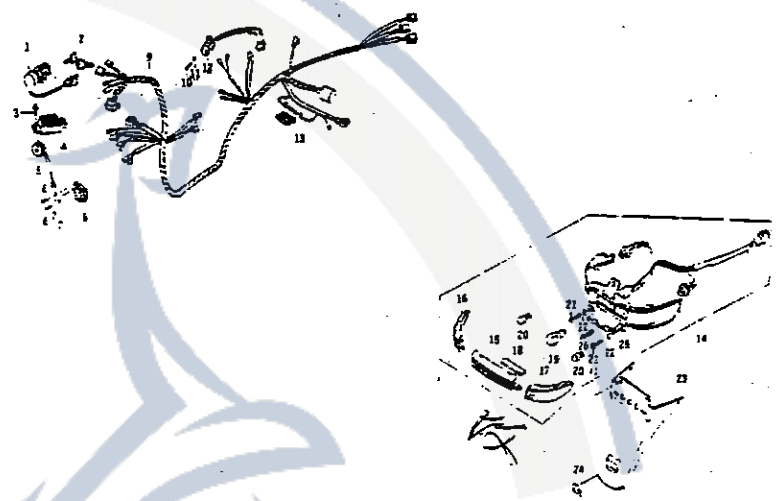


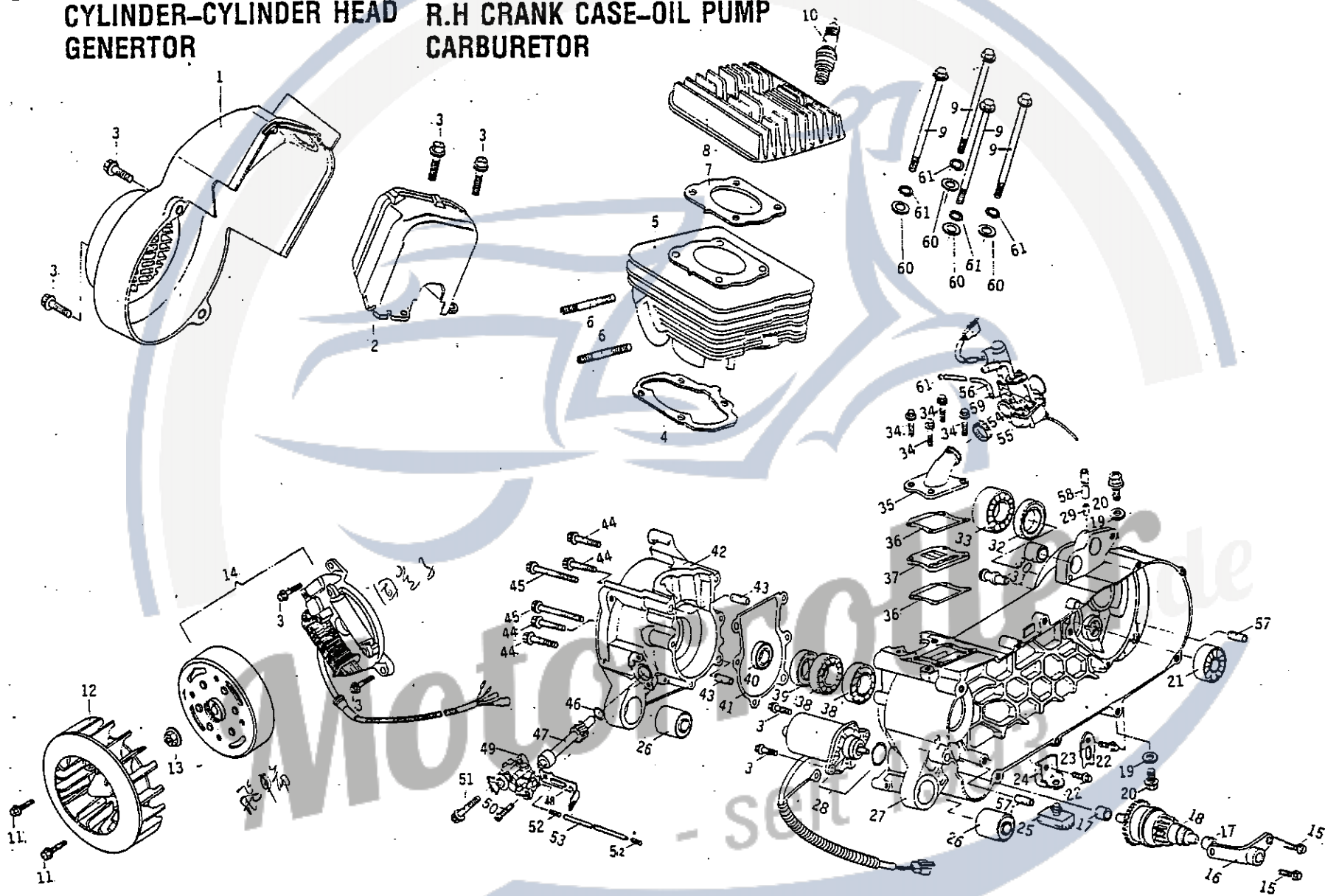
Fig10 WIRE-HARNESS TAIL-LAMP



Motorroller.de
- seit 1993 -

Fig1 FAN-COOLING HOOD
CYLINDER-CYLINDER HEAD
GENERTOR

L.H CRANK CASE
R.H CRANK CASE-OIL PUMP
CARBURETOR



F. 8 1

Fig No	Part No.	Quantity	Part Name	Part Name	Remark
項目	零件號碼	數量	零件英文名稱	零件中文名稱	備註
1	B1E10400200	1	FAN COVER	TAPA VENTILADOR	
2	B2E10400303	1	COOLING COWL	TAPA REFRIGERACION	
3	B4000025823	8	HEXAGON FLANGE BOLT	TORNILLO HEXAGONAL DE BRIDA	
4	B4E10601603	1	CYLINDER GASKET	JUNTA DE CILINDRO	
5	B1E10600101	1	CYLINDER	CILINDRO	
6	B4000013299	2	STUD BOLT	ESPARRAGOS	
7	B4E10601506	1	GASKET, CYLINDER HEAD	JUNTA DE CULATA	
8	B2E10600701	1	CYLINDER HEAD	CULATA	
9	B4000012560	4	HEXAGON FLANGE BOLT	TORNILLO HEXAGONAL DE BRIDA	
10	B4E12200100	1	IGNITION PLUG	BUJIA	
11	B4000043864	2	HEXAGON FLANGE BOLT	TORNILLO HEXAGONAL DE BRIDA	B4-4071
12	B2E10400109	1	FAN	VENTILADOR	
13	BS20401000A	1	HEXAGON FLANGE NUT	TORNILLO HEXAGONAL DE BRIDA	
14	B2E122001A9	1	A.C. GENERATOR ASSY	ENCENDIDO	
15	B4000025386	2	CR PAN HD MACHINE SCREW	TORNILLO PLETINA MOTOR ARRANQUE	
16	B4E1240040A	1	FIXING PLATE	PLETINA DE FIJACION	
17	B4000011792	2	BUSH	CASQUILLO	
18	B300001073A	1	IDLE GEAR COMP, STARTER	ENGRANAJE AUT. COMPLETO	
19	B4E11401306	2	PLAIN WASHER	ARANDELA PLANA	
20	B4000040989	2	HEXAGON FLANGE BOLT	TORNILLO HEXAGONAL DE BRIDA	
21	BS651153005	1	BALL BEARING	COJINETE DE BOLAS	
22	B4000025912	2	HEXAGON FLANGE BOLT	TORNILLO HEXAGONAL DE BRIDA	
23	B4000012578	1	CLAMP, RR BRAKE CABLE	PLETINA SUJE. CABLE FRENO TRASERO	
24	B3000011087	1	BRACKET, RUBBER PAD	SOPORTE TOPE DE GOMA	
25	B4E10603304	1	RUBBER DAMPING, CENTRAL STAND	GOMA TOPE CABALLETE CENTRAL	

打針

打針

81.10.22

Fig1 FAN-COOLING HOOD
CYLINDER-CYLINDER HEAD
GENERATOR

L.H CRANK CASE
R.H CRANK CASE-OIL PUMP
CARBURETOR

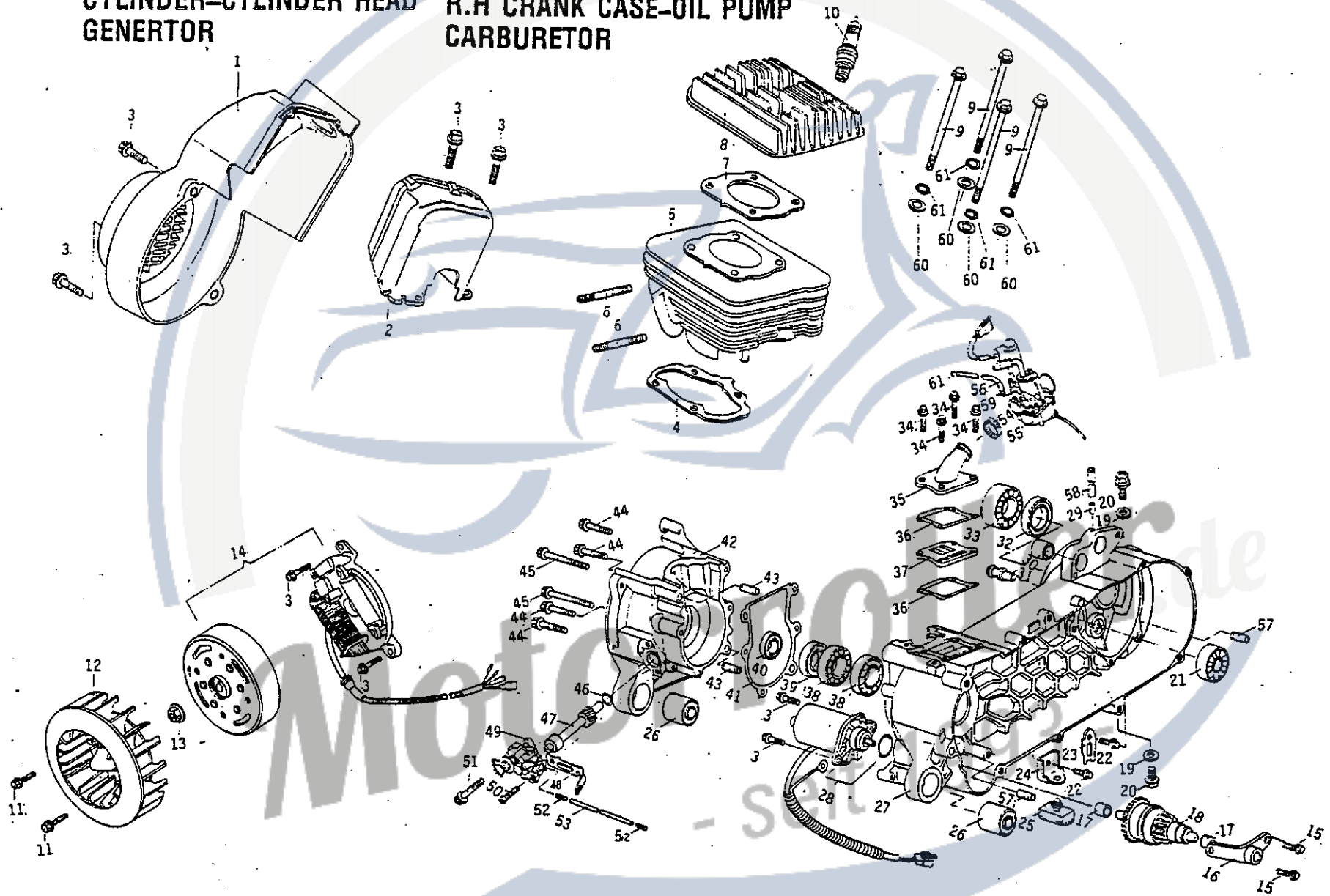


Fig 1

Fig No	Part No.	Quantity	Part Name	Part Name	Remark
項目	零件號碼	數量	零件英文名稱	零件中文名稱	備註
26	B4000012390	2	RUBBER BUSH	SILENTBLOCK	
27	B0E10601004	1	LH CRANKCASE	CARTER IZQUIERDO	
28	B3000010650	1	MOTOR COMP, STARTER	MOTOR ARANQUE COMP.	
29	B4000034652	1	AIR HOSE	BOQUILLA RESPIRADERO	
30	B4000012381	1	RUBBER BUSH	CILINDRO DE GOMA	
31	B4E14000701	1	PIVOT ,RR BRAKE SHOE	PIVOTE ZAPATAS FRENO TRASERO	
32	B4E10602103	1	OIL SEAL TC TYPE	RETEN TIPO TC	
33	BS653086003	1	BALL BEARING, DOUBLE SEALED	COJINETE DE BOLAS DOBLE	
34	B4000025858	4	HEXAGON FLANGE BOLT	TORNILLO HEXAGONAL DE BRIDA	
35	B2E12601101	1	INTAKE MANIFOLD	TOBERA DE ADMISION	
36	B4E1060170A	2	GASKET, REED VALVE	JUNTA VALVULA DE LAMINAS	
37	B4E126001A0	1	REED VALVE COMP	VALVULA DE LAMINAS COMPLETA	
38	B3E10600201	2	BALL BEARING	CÔJINETE DE BOLAS	
39	B4E10600607	1	OIL SEAL TC TYPE	RETEN TIPO TC	
40	B4E1060220A	1	OIL SEAL SC TYPE	RETEN TIPO TC	
41	B4E10603401	1	CRANKCASE GASKET	JUNTA DE CARTER	
42	B0E10601209	1	RH CRANKCASE	CARTER DERECHO	
43	B4E10602901	1	LOCK PIN	PERNO	
44	B4000025874	4	HEXAGON FLANGE BOLT	TORNILLO HEXAGONAL DE BRIDA	
45	B400002799A	2	HEXAGON FLANGE BOLT	TORNILLO HEXAGONAL DE BRIDA	
46	B4E10800401	1	PLAIN WASHER	ARANDELA PLANA	
47	B3E1080020A	1	DRIVING SHAFT, OIL PUMP	EJE TRANSMISION BOMBA ACEITE	B3E10800219
48	B3E10800308	1	FIXED PLATE, OIL PUMP COAD	SOPORTE BOMBA ACEITE	
49	B2E108001A9	1	OIL PUMP ASSY	CUERPO BOMBA ACEITE	
50	BS00410400A	1	CR PAN HD MACHINE SCREW	TORNILLO	

改裝No. V

81-075, 81.2.6

Fig1 FAN-COOLING HOOD
CYLINDER-CYLINDER HEAD
GENERATOR

L.H CRANK CASE
R.H CRANK CASE-OIL PUMP
CARBURETOR

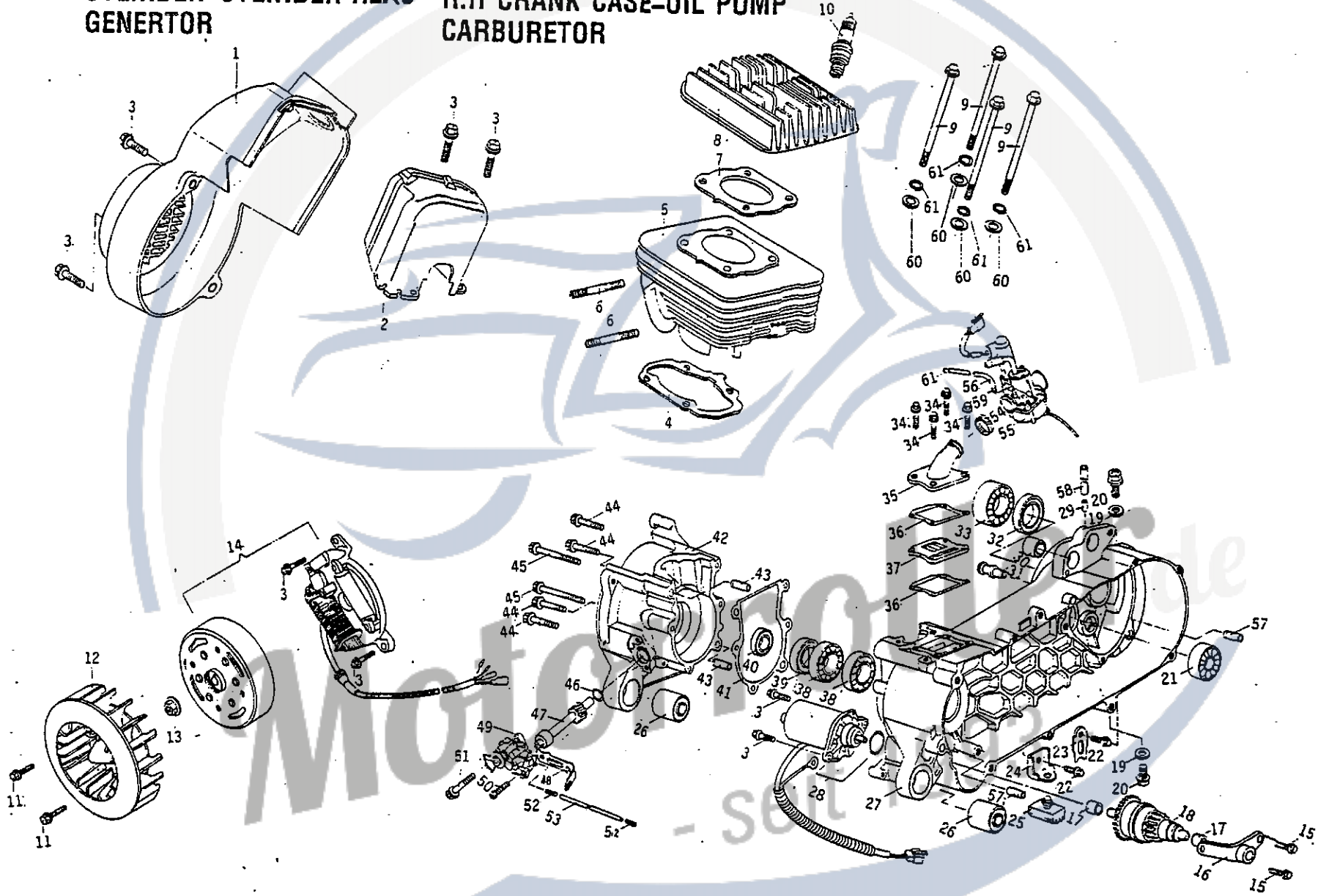


Fig2 MUFFLER
REAR WHEEL

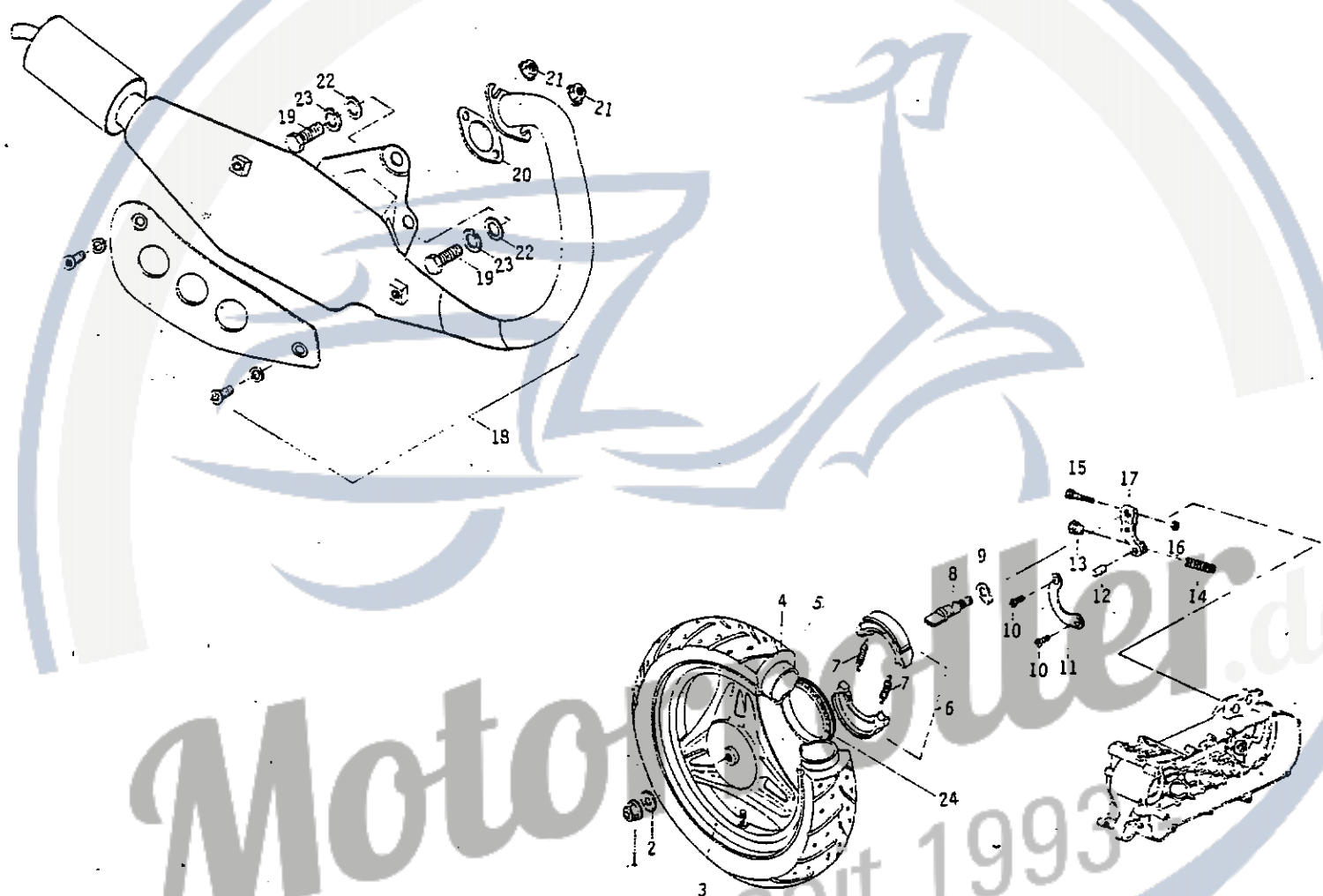


Fig 2

Fig No	Part No.	Quantity	Part Name	Part Name	Remark
項目	零件號碼	數量	零件英文名稱	零件中文名稱	備註
1	B4000012551	1	U TYPE NUT	TUERCA TIPO V	
2	B4000012691	1	PLAIN WASHER	ARANDELA PLANA	
3	B1E140006A7	1	RR WHEEL COMP	LLANTA TRASERA COMPLETA	B9E140046A3 總裝
4	B9000010097	1	OUTER TYRE	CUBIERTA	
5	B9000010089	1	INNER TUBE	CAMARA	
6	B4E140011A6	1	BRAKE SHOE ASSY	CONJUNTO ZAPATAS FRENO	
7	B4E14001007	2	SPRING, BRAKE SHOE	MUELLE ZAPATAS FRENO	
8	B4E14002500	1	CAM, RR BRAKE	LEVA FRENO TRASERO	
9	B4E14002801	1	INDICATOR, RR BRAKE	INDICADOR FRENO TRASERO	
10	BS010114000	2	CR OVAL HD MACHINE SCREW	TORNILLO CABEZA OVAL	
11	B4E10601905	1	BEARING PLATE	PLETINA COJINETE	
12	B4E15403001	1	PIN	PÉRNO	
13	B4E1540290A	1	ADJUST NUT, CABLE	TUERCA DE AJUSTE CABLE	
14	B4E1400370A	1	SPRING, RR BRAKE ARM	MUELLE DE PALANCA FRENO TRASERO	
15	B4000025297	1	HEXAGON BOLT	TORNILLO HEXAGONAL	
16	B400002608A	1	HEXAGON NUT	TUERCA HEXAGONAL	
17	B3E14002608	1	ARM, RR BRAKE COMP	PALANCA FRENO TRASERO COMPLETO	
18	B0E128001A3	1	MUFFLER ASSY	TUBO DE ESCAPE	
19	B4000012624	2	HEXAGON BOLT	TORNILLO HEXAGONAL	
20	B4000020864	1	GASKET, MUFFLER	JUNTA DE ESCAPE	
21	BS204003004	2	HEXAGON NUT FLANGE	TUERCA HEXAGONAL DE BRIDA	
22	BS214010009	2	PLAIN WASHER	ARANDELA PLANA	
23	B4000026200	2	SPRING WASHER	ARANDELA DE PRESION	
24	B4E14003905	1	SHIELD RING	ARO PROTECTOR	

Fig3 PISTON-CRANK SHAFT
DRIVE FACE

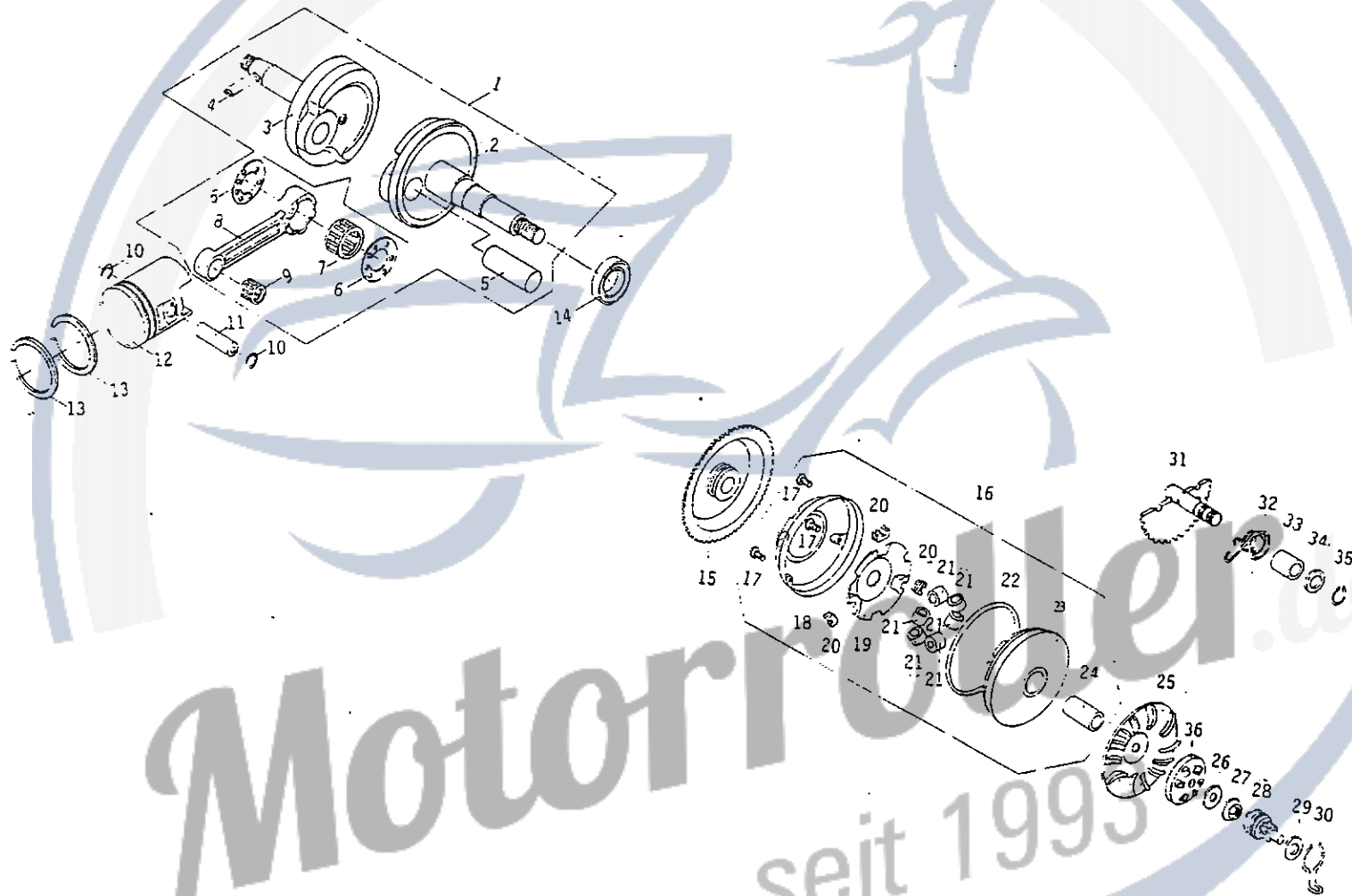


Fig 3

Fig No	Part No.	Quantity	Part Name	Part Name	Remark
項目	零件號碼	數量	零件英文名稱	零件中文名稱	備註
1	B3E106003AA	1	CRANKSHAFT COMP	CIGUEÑAL COMPLETO	
2	B3E10600406	1	LH CRANKSHAFT	CIGUEÑAL IZQUIERDO	
3	B3E10600503	1	RH CRANKSHAFT	CIGUEÑAL DERECHO	
4	B4000037783	1	WOODRUFF KEY	CHAVETA	
5	B400001183A	1	CRANK PIN	BULON CIGUEÑAL	
6	B4000011822	2	SHOULDER WASHER	ARANDELA DE CENTRAJE	
7	BS659018000	1	BEARING CAGE	COJINETE DE AGUJAS	
8	B300001090A	1	CONNECTING ROD	VIELA	
9	BS660008000	1	BEARING CAGE	COJINETE DE AGUJAS	
10	B4000031238	2	CLIP, PISTON PIN	SEGURO BULON PISTON	
11	B4000012047	1	PISTON PIN	BULON PISTON	
12	B2E10601309	1	PISTON	PISTON	
13	B4000012055	2	PISTON RING(1)	ARO (1)	
14	B4E10600607	1	OIL SEAL TC TYPE	RETEN	
15	B3E12400102	1	DRIVEN GEAR, STARTER	CORONA DE ARRANQUE	
16	B3E112001A1	1	DRIVING FACE ASSY, MOVABLE	CARA CONDUCTORA MOVIL	
17	BS007075001	3	CR TRUSS HD MACHINE SCREW	TORNILLO CIERRE MECANISMO	
18	B4E11200602	1	COVER, MOVABLE DRIVING FACE	TAPA CARA CONDUCTORA MOVIL	
19	B3E11200509	1	RAMP PLATE	PLETINA DE RAMPAS	
20	B4E11204403	3	SLIDE PIECE	DESLIZABLE	
21	B4E112040A6	6	WEIGHT ROLLER COMP	RODILLOS COMPLETOS	
22	B4E11204306	1	O RING	ARO TORICO	
23	B3E112002A9	1	DRIVING FACE COMP, MOVABLE	CARA CONDUCTORA MOVIL COMPLETA	
24	B4E11200700	1	BOSS, MOVABLE DRIVE FACE	EJE DE CARA CONDUCTORA MOVIL	
25	B3E1120080A	1	DRIVE FACE	CARA CONDUCTORA	

**Fig3 PISTON-CRANK SHAFT
DRIVE FACE**

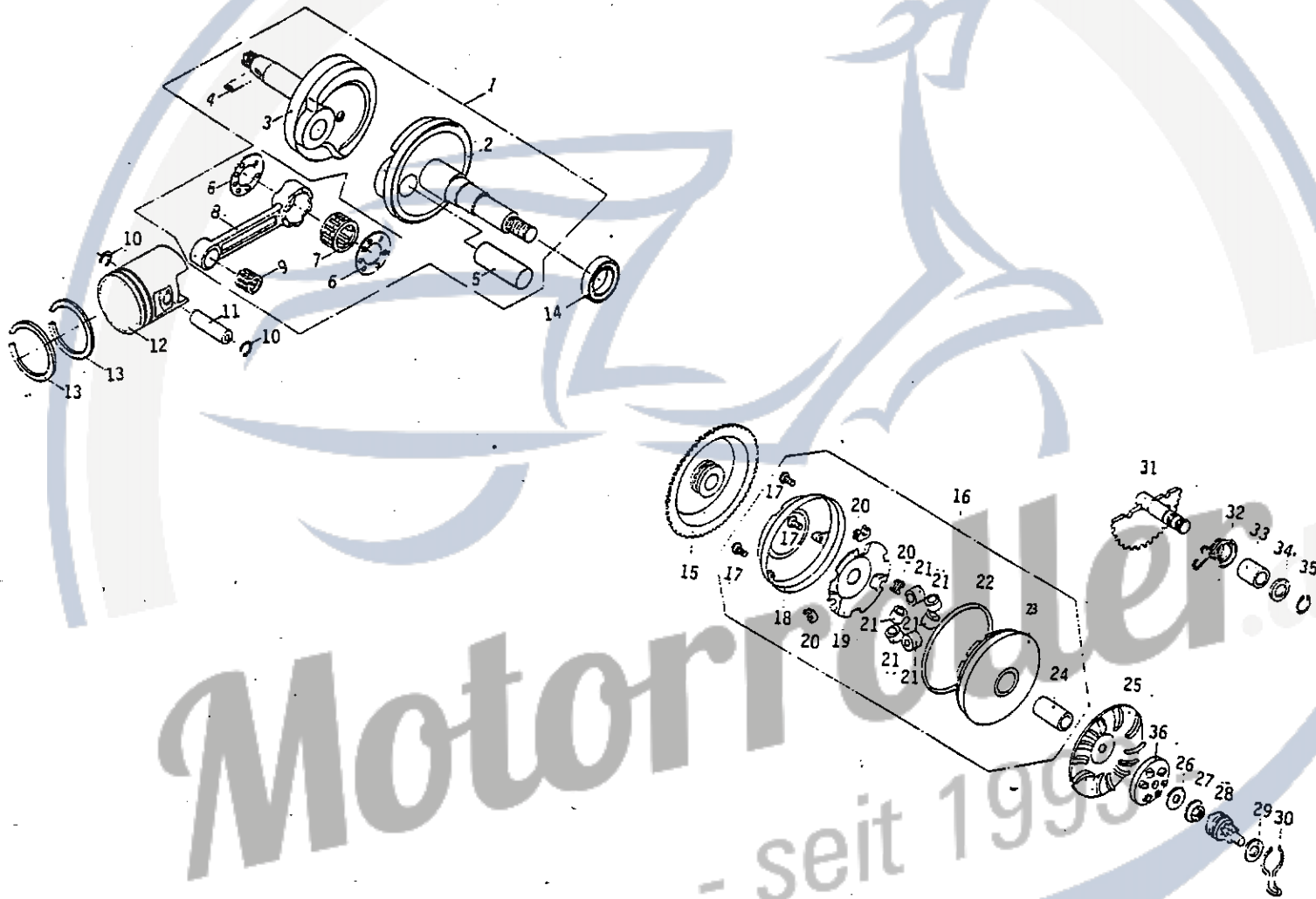


Fig4 TRANSMISSION-L.H COVER KICK-STARTER
DRIVEN PULLEY

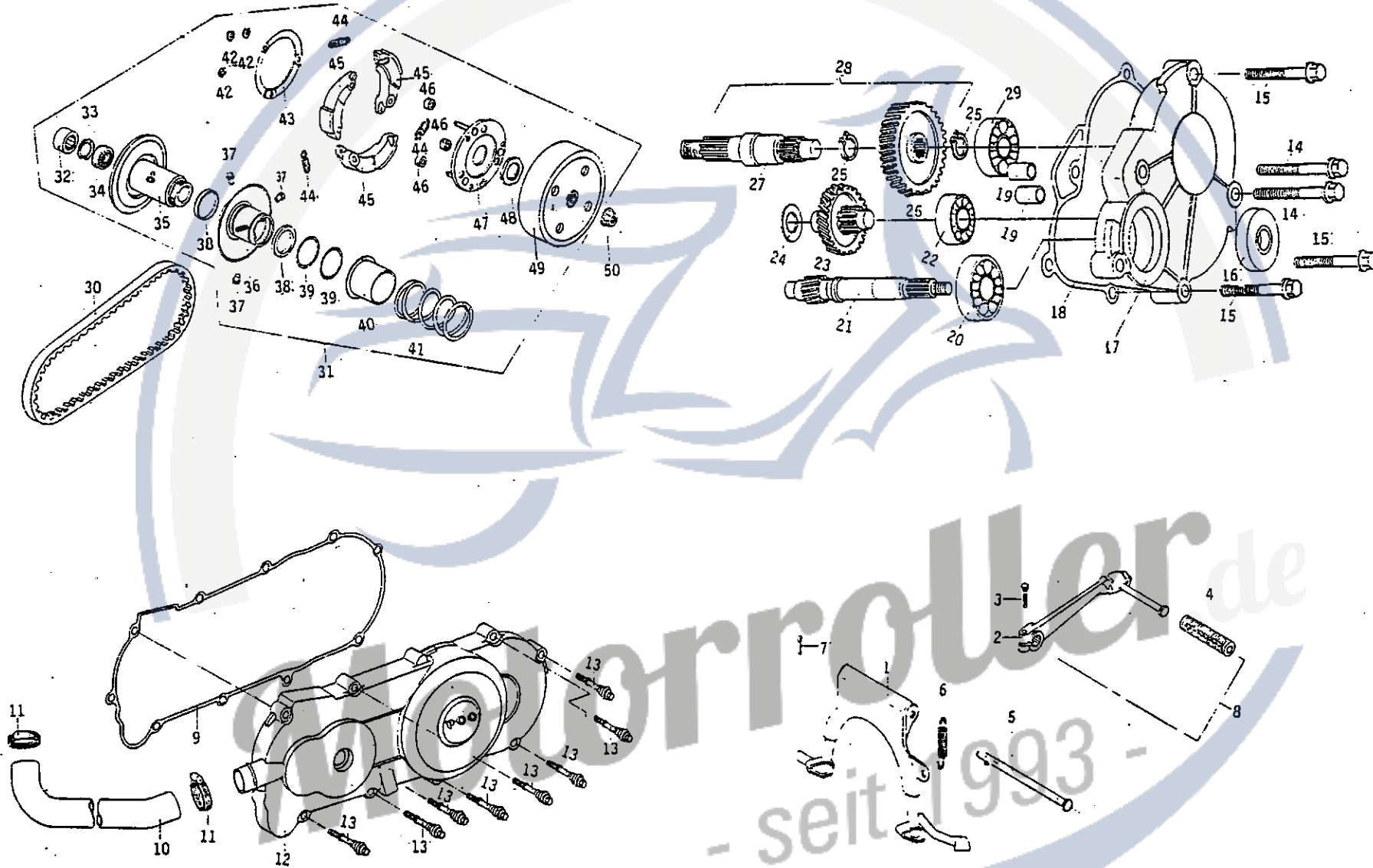


Fig 4

Fig No	Part No.	Quantity	Part Name	Part Name	Remark
項目	零件號碼	數量	零件英文名稱	零件中文名稱	備註
1	B2E146003A9	1	CENTER STAND ASSY	CABALLETE CENTRAL	
2	B3E12501103	1	ARM, KICK STARTER	PEDAL ARRANQUE	
3	B4000012616	1	FASTENING BOLT, KICK STARTER	TORNILLO CIÉRRE PEDAL ARRANQUE	
4	B4E12500901	1	RUBBER PAD, KICK STARTER	GOMA PEDAL ARRANQUE	
5	B4000016425	1	CTR STD FIXING PIN	EJE CABALLETE	
6	B4000016417	1	SPRING	MUELLE	
7	BS352081006	1	SPLIT PIN	SEGURO EJE	
8	B4E125005A4	1	ARM COMP, KICK STARTER	PEDAL ARRANQUE COMPLETO	
9	B2E10601805	1	GASKET, LH SIDE COVER	JUNTA TAPA CARTER	
10	B1E10603003	1	BREATHER PIPE	TUBO RESPIRADERO	
11	B4000046073	2	HOSE CLAMP	ABRAZADERA	
12	BOE10601403	1	LH SIDE COVER	TAPA CARTER	
13	B4E10602804	8	DAMPING SCREW	TORNILLO TAPA CARTER	
14	B4000027885	2	HEXAGON FLANGE BOLT	TORNILLO HEXAGONAL BRIDA	
15	B4000025858	3	HEXAGON FLANGE BOLT	TORNILLO HEXAGONAL BRIDA	
16	B4E11401004	1	OIL SEAL TC TYPE	RETEN	
17	B1E11400106	1	TRANSMISSION COVER	TAPA DE TRANSMISION	
18	B3E11400907	1	TRANSMISSION COVER GASKET	JUNTA TAPA DE TRANSMISION	
19	B4000012403	2	LOCK PIN	PERNO	
20	BS651155008	1	BALL BEARING	COJINETE DE BOLAS	
21	B3E1140040A	1	DRIVE SHAFT	EJE CONDUCTOR	
22	BS65109900A	1	BALL BEARING	COJINETE DE BOLAS	
23	B4E114006A3	1	IDLE GEAR COMP	ENGRANAJE LIBRE COMPLETO	
24	B4000012675	1	SPECIAL WASHER	ARANDELA ESPECIAL	
25	BS217009001	2	RETAINING RING C TYPE	CIRCLIP	

Fig4 TRANSMISSION-L.H COVER KICK-STARTER
DRIVEN PULLEY

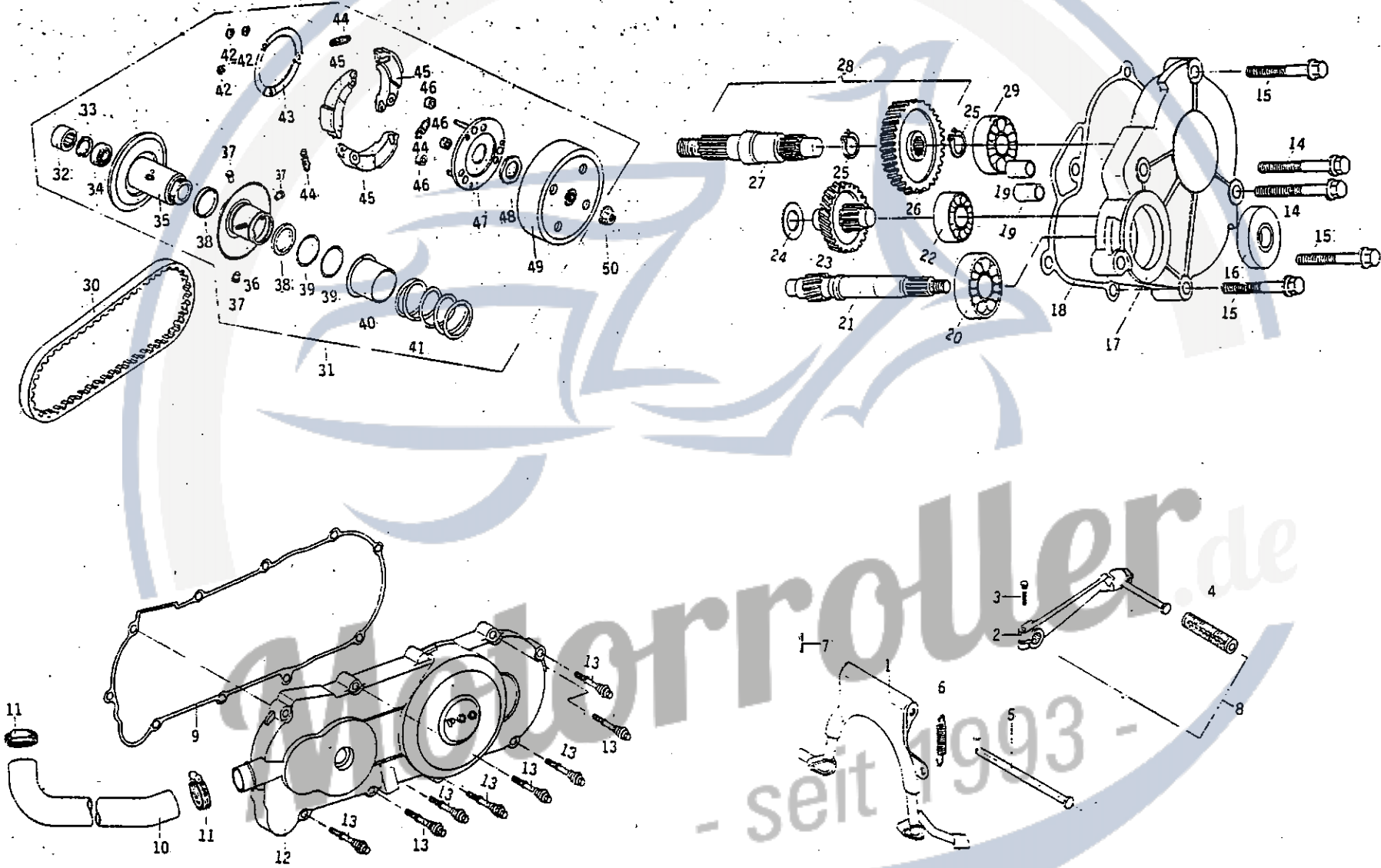


Fig 4

Fig No	Part No.	Quantity	Part Name	Part Name	Remark
項目	零件號碼	數量	零件英文名稱	零件中文名稱	備註
26	B3E11400508	1	FINAL GEAR	ENGRANAJE FINAL	
27	B3E11400702	1	FINAL SHAFT	EJE FINAL	
28	B4E114008A8	1	FINAL GEAR COMP	ENGRANAJE FINAL COMPLETO	
29	BS651154001	1	BALL BEARING	COJINETE DE BOLAS	
30	B4E11202303	1	BELT	CORREA	
31	B4E112019A2	1	DRIVEN FACE ASSY	CARA CONDUCTORA COMPLETA	
32	B4E11203903	1	NEEDLE BEARING	COJINETE DE AGUJAS	
33	BS216014001	1	RETAINING RING C TYPE	CIRCLIP	
34	BS653005003	1	DEEP GROOVE BALL BEAR TWO SEAL	COJINETE DE BOLAS DOBLE	
35	B4E112010A7	1	BODY COMP, DRIVEN FACE	CUERPO COMPLETO CARA CONDUCTORA	
36	B4E112014A6	1	BODY COMP, MOVABLE DRIVEN FACE	CUERPO COMP. CARA CONDUCTORA MOVIL	
37	B4E1120240A	3	PIN, GUIDE ROLLER	PERNO GUIA	
38	B4E11203806	2	OIL SEAL TC TYPE	RETEN	
39	B4E11203709	2	O RING	ARO TORICO	
40	B4E11201803	1	SEALED SOCKET	CAPUCHON	
41	B3E11203605	1	DRIVEN FACE SPRING	MUELLE CARA CONDUCTORA	
42	BS218010003	3	RETAINING RING E TYPE	CIRCLIP	
43	B4E11203300	1	FIXED PLATE, DRIVE	PLETINA DE PRESION EMBRAGUE	
44	B4E11202508	3	SPRING, CLUTCH	MUELLE EMBRAGUE	
45	B3E11203206	3	WEIGHT SET, CLUTCH	ZAPATAS EMBRAGUE	
46	B4E11202800	3	DAMPER RUBBER, CLUTCH	RODILLOS DE GOMA EMBRAGUE	
47	B4E112034A9	1	BODY COMP, DRIVE PLATE	CUERPO COMPLETO PLETINA CONDUCTORA	
48	B4E11202605	6	WEIGHT ROLLER	TUERCA	
49	B3E112020A7	1	OUTER BODY COMP, CLUTCH	CUERPO EXTERIOR EMBRAGUE COMP.	
50	BS20401000A	1	HEXAGON FLANGE NUT	TUERCA HEXAGONAL DE BRIDA	

**Fig5 FUEL TANK FUELGAUGE
OIL-TANK OIL GAUGE AIR CLEANER**

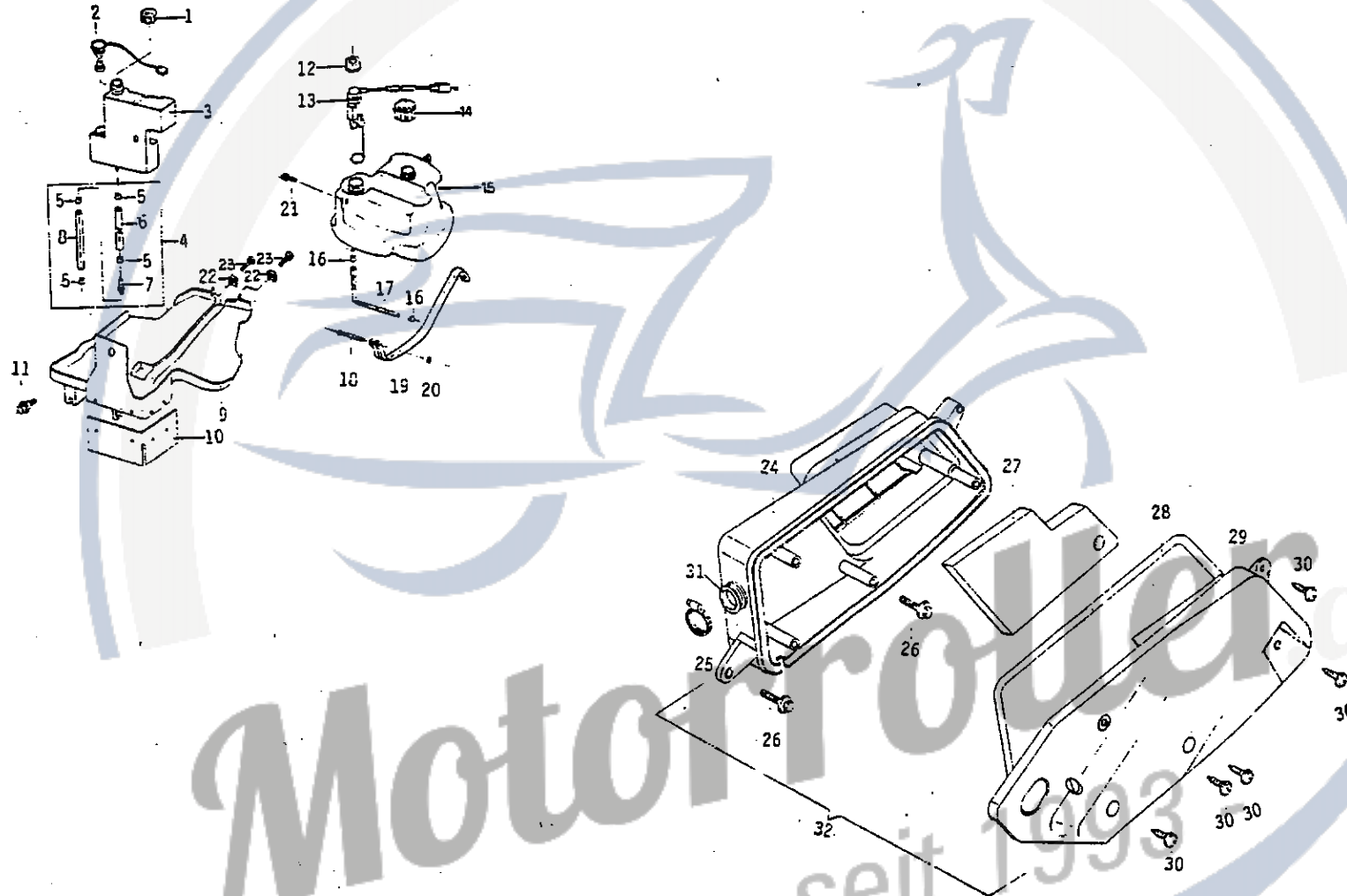
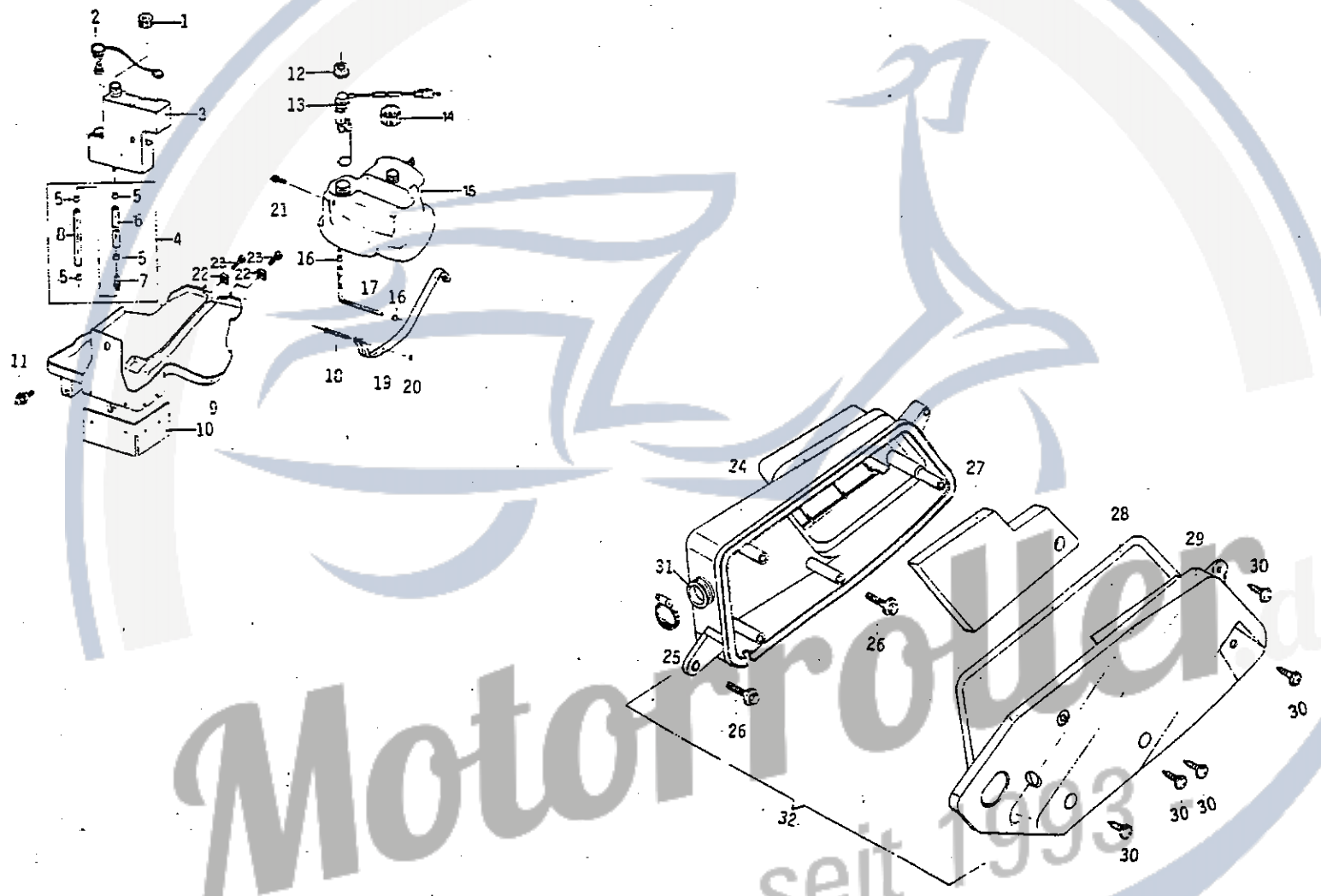


Fig 5

Fig No	Part No.	Quantity	Part Name	Part Name	Remark
項目	零件號碼	數量	零件英文名稱	零件中文名稱	備註
1	B3000010218	1	OIL TANK COVER	TAPON DEPOSITO ACEITE	
2	B3E152005A5	1	OIL SENSOR COMP	SENSOR ACEITE COMPLETO	
3	B1E15200101	1	OIL TANK	DEPOSITO ACEITE	
4	B3000020701	1	OIL FILTER COMP	FILTRO ACEITE COMPLETO	B3E152026A5
5	B4000045212	4	HOSE CLAMP	ABRAZADERA	
6	B9000015820	1	OIL HOSE	TUBO DE ACEITE	B9E15202709
7	B9000015838	1	FILTER	FILTRO	
8	B9000015846	1	OIL HOSE	TUBO DE ACEITE	B9E15202806
9	B0E1690010A	1	RR FENDER	GUARDABARROS TRASERO	
10	B4E16900203	1	DUSTPROOF PLAT	GUARDAPOLVO	
11	B4E16300303	1	HEX FL SECTIONAL BOLT	TORNILLO HEXAGONAL	
12	B4E15200402	1	FUEL SENSOR COVER	TAPON SENSOR GASOLINA	
13	B2E152011A6	1	FUEL GAGE ASSY	NIVEL GASOLINA	
14	B3E152006A2	1	FUEL TANK COVER ASSY	TAPON DEPOSITO GASOLINA	
15	B0E15201306	1	FUEL TANK	DEPOSITO DE GASOLINA	
16	B4000010923	2	PIPE CLIP	ABRAZADERA	
17	B4E15201204	1	FUEL HOSE	TUBO DE GASOLINA	B4E15201506
18	B4E14204501	1	FIXING SHAFT	PASADOR FIJACION	
19	B3E14204602	1	FUEL TANK SUPPORTING PLATE	PLETINA SOPORTE DEPOSITO GASOLINA	
20	B4000010664	1	E CLIP	CLIP	
21	B4100025955	1	HEX FL BOLT	TORNILLO HEXAGONAL DE BRIDA	
22	B4000021585	2	U-TYPE LOCK NUT	TUERCA	
23	B4000021682	2	SPECIAL SCREW	TORNILLO ESPECIAL	
24	B1E12600605	1	BODY, AIR CLEANER	CUERPO FILTRO DE AIRE	
25	B4000046073	1	CLAMP	ABRAZADERA	

**Fig5 FUEL TANK FUELGAUGE
OIL-TANK OIL GAUGE AIR CLEANER**



**Fig6 FRAME
SEAT-CARRIER LUGGAGE**

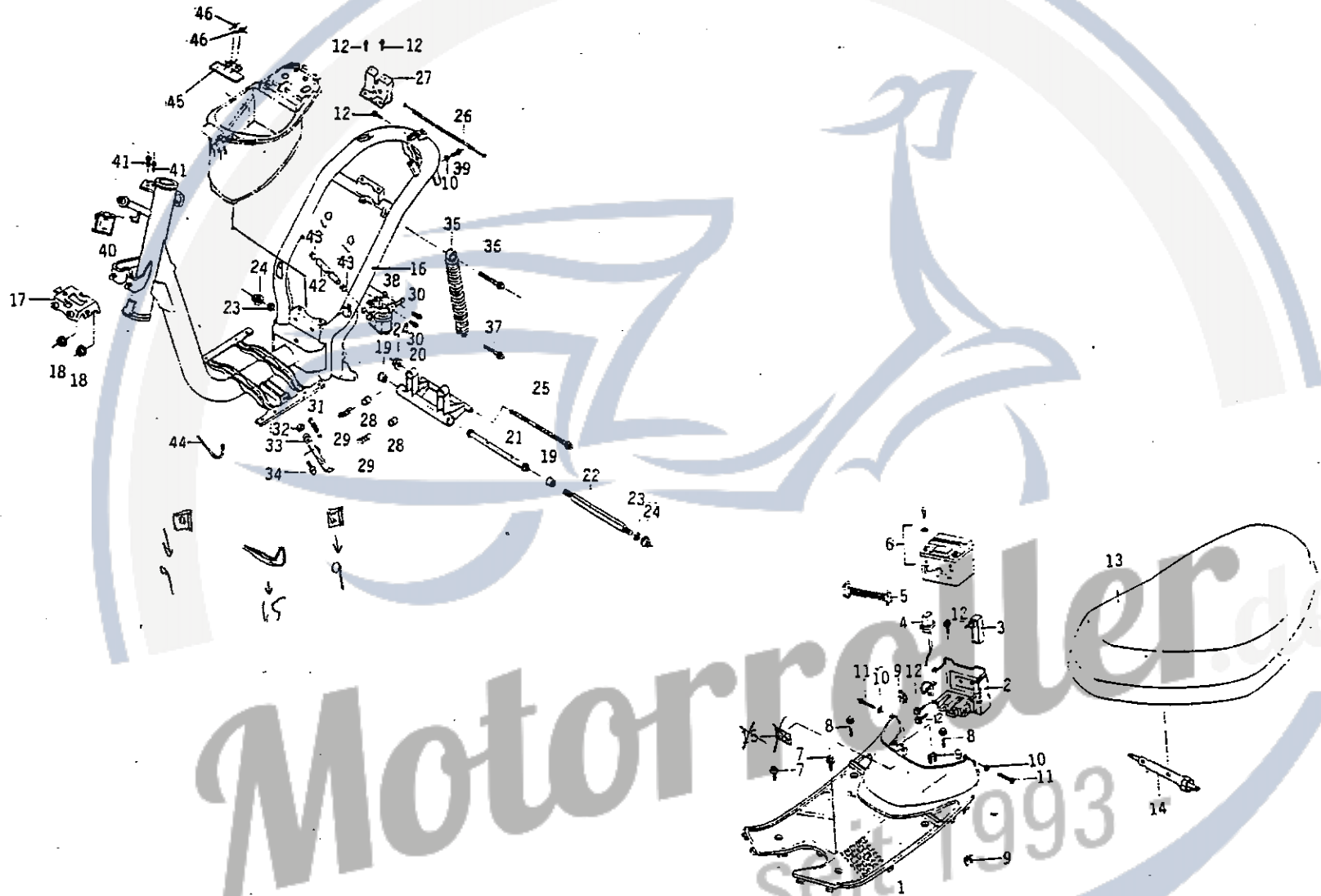


Fig 6

Fig No	Part No.	Quantity	Part Name	Part Name	Remark
項目	零件號碼	數量	零件英文名稱	零件中文名稱	備註
1	B0E16400108	1	STEP FLOOR	REPOSAPIES	
2	B2E1580020A	1	BATTERY BRACKET	SOPORTE DE BATERIA	
3	B3E1580100A	1	CDI UNIT COMP	UNIDAD CDI COMPLETA	
4	B3000010595	1	STARTER RELAY COMP	RELE DE ARRANQUE	
5	B4000016255	1	BETTERY BELT	CINCHA BATERIA	
6	B2E158003A1	1	BATTERY	BATERIA	B9E158016A4
7	B4000025912	2	HEXAGON FLANGE BOLT	TORNILLO HEXAGONAL DE BRIDA	B4-25807
8	B4000025807	2	HEX FL BOLT	TORNILLO HEXAGONAL DE BRIDA	13
9	B4E16800900	35	U-TYPE LOCK NUT SPRING NUT	TUERCA DE CIERRE	B4-16379
10	B4000043678	32	WASHER HOSE CLAMP	ARANDELA	
11	B4000042345	2	FLAT ROUND HD SCREW	TORNILLO	B5005113003
12	B4000025955	6	HEXAGON FLANGE BOLT	TORNILLO HEXAGONAL DE BRIDA	
13	B0E167008A4	1	SEAT COMP	SILLIN COMPLETO	
14	B4E167011A5	1	DISMOUNT TOOL COMP	HERRAMIENTAS COMPLETAS	
15	B3000017859	16	ADHESIVE PAPER, NOTICE	ADHESIVO DE INFORMACION	B4-17324
16	B0E142003A0	1	FRAME COMP	BASTIDOR COMPLETO	
17	B2E142004A8	1	FENDER FIXING BRACKET ASSY	SOPORTE DE GUARDABARROS	
18	BS204003004	2	HEX FL NUT	TUERCA HEXAGONAL BRIDA	
19	B4E14800406	12	SPEC DAMPING BUSH	STLENBLOK	
20	B2E148003A8	1	KNEE LEVER WELDING ASSY	PALANCA DE ARTICULACION	
21	B4E148009A4	1	SPACING BUSH ASSY	CASQUILLO SEPARADOR	
22	B4E14800805	1	STUD BOLT	TORNILLO PASADOR	
23	B4E12501207	2	PLAIN WASHER	ARANDELA PLANA	
24	B4000046022	3	FL U-TYPE NUT	TUERCA BRIDA	
25	B4E14800708	1	WASHER	ARANDELA	

**Fig6 FRAME
SEAT-CARRIER LUGGAGE**

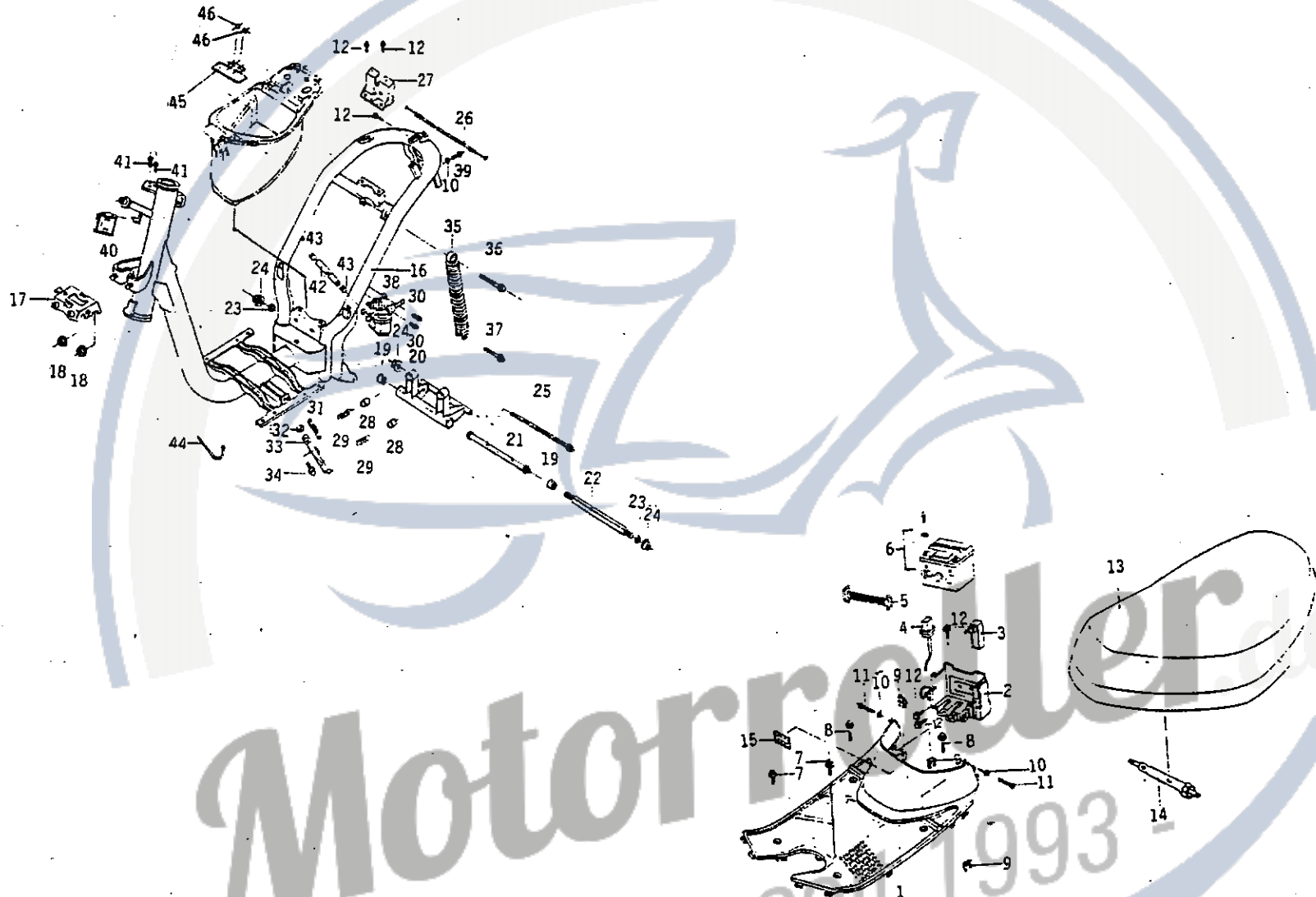


Fig 6

Fig No	Part No.	Quantity	Part Name	Part Name	Remark
項目	零件號碼	數量	零件英文名稱	零件中文名稱	備註
26	B4E16700204	1	SEAT LOCK LEVER CABLE	CABLE CERRADURA SILLIN	
27	B3E167003A6	1	SEAT LOCK FIXING BRACKET ASSY	FIJACION SILLIN	
28	B4E24806208	2	RUBBER, DAMPER	TOPE DE GOMA	
29	B4E1480060A	2	SPRING, COMPRESSION	MUELLE DE COMPRESION	
30	B4000025815	2	HEXAGON FLANGE BOLT	TORNILLO HEXAGONAL DE BRIDA	
31	B4000016417	1	SPRING	MUELLE	
32	BS241002000	1	HEX-NUT FLANGE U NUT	TUERCA HEXAGONAL	B 4-46022
33	B2000012796	1	SIDE STAND COMP	CABALLETE CENTRAL COMPLETO	
34	B4000025998	1	HEX FL BOLT	TORNILLO HEXAGONAL DE BRIDA	
35	B3E148001A0	1	RR CUSHION COMP	AMORTIGUADOR TRASERO	B 3-11293
36	B400002589A	1	HEX FL BOLT	TORNILLO HEXAGONAL DE BRIDA	
37	B4000025882	1	HEX FL BOLT	TORNILLO HEXAGONAL DE BRIDA	
38	B2E152003A4	1	AUTO COCK COMP	GRIFO COMPLETO	
39	BS005113003	1	CR ROUND HD MACHINE SCREW	TORNILLO DE CABEZA REDONDA	
40	B4E158007A3	1	BLINKER ASSY	CAJA DE INTERMITENCIA	
41	BS010112007	2	CR COUNTER SUNK HD MACH BOLT	TORNILLO RELOJES	
X 42	B400004410A	1	FUEL/OIL HOSE	TUBO GASOLINA/ACEITE	
X 43	B4000010923	2	HOSE CLAMP	ABRAZADERA	
X 44	B4000017324	6	CLIP	CLIP	
X 45	B4E16801205	1	RUBBER GASKET	JUNTA DE GOMA	
X 46	B4000026439	2	CIRCULAR EXTERNAL RINGS	AROS CIRCULARES EXTERIORES	

B4E14206202

1

車身銘牌

B4-23901

2

掛釘

Fig7 L.H/R.H BDDY COVER
BDDY CENTER COVER
LUGGAGE TANK

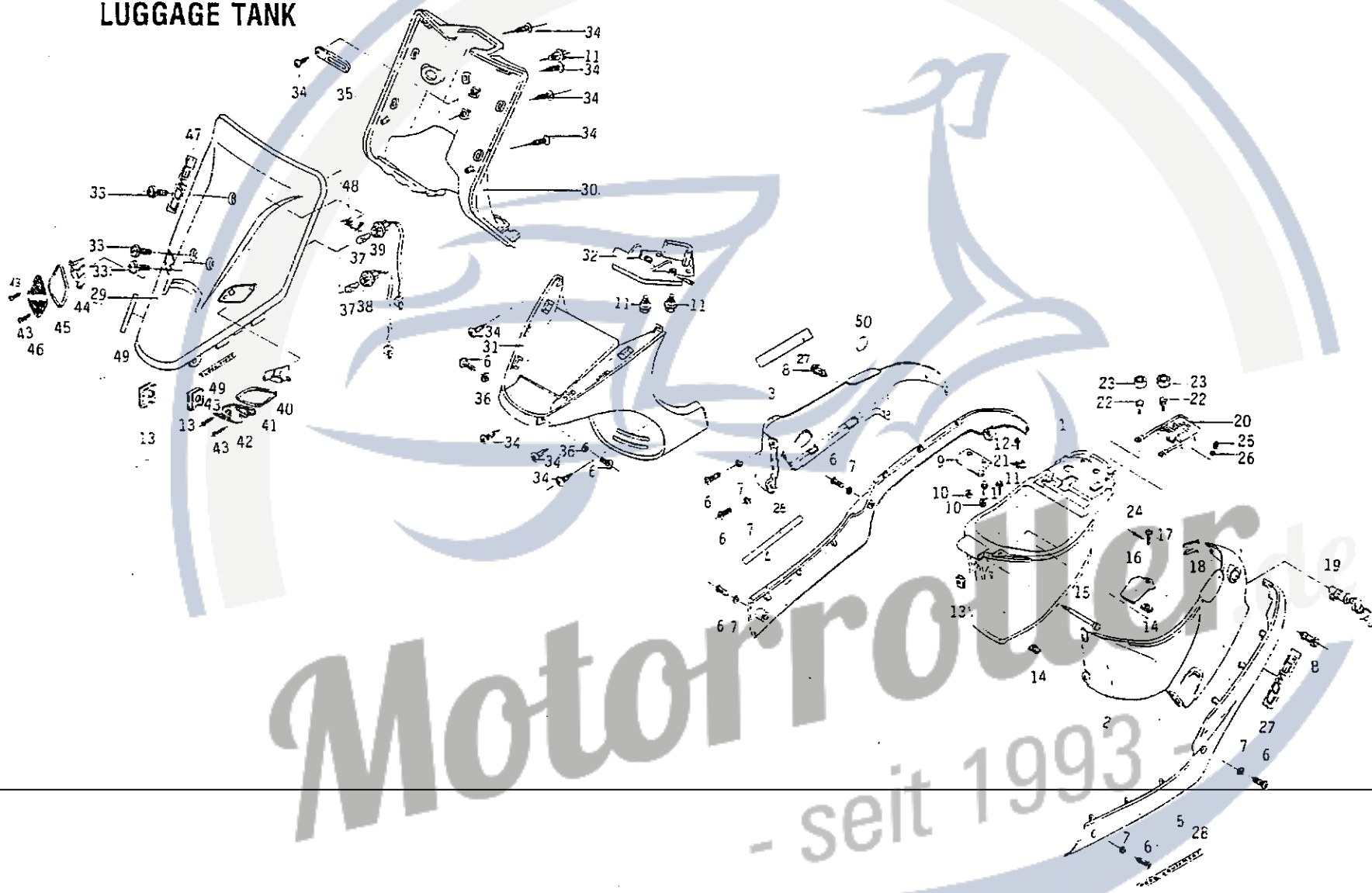


Fig 7

Fig No	Part No.	Quantity	Part Name	Part Name	Remark
項目	零件號碼	數量	零件英文名稱	零件中文名稱	備註
1	BOE168001A8	1	LUGGAGE COMP	COFRE COMPLETO	
2	BOE16500102	1	LH BODY COVER	TAPA COFRE IZQUIERDA	
3	BOE16500200	1	RH BODY COVER	TAPA COFRE DERECHA	
4	BOE16500501	1	RH SIDE STRIP	PARAGOLPES. IZQUIERDA	
5	BOE16500404	1	LH SIDE STRIP	PARAGOLPES. DERECHA	
6	BS007102009	48	CR FLAT HD MACH SCREW	TORNILLO CABEZA PLANA	B4-25637
7	B4000010672	26	CR ROUND HD TAPPING SCREW PLANE WASHER	ARANDELA PLANA	
8	B4E16601702	2	SCRIVET ASSY	TORNILLO REMACHE	
9	B4E1680100A	1	SEAT CLAMPING DEVICE	BISAGRA SILLIN	
10	BS204003004	3	HEXAGON FLANGE BOLT	TORNILLO HEXAGONAL DE BRIDA	
11	B4E16300303	5	HEX HD SECTIONAL BOLT	TORNILLO HEXAGONAL DE SECCION	
12	B4E16800705	1	PAN HD BOLT W/WASHER	TORNILLO/ARANDELA	
13	B4E16800900	3	U-TYPE LOCK NUT	TUERCA DE CIERRE	
14	B4E16800802	1	SPEC NUT	TUERCA ESPECIAL	
15	B4E16801108	1	SPECIAL BOLT	TORNILLO ESPECIAL	
16	B9E16800308	1	BOTTOM COVER	TAPA DEL FONDO	
17	B4E16800403	1	SPEC BOLT	TORNILLO ESPECIAL	
18	B4000020732	1	FIXING PLATE	PLETINA DE FIJACION	
19	B4E167001A9	1	SEAT LOCK ASSY	CIERRE DE SILLIN	
20	B2E1660080A	1	LUGGAGE BRACKET	PORTA BULTOS	
21	B4E16800608	1	LUGGAGE HOOK	GANCHO COFRE	
22	B4000010346	2	BOLT	TORNILLO	
23	B4000010338	2	SEAT PACKING RUBBER	TOPE GOMA SILLIN	
24	BS35204200A	1	SPLIT PIN	SEGURD.	
25	BS205003016	1	HEXAGON CAP NUT	TUERCA HEXAGONAL	

**Fig7 L.H/R.H BDDY COVER
BDDY CENTER COVER
LUGGAGE TANK**

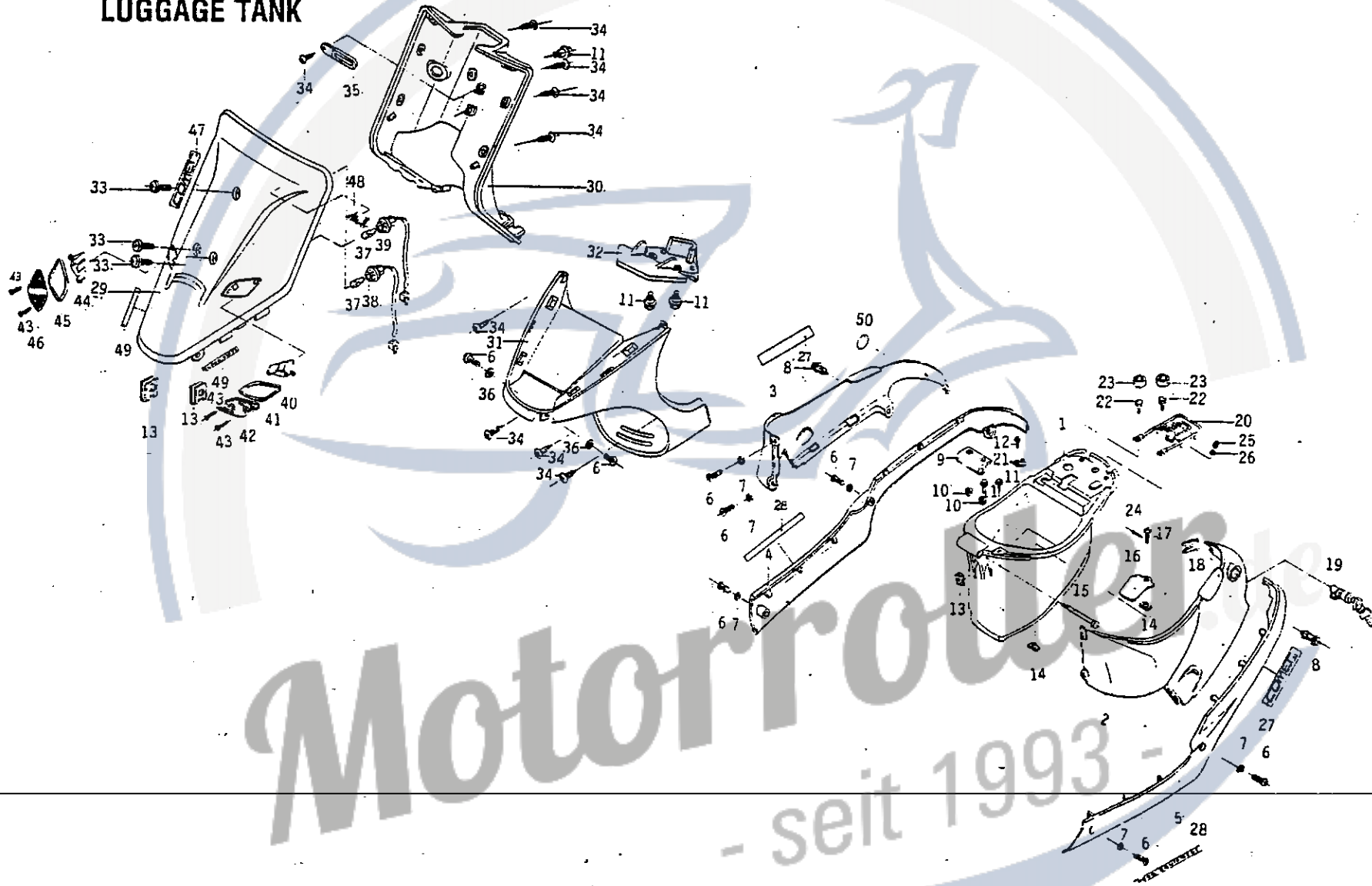


Fig 7

Fig No	Part No.	Quantity	Part Name	Part Name	Remark
項目	零件號碼	數量	零件英文名稱	零件中文名稱	備註
26	B4000043678	1	WASHER	ARANDELA	
27	B3E16000109	2	ADHESIVE PAPER, SIDE COVER	ADHESIVO TAPA COFRE	
28	B3E16000206	2	ADHESIVE PAPER, STRIP	ADHESIVO PARAGOLPES	
29	B0E16200109	1	FENDER	GUARDABARROS	
30	B0E1630020A	1	FRT INNER COVER	TAPA INTERIOR FRONTAL	
31	B0E16200206	1	FRT FENDER	GUARDABARROS FRONTAL	
32	B1E16300100	1	FRT INNER FENDER	GUARDABARROS INTERIOR FRONTAL	
33	B4E162003AA	3	RD HD MACH BOLT W/WASHER ASSY	TORNILLO/ARANDELA CARENADO	
34	B4000047045	10	CR PAN HD TAPPING SCREW	TORNILLO CARROCERIA	
35	B4E1630040A	2	WIRE CLIP	CLIP DE GUIA	
36	B4000010672	2	PLAIN WASHER	ARANDELA PLANA	
37	B9E1660110A	2	BULB	BOMBILLA	
38	B9E166015A1	1	RH FRT SIGNAL LAMP BASE	PORTA LAMPARA INTERM. FRON. IZO.	
39	B9E166014A4	1	LH FRT SIGNAL LAMP SOCKET	" " " " " DCHO.	
40	B3E16200604	1	LH FRT SIGNAL LAMP REFLECTOR	REFLECTOR INTERM. FROM. IZQ.	
41	B4E16200805	1	WATER RESISTING GASKET	JUNTA DE ESTANQUEIDAD	
42	B1E16200407	1	LH FRT SIGNAL LAMP COVER	TULIPA INTERMITENTE FRONT. IZQUI.	
43	B4000025459	4	TAPPING SCREW	TORNILLO	
44	B3E16200701	1	RH FRT SIGNAL LAMP REFLECTOR	REFLEC. INTER. FRONT. DERECHO	
45	B9E16200904	1	RH FRT SIGNAL LAMP GASKET	JUNTA TULIPA INTERM. "	
46	B1E16200504	1	RH FRT SIGNAL LAMP COVER	TULIPA INTERMITENTE "	
47	B3E16000303	1	ADHESIVE PAPER, WINDSHIELD	ADHESIVO "COMET"	
48	B4E16000407	1	ADHESIVE PAPER, WINDSHIELD	ADHESIVO	
49	B4E16000504	2	ADHESIVE PAPER, FRT FENDER	ADHESIVO GUARDABARROS FRONTAL	
50	B4000048157	1	ADHESIVE PAPER, NOISE DB TEST	ADHESIVO TEST DECIBELIOS FONOS	

**Fig8 FRONT FORK-CUSHION
FRON WHEEL
CALIPER**



Fig 8

Fig No	Part No.	Quantity	Part Name	Part Name	Remark
項目	零件號碼	數量	零件英文名稱	零件中文名稱	備註
1	B3E14001302	1	FRT WHEEL AXIAL	EJE RUEDA DELANTERA	
2	B4E14002402	3	FRT BRK DISK BOLT	TORNILLO DISCO DELANTERO	
3	B4E14001503	1	SPACER	SEPARADOR	
4	B3E14000802	1	FRT BRAKE DISK	DISCO	
5	B4000024681	1	TC TYPE OIL SEAL	RETEN	
6	BS651152009	2	DEEP GROOVE BALL BEARING	COJINETE DE BOLAS	
7	B4E14003808	3	LOCK NUT	TUERCA DE CIERRE	
8	B1E140004A2	1	FRT WHEEL ASSY	LLANTA DELANTERA	B92140051A3
9	B9000010097	1	OUTER TYRE	CUBIERTA	
10	B9000010089	1	INNER TUBE	CAMARA	
11	B4E140014A8	1	SPACER COMP	SEPARADOR COMPLETO	
12	B2E156001A8	1	SPDMT GEAR ASSY	ENGRANAJE VELOCIMETRO	
13	BS211007007	1	SPRING WASHER	ARANDELA DE PRESION	
14	BS007104001	1	CR FLAT RD HEAD MACH BOLT	TORNILLO CABEZA REDONDA	
15	B4000046022	1	FLANGE U TYPE NUT	TUERCA DEBRIDA	
16	B1E140016B1	1	FRT BRAKE COMP	PINZA FRENA COMPLETO	
16	B1E140016A3	1	FRT BRAKE COMP	PINZA FRENO COMPLETO	
17	B9E14003109	1	PAD	PASTILLA DE FRENO	
17	B9E14003303	1	PAD	PASTILLA DE FRENO	
18	B9E14003206	1	PAD	PASTILLA DE FRENO	
18	B9E1400340A	1	PAD	PASTILLA DE FRENO	
19	B1E144002A6	1	FRT FORK COMP	HORQUILLA DELANTERA COMPLETA	
20	B4E14400807	1	STEERING SHAFT LOCK NUT	TUERCA DE CIERRE EJE DE DIRECCION	
21	B4000010583	1	UPPER RING-SHAPE NUT	TUERCA ARO SUPERIOR	
22	B400001135A	52	BEARING BALL	BOLA DE RODAMIENTO	

**Fig8 FRONT FORK-CUSHION
FRON WHEEL
CALIPER**

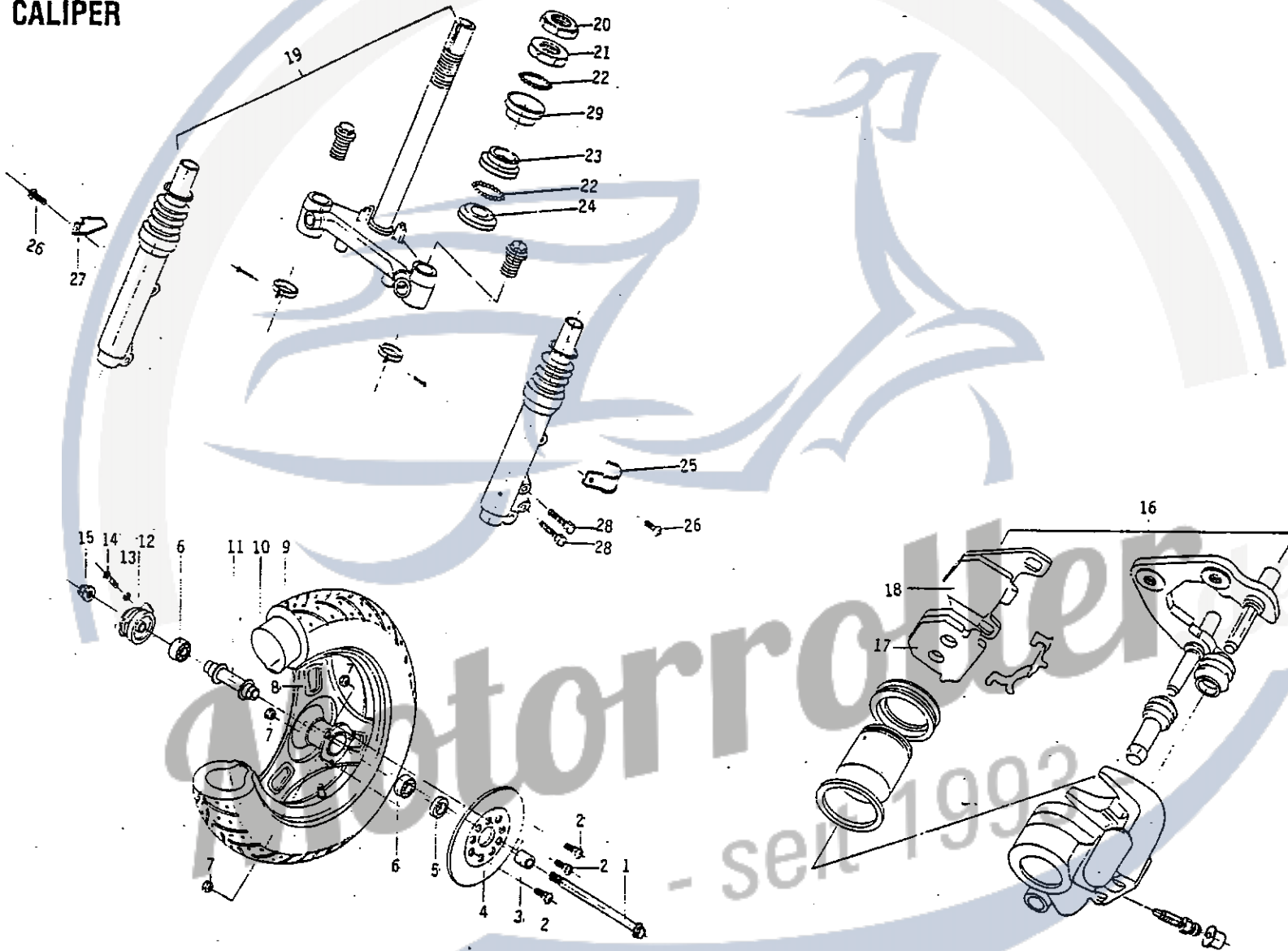


Fig9 HANDLE BAR L.H/R.H BACK MIRROR SPEEDOMETER HEADLAMP L.H/R.H MAIN SWITCH-TRANSMISSION

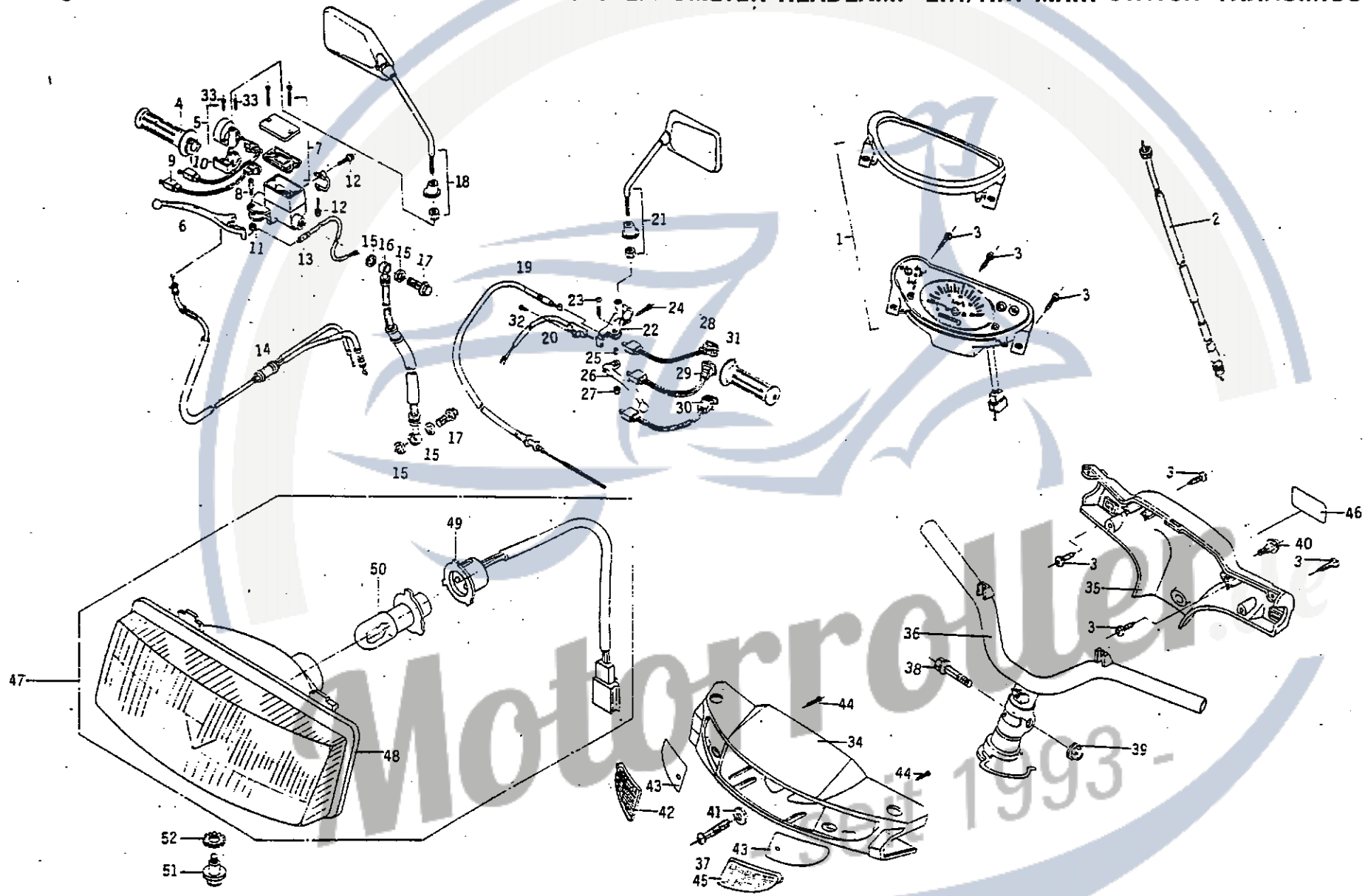


Fig 9

Fig No	Part No.	Quantity	Part Name	Part Name	Remark
項目	零件號碼	數量	零件英文名稱	零件中文名稱	備註
1	B1E156003A6	1	SPDMT COMP	VELOCÍMETRO COMPLETO	
2	B3E154016A8	1	SPDMT CABLE ASSY	CABLE VELOCÍMETRO	
3	B4000047045	7	CR PAN HD TAPPING SCREW	TORNILLO CARROCERIA	
4	B2E154010A8	1	RH GRIP ASSY.	EMPUÑADURA DERECHA	
5	B2E154011A5	1	ACCELERATING PULLEY COMP	PUÑO ACELERADOR COMPLETO	
6	B3E14002104	1	FRT BRAKE LEVER	PALANCA FRENO DELANTERO	
7	B2E140012AA	1	FRT BRAKE MASTER CYLINDER	BOMBA FRENO DELANTERO	
8	B4E14001902	1	BRAKE LEVER FIXING BOLT	TORNILLO PALANCA FRENO	
9	B4E15400100	1	START SWITCH	INTERRUPTOR ARRANQUE	
10	B4E15400401	1	HEAD LAMP SWITCH	INTERRUPTOR LUCES	
11	B4E14002003	1	NYLON SEAL LOCK NUT	TUERCA AUTOFRENANTE	
12	B9E14002200	2	BOLT AND WASHER ASSY	TORNILLO Y ARANDELA	
13	B4000010494	1	SWITCH ASSY	INTERRUPTOR FRENO	
14	B2E154014A7	1	ACCELERATING WIRE COMP	CABLE ACELERADOR COMPLETO	
15	B4E14003506	4	WASHER	ARANDELA	
16	B3E140017A3	1	FRT BRAKE FLUID HOSE COMP	LATIGUILLO FRENO DELANTERO	
17	B4E14003000	2	BRK FLUID HOSE CONN BOLT	TORNILLO RACORD BOMBA	
18	B9E161009A1	1	RH BACK MIRROR	RETROVISOR DERECHO	
19	B3E154015AA	1	RR BRK CABLE COMP	CABLE FRENO TRASERO COMPLETO	
20	B4E154020A7	1	STARTING SAFETY SWITCH COMP	INTERRUPTOR SEGURIDAD ARRANQUE	
21	B9E161010A2	1	LH BACK MIRROR	RETROVISOR IZQUIERDO	
22	B9E15402503	1	SOCKET, BRAKING LEVEL	SOPORTE PALANCA FRENO TRASERO	
23	B9E15402201	1	CR ROUND HD MACHINE SCREW	TORNILLO PALANCA FRENO TRASERO	
24	B9E15402309	1	CR ROUND HD MACHINE SCREW	TORNILLO SOPORTE FRENO TRASERO	
25	B9E15402104	1	SPACER	SEPARADOR	

Fig9 HANDLE BAR L.H/R.H BACK MIRROR SPEEDOMETER HEADLAMP L.H/R.H MAIN SWITCH-TRANSMISSION

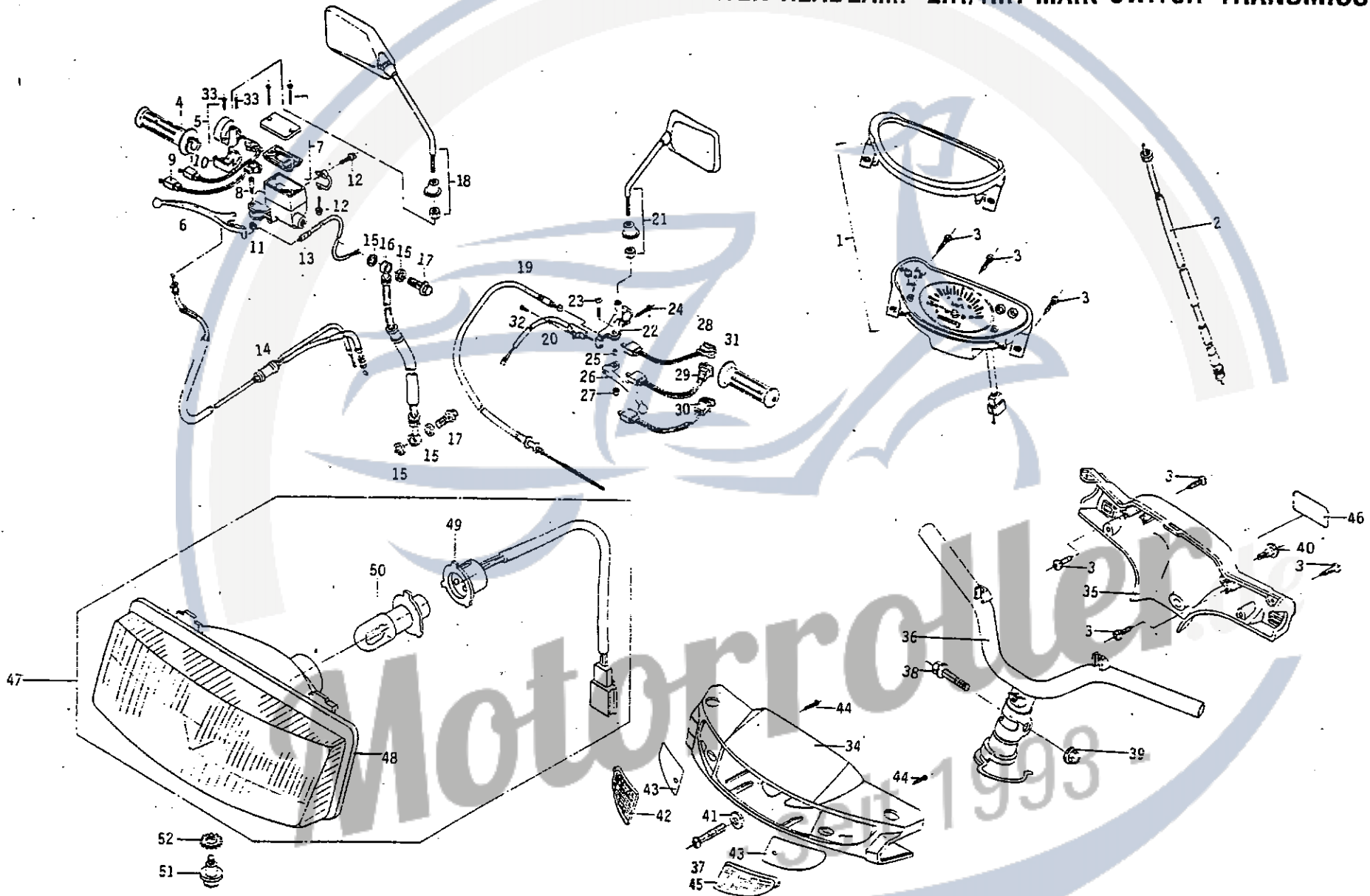


Fig 9

Fig No	Part No.	Quantity	Part Name	Part Name	Remark
項目	零件號碼	數量	零件英文名稱	零件中文名稱	備註
26	B9E15402406	1	LEVEL, BRAKE	PALANCA FRENO	
27	B4000015224	1	LOCK NUT	TUERCA AUTOFRENANTE	
28	B4E15400509	1	HI/LO LAMP SWITCH	INTERRUPTOR LUCES LARGAS/CORTAS	
29	B4E15400207	1	SIGNAL LAMP SWITCH	INTERRUPTOR INTERMITENTES	
30	B4E15400304	1	HORN SWITCH	INTERRUPTOR CLAXON	
31	B3E15400901	1	LH GRIP	EMPUÑADURA IZQUIERDA	
32	B4E15403109	1	CR ROUND HD TAPPING SCREW	TORNILLO CABEZA REDONDA	
33	B9E15401906	1	SCREW	TORNILLO	
34	B1E16100104	1	FRT HANDLE COVER	CUBRE MANILLAR FRONTAL	
35	B0E1610020A	1	REAR HANDLE COVER	CUBRE MANILLAR REVERSO	
36	B1E161003A7	1	HANDLE COMP	MANILLAR COMPLETO	
37	BS004106003	1	CR RD HD MACH BOLT	TORNILLO CABEZA REDONDA	
38	B4E16102102	1	HEX FL BOLT	TORNILLO HEXAGONAL DE BRIDA	
39	B4E16102005	1	HEXAGON LOCK NUT	TUERCA	
40	B4E16100401	1	SCREW	TORNILLO	
41	B4000030410	1	WASHER	ARANDELA	
42	B3E16101606	1	RH ORNAMENT, HEAD LAMP	TULIPA LATERAL FARO, DERECHA	
43	B4E16102209	2	REFLECTING PEICE FRT	REFLECTANTE FRONTAL	
44	B4000019181	2	CR HD RD TAPPING SCREW	TORNILLO CARROCERIA	
45	B3E16101509	1	LH ORNAMENT, HEAD LAMP	TULIPA LATÉRAL FARO, IZQUIERDA	
46	B4E16000601	1	"NOTICE" ADHESIVE LABEL	ADHESIVO INDICACIONES	B4E16003201 (中文)
47	B1E166007A9	1	HEAD LAMP ASSY	FARO COMPLETO	
48	B9E16602000	1	LENS, HEAD LAMP	OPTIGA FARO	
49	B9E16601801	1	SOCKET	PORTALAMPARAS	
50	B9E16601909	1	BULB	LAMPARA	

Fig9 HANDLE BAR L.H/R.H BACK MIRROR SPEEDOMETER HEADLAMP L.H/R.H MAIN SWITCH-TRANSMISSION

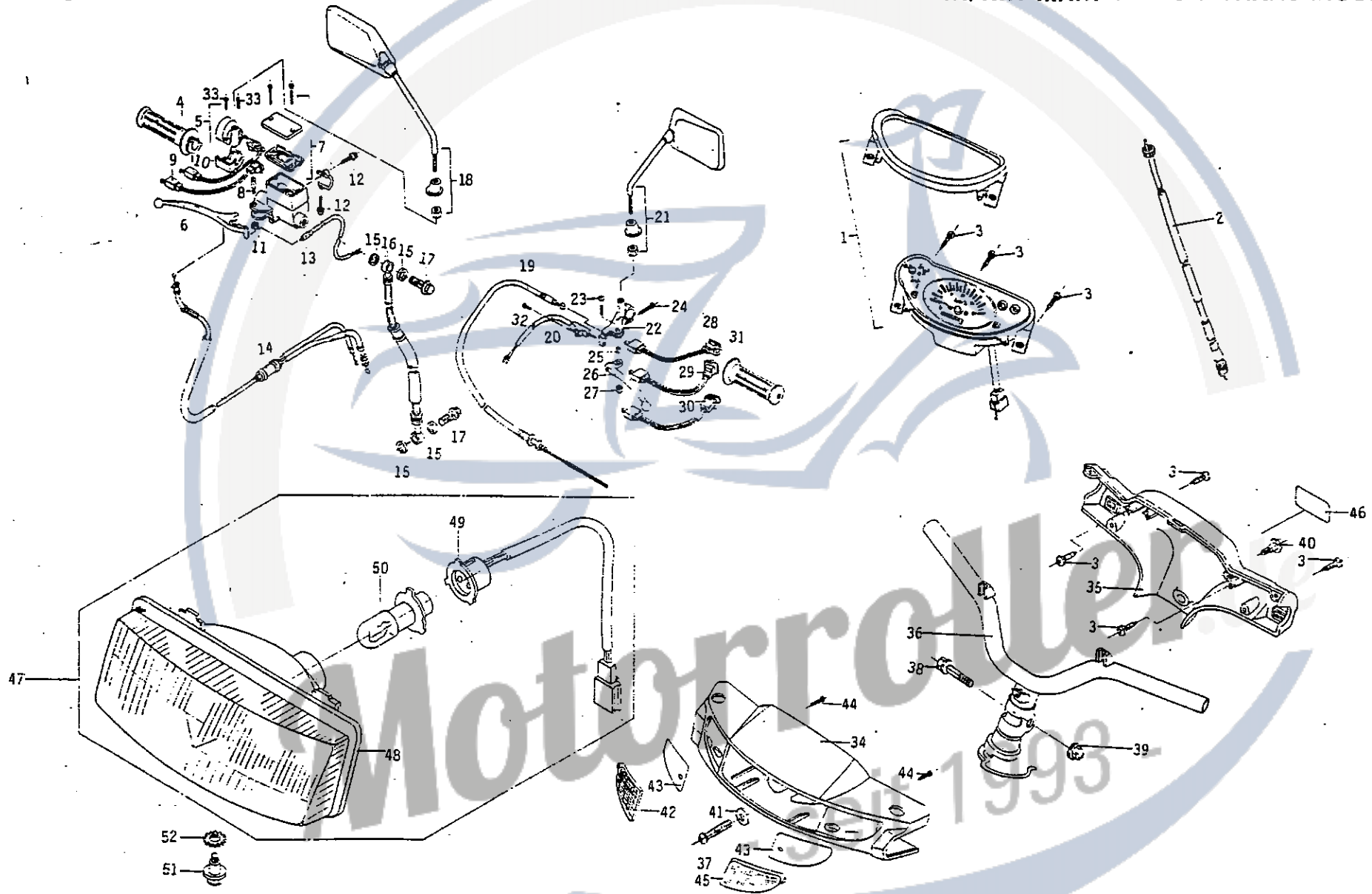
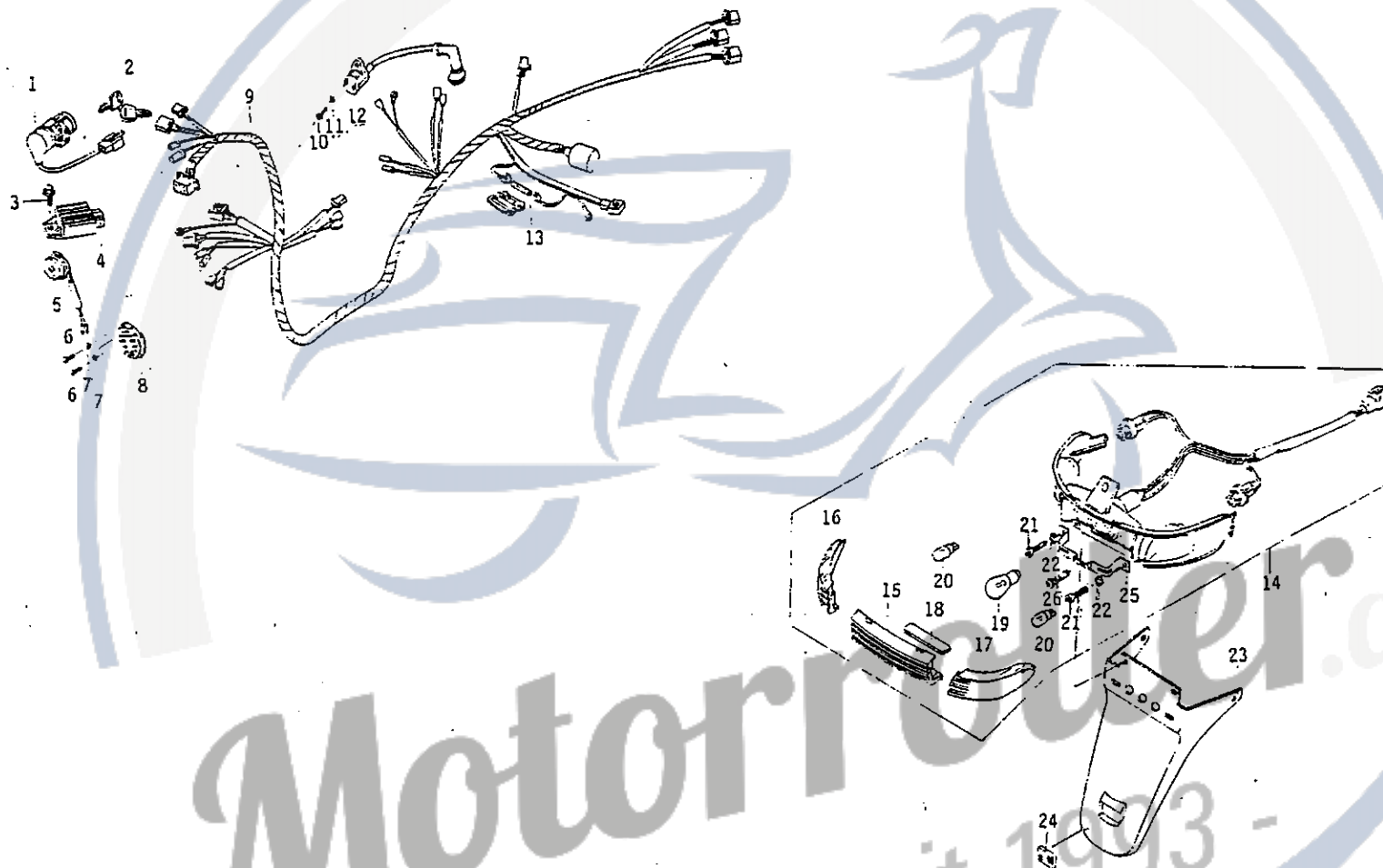


Fig10 WIRE-HARNESS TAIL-LAMP

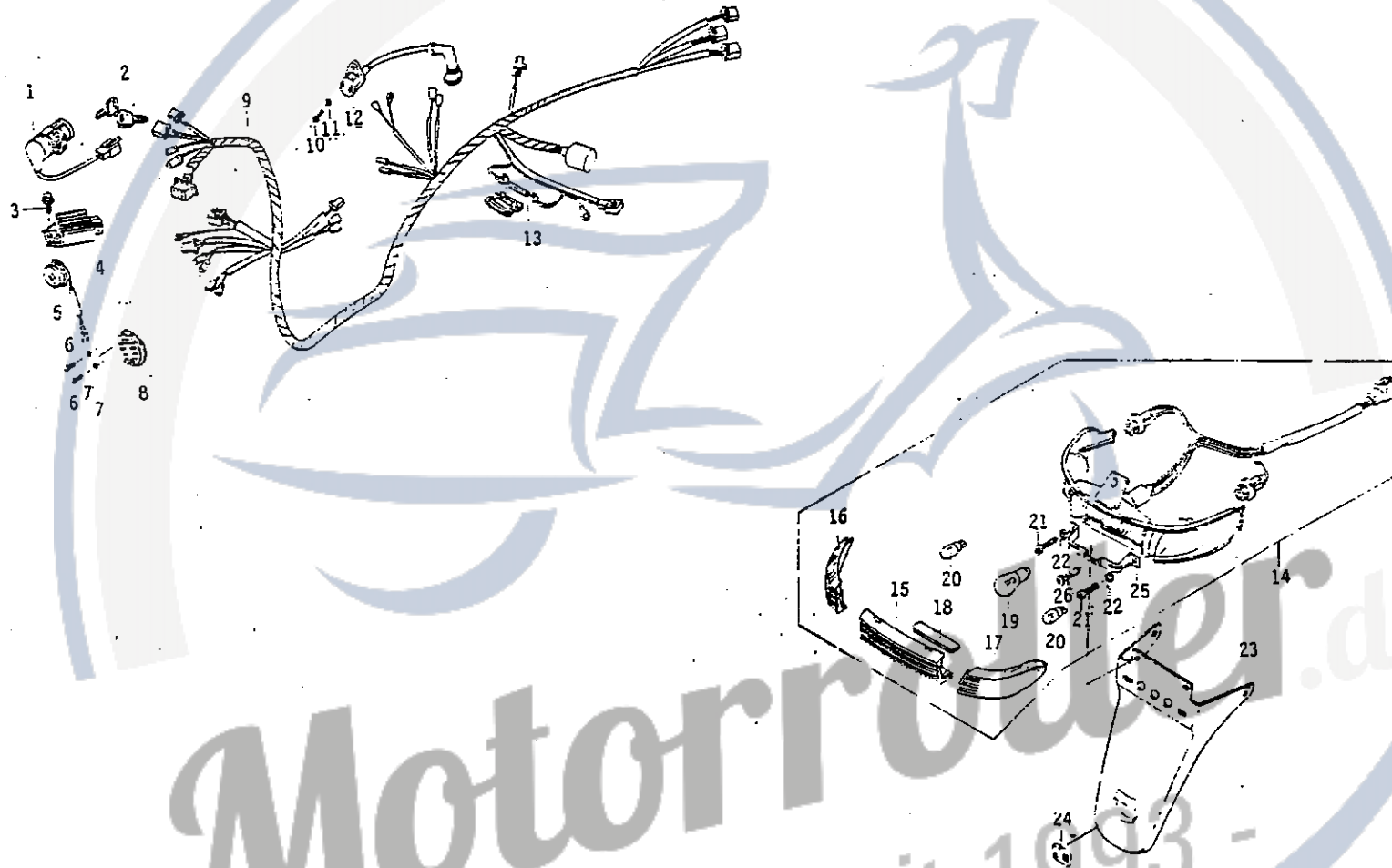


Motorradler.de
- seit 1993 -

Fig 10

Fig No	Part No.	Quantity	Part Name	Part Name	Remark
項目	零件號碼	數量	零件英文名稱	零件中文名稱	備註
1	B300001588A	1	POWER SWITCH	INTERRUPTOR ARRANQUE	
2	B4000046642	2	KEY	LLAVE	
3	B4000041071	1	HEX FL BOLT	TORNILLO HEXAGONAL BRIDA	
4	B3E158005A2	1	VOL REGULATOR COMP	REGULADOR COMPLETO	
5	B4000027460	1	BUZZER & BRACKET COMP	ACUSTICO Y SOPORTE COMPLETO	
6	BS005052004	2	CR RD HD MACH BOLT	TORNILLO CABEZA REDONDA	
7	BS211003001	2	SPRING WASHER	ARANDELA DE PRESION	
8	B3000013608	1	HORN	CLAXON	
9	B2E158004A9	1	WIRE HARNESS	CABLES INSTALACION ELECTRICA	
10	BS007104001	1	CR FLAT RD HD MACHINE BOLT	TORNILLO CABEZA REDONDA	
11	BS211007007	1	SPRING WASHER	ARANDELA DE PRESION	
12	B3E158001A3	1	COIL COMP, IGNITION	BOBINA COMPLETA	B7E/580/3128
13	B4E158006A6	1	FUSE	FUSIBLE	
14	B2E166001A1	1	RR LAMP ASSY	PILOTO TRASERO COMPLETO	
15	B2E16600304	1	RR LAMP COVER	TULIPA PILOTO	
16	B2E16600509	1	LH RR SIGNAL LAMP COVER	TULIPA INTERMITENTE IZQUIERDO	
17	B2E16600401	1	RH RR SIGNAL LAMP COVER	TULIPA INTERMITENTE DERECHO	
18	B4E16600606	1	LICENSE PLATE LAMO LENSE	PLASTICO ALUMBRADO MATRICULA	
19	B400002009A	1	BULB	LAMPARA	
20	B9E1660110A	2	BULB	LAMPARA	
21	B4000021682	2	SPECIAL SCREW	TORNILLO ESPECIAL	
22	B4000043678	2	WASHER	ARANDELA	
23	B1E16600901	1	LICENCE PLATE	SOPORTE MATRICULA	
24	B4E16601605	1	REFLECTOR	REFLECTOR	
25	B4E16500604	1	FIXTURE SIDE STRIP	ANCLAJE SOPORTE MATRICULA	

Fig10 WIRE-HARNESS TAIL-LAMP



Motorrad.de
- seit 1993 -

NUMBER 號 碼	PAGE 頁 數	NUMBER 號 碼	PAGE 頁 數	NUMBER 號 碼	PAGE 頁 數	NUMBER 號 碼	PAGE 頁 數	NUMBER 號 碼	PAGE 頁 數
BS35204200A	26								
BS352081006	14								
BS65109900A	14								
BS651152009	30								
BS651153005	2								
BS651154001	16								
BS651155008	14								
BS653005003	16								
BS653086003	4								
BS659018000	10								
BS660008000	10								

Motorroller.de
- seit 1993 -

NUMBER 號 碼	PAGE 頁 數	NUMBER 號 碼	PAGE 頁 數	NUMBER 號 碼	PAGE 頁 數	NUMBER 號 碼	PAGE 頁 數	NUMBER 號 碼	PAGE 頁 數
B4E125001A0	4	B4E14800406	22	B4E16102102	36	B9000010089	8,30	B9E16800308	26
B4E12600906	20	B4E1480060A	24	B4E16102209	36	B9000010097	8,30	BS004103004	6
B4E12601007	20	B4E14800708	22	B4E162003AA	28	B9000015820	18	BS00410400A	6
B4E12601201	6	B4E14800805	22	B4E16200805	28	B9000015838	18	BS004106003	36
B4E14000701	4	B4E148009A4	22	B4E16300303	18,26	B9000015846	18	BS005052004	40
B4E14001007	8	B4E15200402	18	B4E1630040A	28	B9E14002200	34	BS005112007	32
B4E140011A6	8	B4E15201204	18	B4E16500604	40	B9E14003109	30	BS005113003	24
B4E140014A8	30	B4E15400100	34	B4E16600606	40	B9E14003206	30	BS007075001	10
B4E14001503	30	B4E15400207	36	B4E16601605	40	B9E14003303	30	BS007102009	26
B4E14001805	32	B4E15400304	36	B4E16601702	26	B9E1400340A	30	BS007104001	30,40
B4E14001902	34	B4E15400401	34	B4E167001A9	26	B9E15401906	36	BS010112007	24
B4E14002003	34	B4E15400509	36	B4E16700204	24	B9E15402104	34	BS010114000	8
B4E14002402	30	B4E154020A7	34	B4E167011A5	22	B9E15402201	34	BS204003004	8,22,26
B4E14002500	8	B4E1540290A	8	B4E16800403	26	B9E15402309	34	BS20401000A	2,16
B4E14002801	8	B4E15403001	8	B4E16800608	26	B9E15402406	36	BS205003016	26
B4E14003000	34	B4E15403109	36	B4E16800705	26	B9E15402503	34	BS211003001	40
B4E14003506	34	B4E158006A6	40	B4E16800802	26	B9E161009A1	34	BS211007007	30,40
B4E14003603	32	B4E158007A3	24	B4E16800900	22,26	B9E161010A2	34	BS211008003	6
B4E1400370A	8	B4E16000407	30	B4E16800900	26	B9E16200904	28	BS214010009	8
B4E14003808	30	B4E16000504	30	B4E1680100A	26	B9E1660110A	28,40	BS21400900A	6
B4E14003905	8	B4E16000601	36	B4E16801108	26	B9E166014A4	28	BS216014001	16
B4E14204501	18	B4E16100401	36	B4E16801205	24	B9E166015A1	28	BS217005006	12
B4E1440030A	32	B4E16100509	38	B4E16900203	18	B9E16601801	36	BS217009001	14
B4E14400408	32	B4E16100606	38	B4E2250310A	12	B9E16601909	36	BS218010003	16
B4E14400807	30	B4E16102005	36	B4E24806208	24	B9E16602000	36	BS241002000	24



Motorroller.de

- seit 1993 -

NUMBER 號 碼	PAGE 頁數	NUMBER 號 碼	PAGE 頁數	NUMBER 號 碼	PAGE 頁數	NUMBER 號 碼	PAGE 頁數	NUMBER 號 碼	PAGE 頁數
BOE10601004	4	B1E12600702	20	B2E142004A8	22	B3000015899	22	B3E14001302	30
BOE10601209	4	B1E140004A2	30	B2E146003A9	14	B3000017859	22	B3E140017A3	34
BOE10601403	14	B1E140006A7	8	B2E148003A8	22	B3000020701	18	B3E14002104	34
BOE128001A3	8	B1E140016A3	30	B2E152003A4	24	B3E10600201	4	B3E14002608	8
BOE142003A0	22	B1E140016B1	30	B2E152011A6	18	B3E106003AA	10	B3E14204602	18
BOE15201306	18	B1E144002A6	30	B2E154010A8	34	B3E10600406	10	B3E148001A0	24
BOE1610020A	36	B1E15200101	18	B2E154011A5	34	B3E10600503	10	B3E152005A5	18
BOE16200109	28	B1E156003A6	34	B2E154014A7	34	B3E1080020A	4	B3E152006A2	18
BOE16200206	28	B1E16100104	36	B2E156001A8	30	B3E10800308	4	B3E15400901	36
BOE1630020A	28	B1E161003A7	36	B2E1580020A	22	B3E112001A1	10	B3E154015AA	34
BOE16400108	22	B1E16200407	28	B2E158003A1	22	B3E112002A9	10	B3E154016A8	34
BOE16500102	26	B1E16200504	28	B2E158004A9	40	B3E11200509	10	B3E15402807	32
BOE16500200	26	B1E16300100	28	B2E166001A1	40	B3E1120080A	10	B3E158001A3	40
BOE16500404	26	B1E166007A9	36	B2E16600304	40	B3E112020A7	16	B3E158005A2	40
BOE16500501	26	B1E16600901	40	B2E16600401	40	B3E11203206	16	B3E1580100A	22
BOE167008A4	22	B2000012796	24	B2E16600509	40	B3E11203605	16	B3E16000109	28
BOE168001A8	26	B2E10400109	2	B2E1660080A	26	B3E1140040A	14	B3E16000206	28
BOE1690010A	18	B2E10400303	2	B3000010218	18	B3E14400508	16	B3E16000303	28
B1E10400200	2	B2E10600701	2	B3000010595	22	B3E11400702	16	B3E16101509	36
B1E10600101	2	B2E10601309	10	B3000010650	4	B3E11400907	14	B3E16101606	36
B1E10603003	14	B2E10601805	14	B300001073A	2	B3E12400102	10	B3E16200604	28
B1E11400106	14	B2E108001A9	4	B300001090A	10	B3E125002A6	12	B3E16200701	28
B1E115001A2	6	B2E122001A9	2	B3000011087	2	B3E12501103	14	B3E167003A6	24
B1E126005A0	20	B2E12601101	4	B3000013608	40	B3E12600802	20	B4000010338	26
B1E12500605	18	B2E140012AA	34	B300001588A	40	B3E14000802	30	B4000010346	26



P.G.O.

C/ Masferrer, 1-3
08028 BARCELONA
Tel. (93) 330 34 93
Fax. (93) 490 61 80



Motorroller.de
- seit 1993 -

PART NO. B9E1350040A